

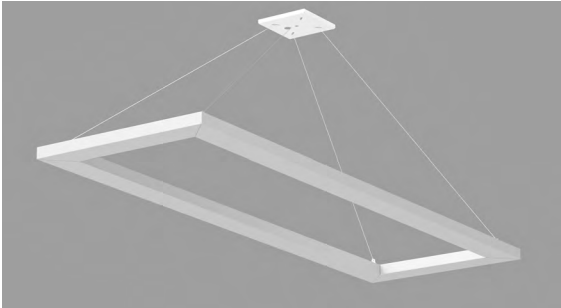
ORY 1x4

PENDANT INDIRECT



LUMENWERX
WWW.LUMENWERX.COM

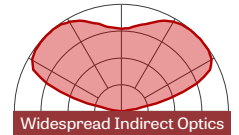
WITH INDIRECT WIDESPREAD



PROJECT: _____
 TYPE: _____
 NOTES: _____

DESCRIPTION

Ory offers widespread, energy efficient lighting from a luminaire just 1" high x 2.5" wide. A remote driver, accessible through the suspension canopy, provides power. Utilizing the Lumenwerx Widespread Indirect Optic (WIO2), Ory delivers peak intensity at 110° while suppressing direct uplight. This produces noticeably smoother ceiling brightness than a typical lambertian uplight distribution, permitting generally wider spacing as well. Ory is available as an indirect pendant, an indirect asymmetric wall luminaire (ADA compliant), and pendant patterns.



up to 145 lm/W performance

ORDER GUIDE

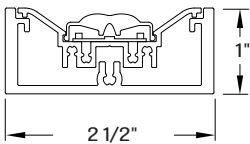
ORYPIPAT	14	WIO2	SW				
LUMINAIRE ID	SIZE	INDIRECT OPTICS	LIGHT SOURCE	CRI	INDIRECT LUMEN PACKAGES	COLOR TEMP.	VOLTAGE
ORYPIPAT - Ory Pendant Indirect Pattern	14 - 1'x4'	WIO2 - Widespread Indirect Optic	SW - Static white	80 - 80CRI 90 - 90CRI	3500 - Ultra low output 3500lm 5000 - Low output 5000lm 7500 - Medium output 7500lm 10000 - High output 10000lm #### - other required lm	27 - 2700K 30 - 3000K 35 - 3500K 40 - 4000K	120 - 120V 277 - 277V UNV - 120V-277V 347 ¹ - 347V

¹ Available with D1 only.

DRIVER	RDB	1	5SAC36	
DRIVER	REMOTE DRIVER BOX	ELECTRICAL	MOUNTING	FINISH
D1 - 1% dimming 0-10V DA ² - DALI LTEA2W - Lutron 1% - 2 wire FP 120V LDE1 ² - Lutron Hi-lume 1% Eco	RDB - Remote Driver Box	1 - 1 circuit	5SAC36 - 5" square canopy (36" aircraft cable) For all other options refer to our Pendant Mounting Guide	W - Matte white B - Matte black CF# - Custom finish, specify RAL#

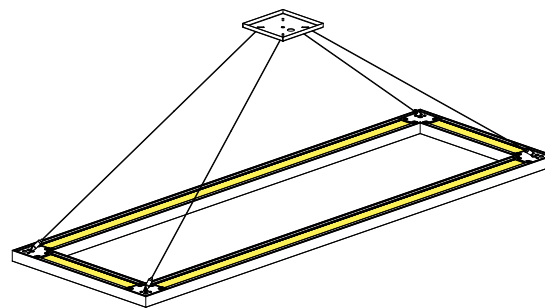
² On-site commissioning is required.

CROSS SECTION



ORYPIPAT - Aircraft cable

3D VIEW



ORYPIPAT - 1'x4'



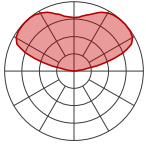
WITH INDIRECT WIDESPREAD

PERFORMANCE

INDIRECT OPTICS

Delivered lumens at 35K at 80 CRI.

WIO2



LM/FT	TOTAL LM	INPUT WATTS	LPW
350	3500	24.3	145
500	5000	35.5	141
750	7500	55.3	136
1000	10000	77	130

MULTIPLIER TABLES

Use these tables to get results for different color temperatures and CRI.

Multiplier - CCT/CRI

CCT (K)	Watts		LPW	
	CRI80	CRI90	CRI80	CRI90
2700	1.05	1.26	0.95	0.79
3000	1.01	1.23	0.99	0.81
3500	1.00	1.20	1.00	0.84
4000	1.00	1.17	1.00	0.85

INDIRECT OPTICS

Widespread Indirect Optic (WIO2)

The Widespread Indirect Optic (WIO2) is a horizontal LED array with a widespread indirect micro prismatic optic that offers an impressive 160° spread. WIO2 creates an even illumination for smooth brightness on the ceiling that can achieve uniformity ratios of up to 2:1.

LIGHT SOURCE - LED

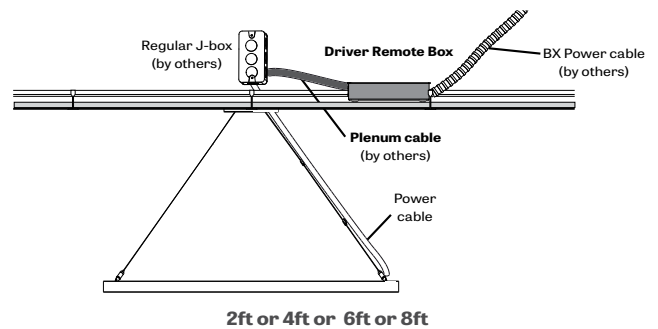
Custom linear array of mid-flux LEDs are cartridge-mounted with thermal management. Available in 2700K, 3000K, 3500K and 4000K with a minimum 80 CRI and an option for 90 CRI with elevated R9 value. Color consistency maintained to within 3 SDCM. LEDs operated at reduced drive current to optimize efficacy and lumen maintenance.

All LEDs have been tested in accordance with IESNA LM-80-08 and the results have shown L80 lumen maintenance greater than 60,000 hours. Absolute product photometry is measured and presented in accordance with IESNA LM-79, unless otherwise indicated.

ELECTRICAL REMOTE

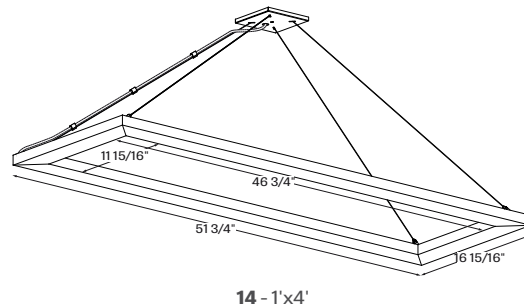
Remote-mounted driver is accessible through ceiling canopy and is provided with factory enclosure. Driver features factory-set adjustable output current with universal (120-277VAC) input. Dimmable from 100% to 1% with 0-10V dimming control. Rated life (90% survivorship) of 50,000 hours at 50°C max. ambient (and 70°C max. case) temperature. At maximum driver load: Efficiency > 84%, PF > 0.9, THD < 20%. Other specifiable options include Lutron Hi-Lume 1% (specify 2-wire or Ecosystem Dim-to-Off), and DALI protocol drivers. All of our standard 0-10V drivers are NEMA 410 compliant.

RDB - REMOTE DRIVER BOX



LUMINAIRE SIZE

Ory patterns is offered in 5 standard sizes.



MOUNTING OPTIONS

Ory pattern mounts from a 5" square canopy using four aircraft cables. Canopy installation determines luminaire alignment. [For all other options, see our website for a detailed Pendant Mounting Guide](#)

FINISH

Interior - 95%, reflective matte powder coated white paint
Exterior - matte white or black powder coating.
 Custom finishes are also available.

WITH INDIRECT WIDESPREAD

CONSTRUCTION

Housing - Extruded aluminum (0.095" nominal) up to 90% recycled content

Interior brackets - Die formed cold rolled sheet steel 16 gauge thick

Joining system - Die cast zinc (0.95" nominal)

Reflectors - Extruded aluminum (0.075" nominal) up to 95% reflective matte

Light guide - Clear PMMA laminated with microstructure film formed into optical TIR/extraction form

End caps - Die cast aluminum (0.95" nominal)

Hanger - Chromed griplock securely attached with spring steel hardware in end caps and/or joiners

Aircraft cable suspension - 7x7 braids aluminum aircraft cable 0.06" thick

WEIGHT

Ory 1x4 - 14.73lbs - 6.68kg

CERTIFICATIONS

ETL - Rated for Indoor Dry/Damp locations. Conforms to UL Standard 1598 and certified to CAN/CSA Standard C22.2 No. 250.0.

WARRANTY

Lumenwerx provides a five-year limited warranty of electrical and mechanical performance of the luminaires, including the LED boards, drivers, and auxiliary electronics. Lumenwerx will repair or replace defective luminaires or components at our discretion, provided they have been installed and operated in accordance with our specifications. Other limitations apply, please refer to the full warranty on our website.