

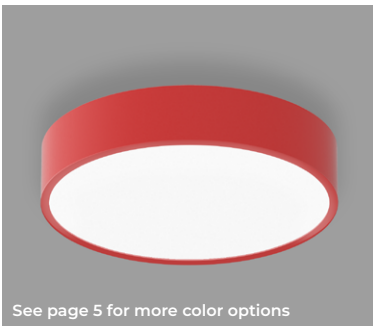
# POP COLOR ROUND 24

# LUMENWERX

SURFACE  
STATIC WHITE



Project: \_\_\_\_\_  
Type: \_\_\_\_\_

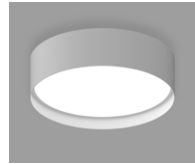


See page 5 for more color options

Flush lens

## DESCRIPTION

POP Color features a painted housing with a uniformly luminous diffuser that sits flush, regressed or drops up to 4" below. The diffuser and light engine form a fully enclosed unit secured by a twist-and-lock mechanism for easy maintenance with no exposed hardware. POP Color delivers up to 109 LPW and is available in nine standard housing colors.



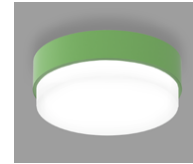
2" regressed lens



1" drop lens



2" drop lens



3" drop lens



4" drop lens

## Order Guide

Up to 109 lm/W performance

| LUMINAIRE ID                    | SIZE         | OPTIC                          | LENS POSITION   | LIGHT SOURCE <sup>1</sup>   | CRI                        | LUMEN PACKAGE  |
|---------------------------------|--------------|--------------------------------|---|---|----------------------------|--|
| <b>PCROS</b>                    | <b>24IN</b>  | <b>ULO</b>                     |   | <b>SW</b>   |                            |  |
| PCROS - Pop Color Round Surface | 24IN - Ø 24" | ULO - Uniform Lambertian Optic | FH - Flush<br>2R - 2" regressed<br>1D - 1" drop<br>2D - 2" drop<br>3D - 3" drop<br>4D - 4" drop | SW - Static white<br><br><sup>1</sup> Chromawerx Sola and Duo also available. Consult other spec sheet. | 80 - 80 CRI<br>90 - 90 CRI | 2500 - Min. low output 2500lm<br>3500 - Medium output 3500lm<br>4500 - Max. high output 4500lm<br>#### - Other required lm |

| COLOR TEMP.  | VOLTAGE  | DRIVER <sup>3</sup>   | ELECTRICAL   | MOUNTING            |
|--|--|---|--|---------------------|
|  |  |   |  | <b>SUR</b>          |
| 27 - 2700K<br>30 - 3000K<br>35 - 3500K<br>40 - 4000K | 120 - 120V<br>277 - 277V<br>UNV - 120V-277V<br>347 <sup>2</sup> - 347V<br><br><sup>2</sup> Available with DI only. | DI - 1% 0-10V<br>DA <sup>4</sup> - DALI<br>LDE1 <sup>4</sup> - Lutron Hi-lume 1% Eco<br>ELD1 - eldoLED 1% ECOdrive 0-10V<br>ELDO - eldoLED 0.1% SOLOdrive 0-10V<br><br><sup>3</sup> PoE (Power-over-Ethernet) compatible. Consult factory for details.<br><sup>4</sup> On-site commissioning is required. | 1 - 1 circuit<br>+EB <sup>5</sup> - Emergency battery pack<br>+GTD <sup>5</sup> - Generator transfer device<br><br><sup>5</sup> Not available with 347V. | SUR - Surface mount |

| FINISH  | OPTIONS   |
|---|---|
| W - Matte white<br>AL - Aluminum<br>BK - Black<br>RAL 1028 - Yellow<br>RAL 2004 - Orange<br>RAL 3020 - Red<br>RAL 4010 - Magenta<br>RAL 5002 - Blue<br>RAL 6018 - Green<br>CF# - Custom finish specify RAL# | FU120 - Fuse 120V<br>FU277 - Fuse 277V<br>NA - None |

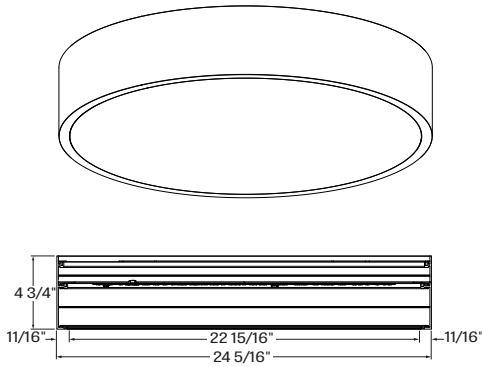
# POP COLOR ROUND 24

# LUMENWERX

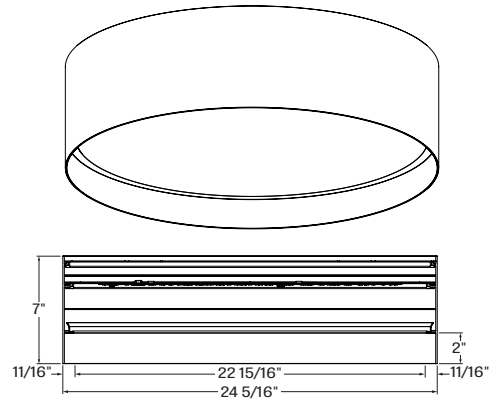
SURFACE  
STATIC WHITE

## Dimensions

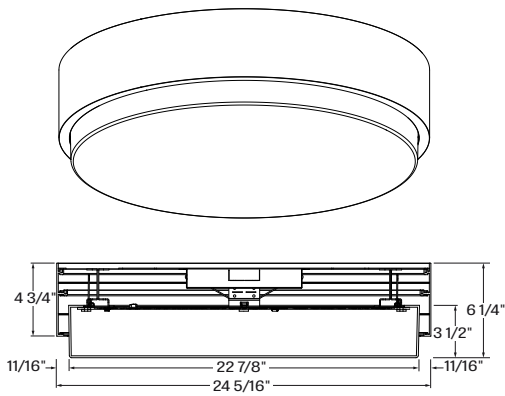
POP COLOR FH - FLUSH



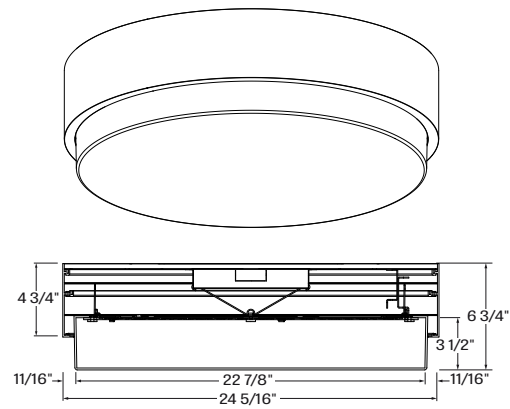
POP COLOR 2R - 2" REGRESSED



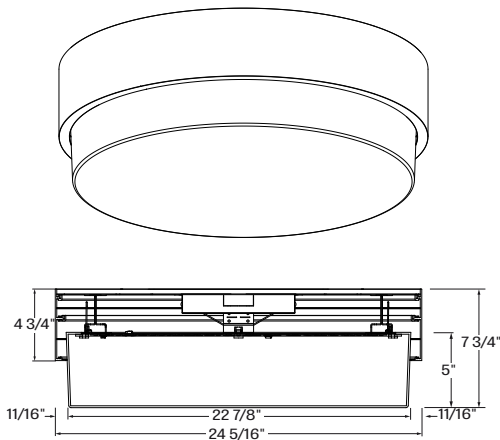
POP COLOR 1D - 1" DROP



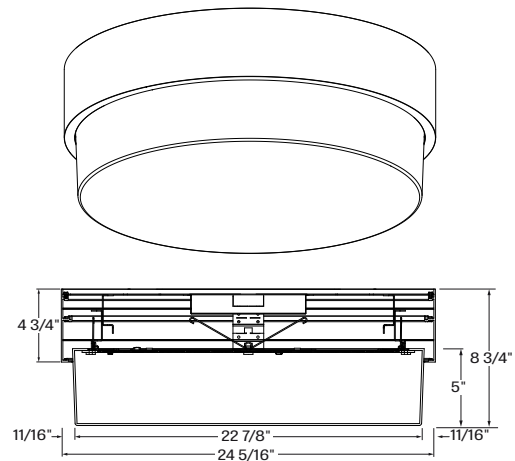
POP COLOR 2D - 2" DROP



POP COLOR 3D - 3" DROP



POP COLOR 4D - 4" DROP

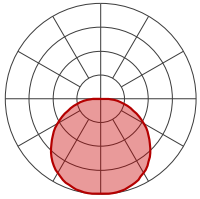


# POP COLOR ROUND 24

# LUMENWERX

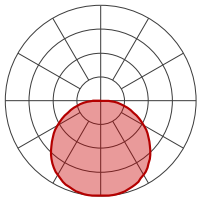
SURFACE  
STATIC WHITE

## Photometrics



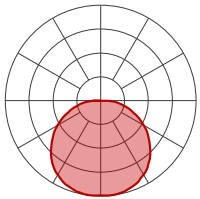
2500 LUMEN AT 80 CRI - LOW OUTPUT

| LED OUTPUT | COLOR TEMP | WATTS | NOMINAL DELIVERED LUMENS | EFFICACY LPW |
|------------|------------|-------|--------------------------|--------------|
| Low output | 2700K      | 25    | 2500                     | 100          |
| Low output | 3000K      | 24.5  | 2500                     | 102          |
| Low output | 3500K      | 23.5  | 2500                     | 106          |
| Low output | 4000K      | 23    | 2500                     | 109          |



3500 LUMEN AT 80 CRI - MEDIUM OUTPUT

| LED OUTPUT    | COLOR TEMP | WATTS | NOMINAL DELIVERED LUMENS | EFFICACY LPW |
|---------------|------------|-------|--------------------------|--------------|
| Medium output | 2700K      | 36.5  | 3500                     | 96           |
| Medium output | 3000K      | 35.5  | 3500                     | 98           |
| Medium output | 3500K      | 34.5  | 3500                     | 102          |
| Medium output | 4000K      | 33.5  | 3500                     | 105          |



4500 LUMEN AT 80 CRI - HIGH OUTPUT

| LED OUTPUT  | COLOR TEMP | WATTS | NOMINAL DELIVERED LUMENS | EFFICACY LPW |
|-------------|------------|-------|--------------------------|--------------|
| High output | 2700K      | 48.5  | 4500                     | 93           |
| High output | 3000K      | 47.5  | 4500                     | 95           |
| High output | 3500K      | 46    | 4500                     | 98           |
| High output | 4000K      | 44.5  | 4500                     | 101          |

SURFACE  
STATIC WHITE

## Technical Specifications

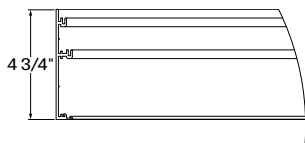
### OPTIC

#### Uniform Efficiency Lambertian Optic (ULO)

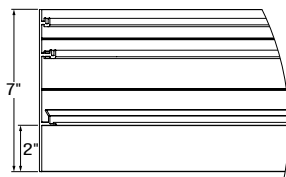
Made of formed impact modified white PMMA, the optic provides an even light distribution with up to 88% transmission. Its unique enclosed shell design protects LEDs against Electrostatic Discharge and dust while its back surface project a soft glow on the mounting surface.

### LENS POSITION

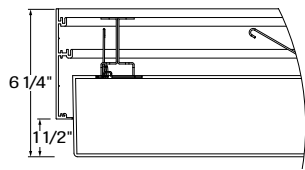
Pop Color Round 24 surface is available in 6 lens configurations.



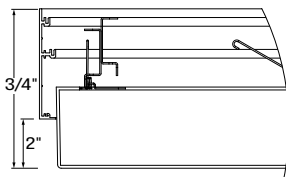
PCROS + FH - Flush lens



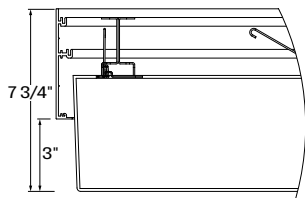
PCROS + 2R - 2" regressed lens



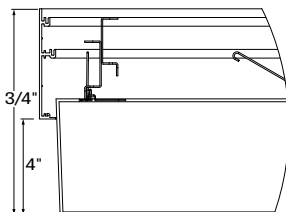
PCROS + 1D - 1" drop lens



PCROS + 2D - 2" drop lens



PCROS + 3D - 3" drop lens



PCROS + 4D - 4" drop lens

### LIGHT SOURCE

Custom array of mid-flux LEDs are mounted directly to the housing for optimal thermal performance. Available in 2700K, 3000K, 3500K and 4000K with a minimum 80 CRI and an option for 90 CRI with elevated R9 value. Color consistency maintained to within 3 SDCM. LEDs operated at reduced drive current to optimize efficacy and lumen maintenance.

All LEDs have been tested in accordance with IESNA LM-80-08 and the results have shown L80 lumen maintenance greater than 60,000 hours. Absolute product photometry is measured and presented in accordance with IESNA LM-79, unless otherwise indicated.

### ELECTRICAL

Factory-set, adjustable output current LED driver with universal (120-277VAC) input. Dimmable from 100% to 1% with 0-10V dimming control. Rated life (90% survivorship) of 50,000 hours at 50°C max. ambient (and 70°C max. case) temperature. At maximum driver load: Efficiency > 84%, PF > 0.9, THD < 20%. Other specifiable options include Lutron Hi-Lume 1% (specify 2-wire, or Ecosystem Dim-to-Off), eldoLED 1% ECOdrive 0-10V, eldoLED 0.1% SOLOdrive 0-10V, and DALI protocol drivers. All of our standard 0-10V drivers are NEMA 410 compliant.

### PoE

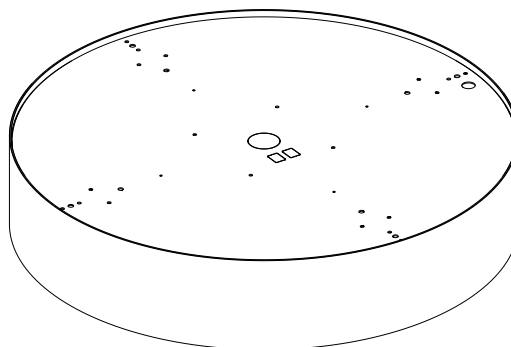
Depending on the PoE manufacturer selected, Lumenwerx will install the node in factory as either integral to the luminaire or as a remote module. Factory programming of the PoE node may or may not enable the following functionalities: lumen package, Duo (tunable white) emergency battery backup, and sensor integration. These must be addressed and evaluated on a case-by-case basis.

### EMERGENCY

Factory installed long life, high temperature, maintenance-free Lithium-Ion battery pack with self-test functionality, test switch and charge indicator. Minimum of 90 minutes operation, up to 10W (25°C) emergency lighting output and recharge time of 24 hours.

### MOUNTING OPTION

Fixtures can be mounted directly to T-bar, drywall and hard surface ceilings. Mounting hardware supplied by others.



SUR - Surface mount

# POP COLOR ROUND 24

# LUMENWERX

SURFACE  
STATIC WHITE

## FINISH

**Interior** - 95%, reflective, matte white powder coating

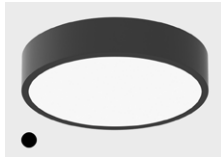
**Exterior** - Side trim is offered in a range of vibrant color powder coating.



W - Matte white



AL - Aluminum



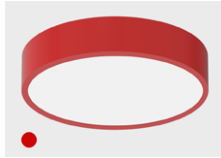
BK - Black



RAL 1028 - Yellow



RAL 2004 - Orange



RAL 3020 - Red



RAL 4010 - Magenta



RAL 5002 - Blue



RAL 6018 - Green

## CONSTRUCTION

**Housing** - Rolled and seamlessly welded aluminum extrusion .125in thick, wide variety of colored powder coating

**Diffuser** - Uniform Lambertian Optic, thermoformed impact modified acrylic, completely enclosed

## WEIGHT

**RD 24 Flush, 1D, 2D** - 16.26lbs - 7.39kg

**RD 24 2R, 3D, 4D** - 17.16lbs - 7.8kg

## CERTIFICATION

**ETL** - Rated for Indoor Dry/Damp locations. Conforms to UL Standard 1598 and certified to CAN/CSA Standard C22.2 No. 250.0.

## WARRANTY

Lumenwerx provides a five-year limited warranty of electrical and mechanical performance of the luminaires, including the LED boards, drivers, and auxiliary electronics. Lumenwerx will repair or replace defective luminaires or components at our discretion, provided they have been installed and operated in accordance with our specifications. Other limitations apply, please refer to the full warranty on our website.