

AERA 2

Downlights - Recessed Open Frame (OF), IC Rated (IC), Chicago Plenum (CP)

LUMENWERX

! This product must be installed in accordance with the National Electrical Code and all applicable local codes, by a person familiar with the construction and operation of the product, and the hazards involved. Proper grounding is required for safety.

Ce produit doit être installé suivant le code national de l'électricité, ainsi que tous les codes locaux applicables, par une personne familière avec la construction et le fonctionnement du produit, ainsi que tous les risques qui y sont associés. La mise à terre électrique est obligatoire pour la sécurité.

! Wire dimming conductors as Class 1.

💡 Shown with 2" round fixed. Applicable to all types, and shapes for 2".

OVERVIEW

! Warnings

Install per national installation and accident prevention regulations.

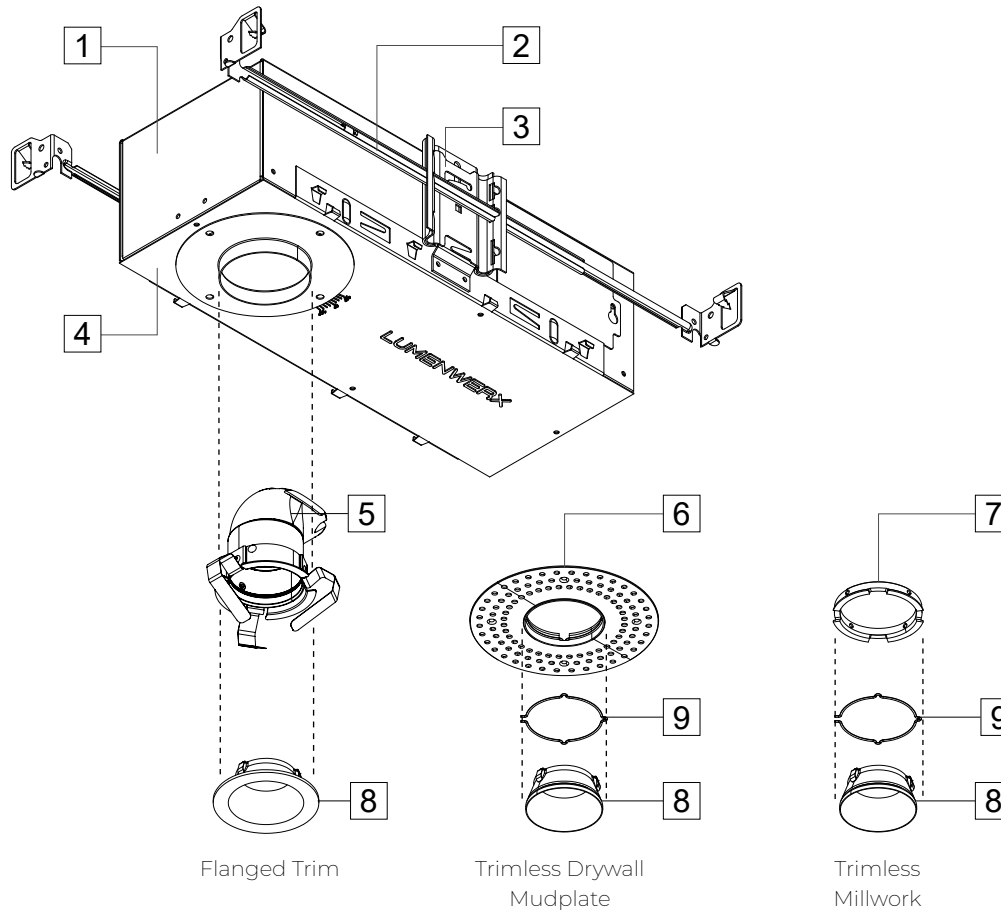
Clearance between sides of luminaire and parts of building must be 1/2" minimum; clearance to insulating materials to be 3" minimum, unless luminaires is IC rated.

Fixtures must be installed in applications where the ambient temperature does not exceed 40° C during normal operation.

Do not connect or disconnect LED board wire connector when the fixture is energized. This may result in permanent damage to the LED array.

Warranty claims will not be accepted if incorrect driver or light element is used.

Do not cover the light element lens or heatsink with any materials or adhesive tapes.



Index

Go to pages related to product configuration.

ASB + Housing.....	P.3
ACB.....	P.4
AHC.....	P.5
FMB.....	P.6
Electrical Connection.....	P.7
Ceiling Preparation.....	P.10
Light Element & Baffle....	P.12

🔧 Tools Required

Allen Key 1/16" ¹
Adjustable Hole Cutter
Drywall Knife ²
Hammer

¹ For millwork adapter only.
² Or router.

Items List

- [1] - IC/CP Box
- [2] - Bar Hangers
- [3] - Bracket
- [4] - Mounting Frame
- [5] - Light Element
- [6] - Mudplate
- [7] - Millwork Adapter
- [8] - Baffle
- [9] - Spring Ring

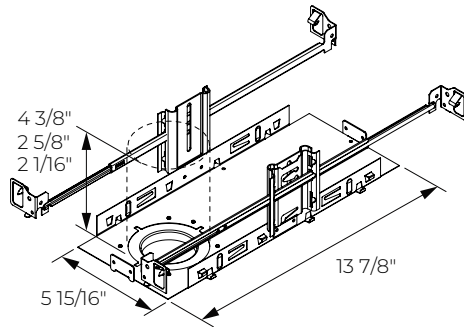
AERA 2

LUMENWERX

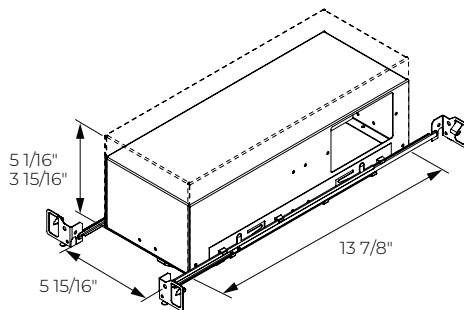
Downlights - Recessed Open Frame (OF), IC Rated (IC), Chicago Plenum (CP)

OVERVIEW - OPTIONS

INSTALLATION TYPES

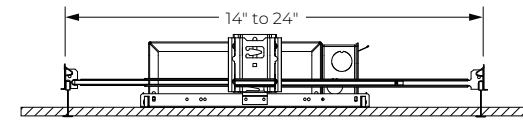


Open Frame Type Non-IC



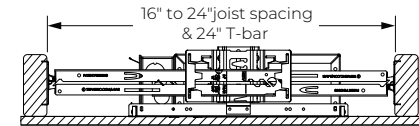
IC Rated
Chicago Plenum Type-IC

MOUNTING OPTIONS



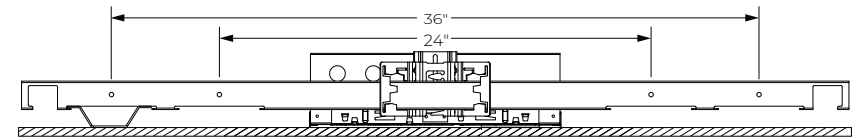
Adjustable Standard Bar Hanger

GO TO PAGE 3
FOR ADJUSTABLE STANDARD BARS INSTALLATION.



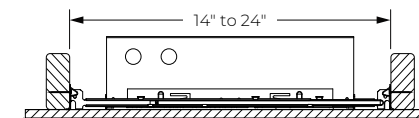
Adjustable Commercial Bar Hanger

GO TO PAGE 4
FOR ADJUSTABLE COMMERCIAL BARS INSTALLATION.



Adjustable Hat Channel Bars

GO TO PAGE 5
FOR ADJUSTABLE HAT CHANNEL BARS INSTALLATION.



Flush Mount Bars

GO TO PAGE 6
FOR FLUSH MOUNT BARS INSTALLATION.

AERA 2

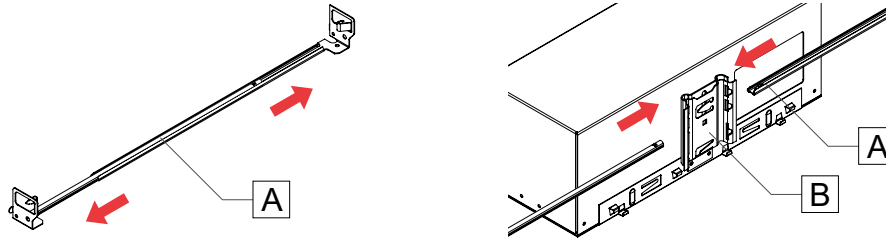
LUMENWERX

Downlights - Recessed Open Frame (OF), IC Rated (IC), Chicago Plenum (CP)

ADJUSTABLE STANDARD BAR HANGERS (ASB)

1 ADJUST HANGER BARS.

Separate the hanger bars [A].
Insert the hanger bars [A] into the caterpillar brackets [B].



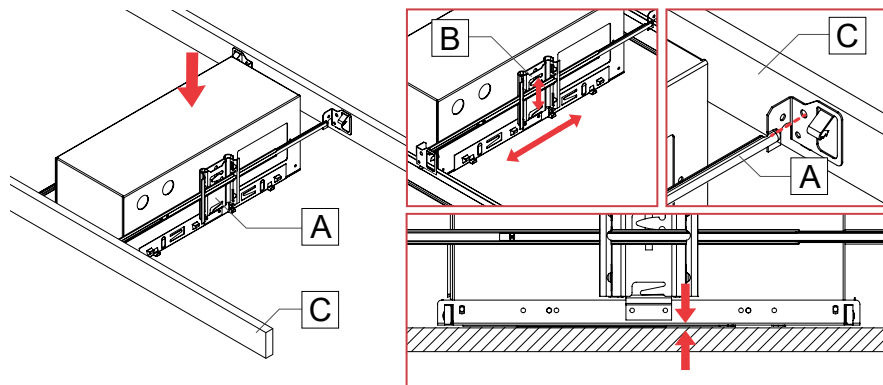
HOUSING

2 MOUNT HOUSING IN CEILING.

DRYWALL CEILING

Mount hanger bars [A] on supports [C] in ceiling.

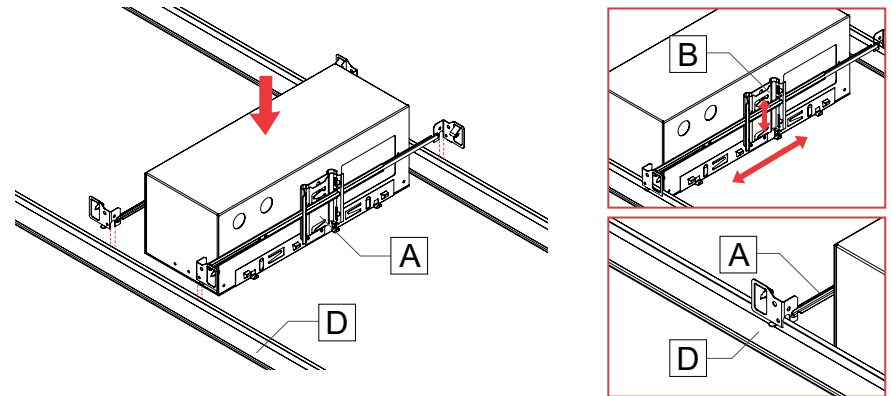
Adjust the caterpillar bracket [B] to align the bottom of the mounting plate to the top of the ceiling surface. The caterpillar bracket can be adjusted from 1" to 3". Adjust the housing position as well. Screw the hanger bars [A] to supports.



GRID CEILING

Mount hanger bars [A] on T-bar [D] in ceiling.

Adjust the caterpillar bracket [B] to suit the ceiling thickness. The caterpillar bracket can be adjusted from 1" to 3". Adjust the housing position as well.



3 GO TO PAGE 7 FOR ELECTRICAL CONNECTION INSTALLATION.

AERA 2

LUMENWERX

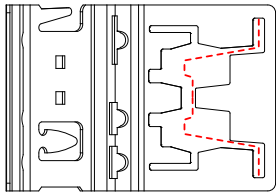
Downlights - Recessed Open Frame (OF), IC Rated (IC), Chicago Plenum (CP)

ADJUSTABLE COMMERCIAL BAR HANGERS (ACB)

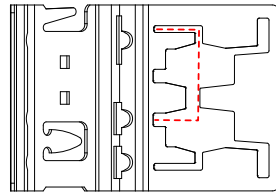
1 DETERMINE HANGER BARS POSITION.

Insert hanger bars into butterfly brackets according to hanger types used.

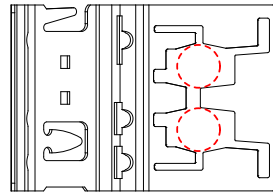
FURRING STRIP CHANNEL



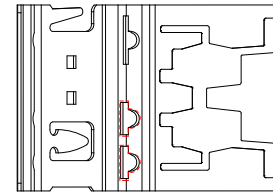
1/2" x 1/2" CHANNEL (2 POSITIONS)



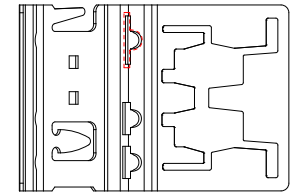
1/2" DIAMETER EMT



1/2" HANGER BARS 1287 & 1240



5/8" - 3/4" HANGER BARS

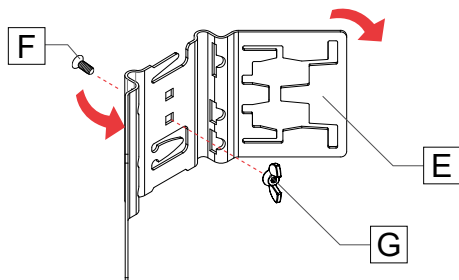


2 PREPARE BUTTERFLY BRACKET.

Squeeze the edges of the butterfly bracket [E] to unlock.

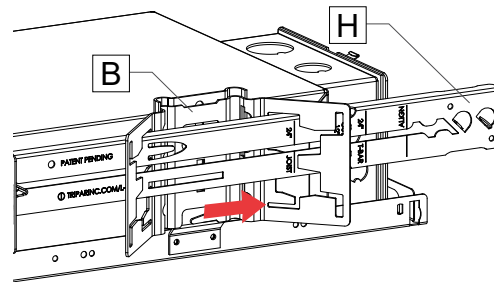
Mount butterfly bracket [E] to housing bracket with screw [F] and wing nut [G].

Note: This step applies to all variation of hanger bars installed into this bracket.



3 INSTALL HANGER BARS

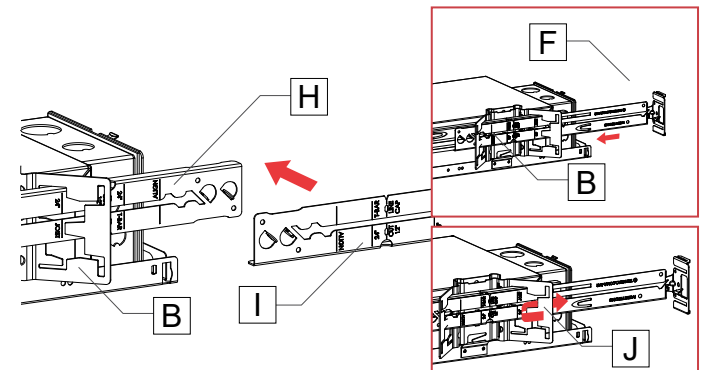
Slide in the first part of the adjustable commercial hanger bar [H] into the butterfly bracket [B].



4 ADJUST AND SET HANGER BARS

Insert the second part of the adjustable commercial hanger bar [I] to the first part [H]. Push the hanger bars [I+H] further into the butterfly bracket [B] and adjust the length.

Twist tab [J] inward to lock in place the bar hanger [I+H].



5 GO TO PAGE 7 FOR ELECTRICAL CONNECTION INSTALLATION.



AERA 2

Downlights - Recessed Open Frame (OF), IC Rated (IC), Chicago Plenum (CP)

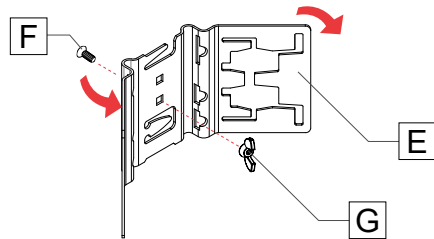
LUMENWERX

ADJUSTABLE HAT CHANNEL BAR HANGERS (AHC)

1 PREPARE BUTTERFLY BRACKET.

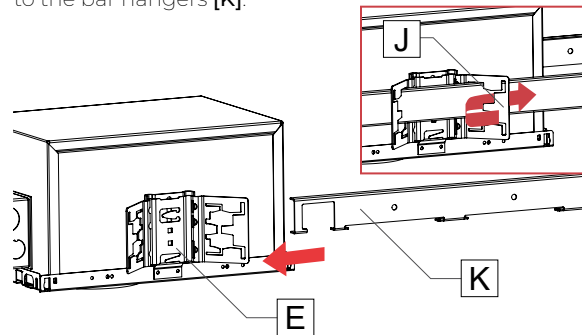
Squeeze the edges of the butterfly bracket [E] to unlock. Mount butterfly bracket [E] to housing bracket with screw [F] and wing nut [G].

Note: This step applies to all variation of hanger bars installed into this bracket.



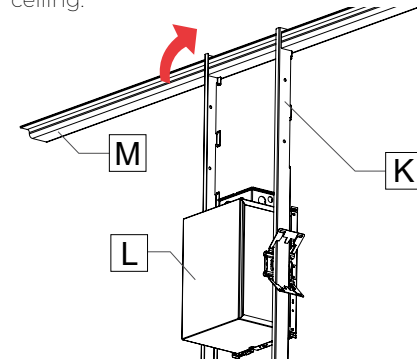
2 INSERT HANGER BARS.

Insert hat channel bar hanger [K] into butterfly bracket [E]. Lock hat channel bar hangers [K] in place in butterfly bracket [E] by twisting the tab [J] inwards to the bar hangers [K].



3 HANG MOUNTING FRAME.

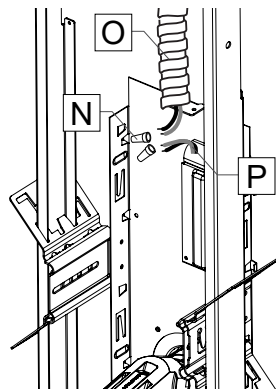
With hat channel bar hangers [K] locked in place, hang the housing [L] onto the hat channel [M] in ceiling.



4 MAKE ELECTRICAL CONNECTION.

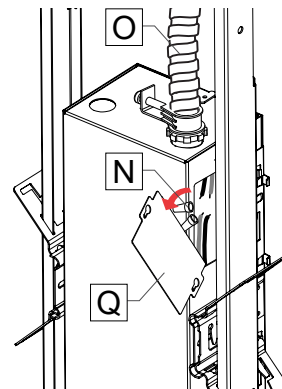
Make the electrical connection with the marrettes [N] between BX cable [O] and driver wires [P].

OPEN FRAME TYPE NON-IC



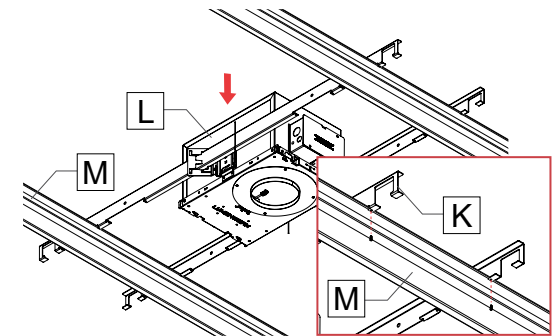
Remove cover [Q] from the side by removing screws. Install BX cable [O] to knockout and make the electrical connection with the marrettes [N]. Install back the cover [Q] back to finish.

CHICAGO PLENUM / TYPE-IC



5 MOUNT ON HAT CHANNEL.

Place housing [L] onto hat channels [M] in ceiling. Affix the housing into the hat channels [M] by screwing into the hat channel bar hanger [K].



6 GO TO PAGE 12 FOR LIGHT ELEMENT & BAFFLE INSTRUCTIONS.

AERA 2

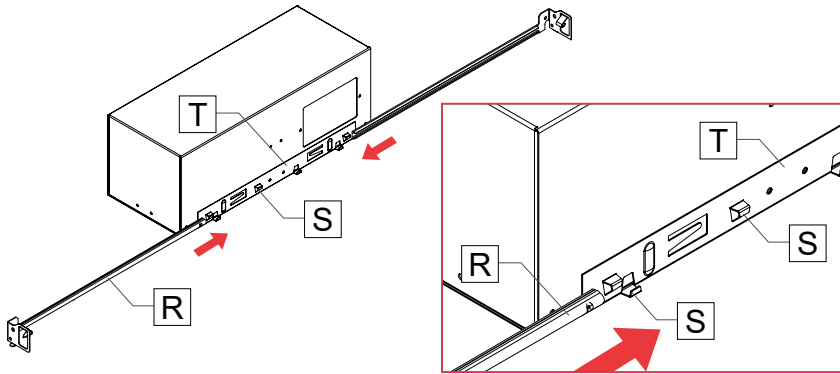
LUMENWERX

Downlights - Recessed Open Frame (OF), IC Rated (IC), Chicago Plenum (CP)

FLUSH MOUNT BARS (FMB)

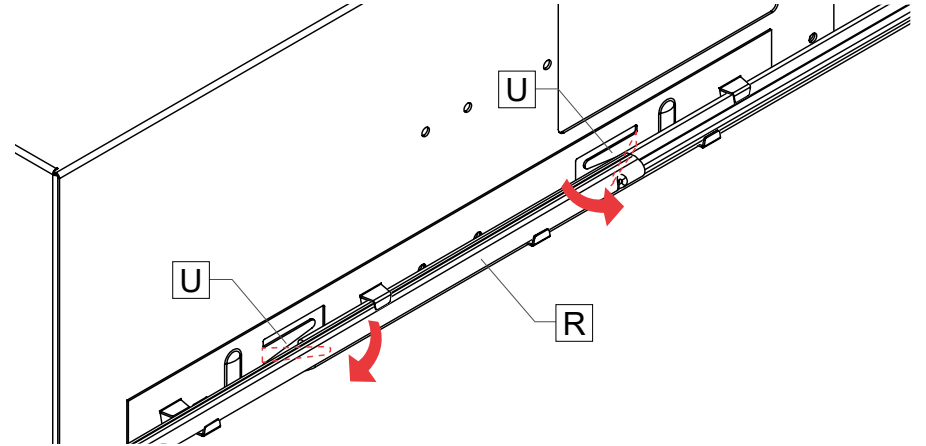
1 INSERT HANGER BARS.

Insert flush mount bars [R] into slots [S] in the mounting frame [T].



2 LOCK HANGER BARS.

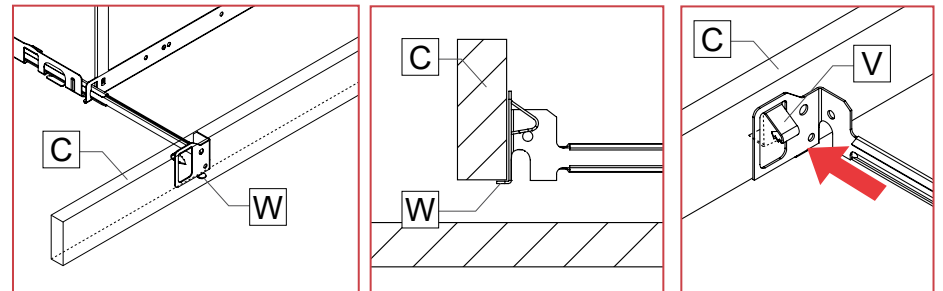
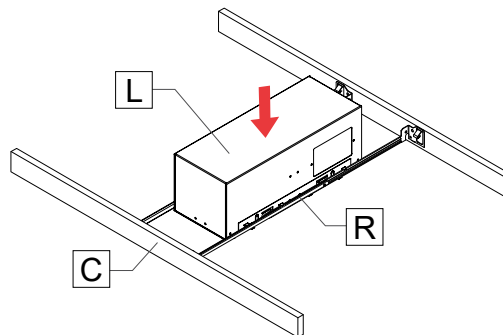
Lock flush mount bars [R] in place by twisting tabs [U] inwards to the bar hangers [R].



3 MOUNT HOUSING IN CEILING.

Place housing [L] into ceiling next to ceiling supports [C]. Mount bar hangers [R] into supports [C] by hammering in pin tab [V] into the supports [C].

Note: Make sure to have tab [W] under supports [C] before hammering pin tab [V].



4 GO TO PAGE 7 FOR ELECTRICAL CONNECTION INSTALLATION.

AERA 2

LUMENWERX

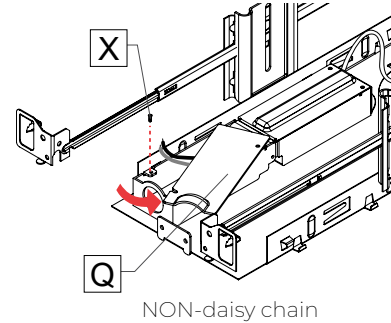
Downlights - Recessed Open Frame (OF), IC Rated (IC), Chicago Plenum (CP)

ELECTRICAL CONNECTION

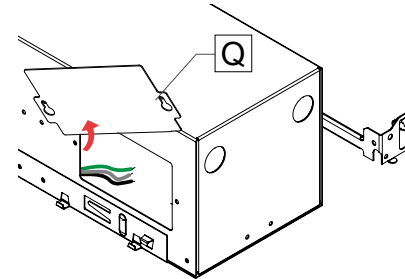
1 OPEN COVER.

Unfasten screw [X] and pivot the cover [Q]. For Type-IC and Chicago Plenum, remove screws to remove cover and access the wires.

OPEN FRAME



TYPE-IC / CHICAGO PLENUM

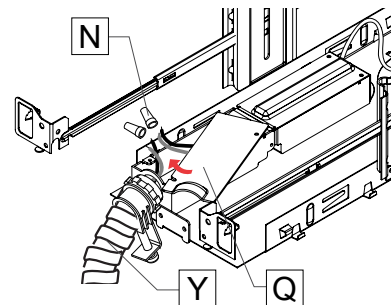


2 DO ELECTRICAL CONNECTION.

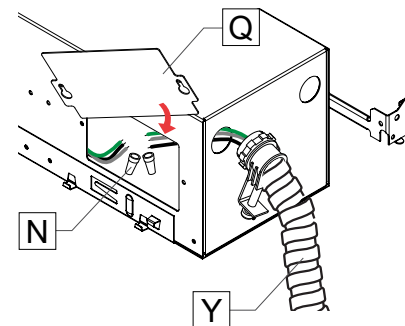
Install BX cable [Y] and make the electrical connection with the marrettes [N]. Twist the cover [Q] back and close it all with the screws.

Follow the wiring diagrams on the right.

OPEN FRAME / TYPE-IC



TYPE-IC / CHICAGO PLENUM



AERA 2

Downlights - Recessed Open Frame (OF), IC Rated (IC), Chicago Plenum (CP)

WIRING DIAGRAMS (1 Circuit)

For electrical connections, follow the wiring diagrams according to specified drivers in product configuration.

Note: - IC/CP - Possible in daisy chain
 - OF/RM - Not possible in daisy chain

INTEGRAL DRIVER - STATIC WHITE, SOLA

D1 / SD1		ELV / TRI / SELV / STRI	
BLACK	HOT	BLACK	HOT
WHITE	NEUTRAL	WHITE	NEUTRAL
GREEN	GROUND	GREEN	GROUND
PURPLE	DIM (+) 0-10V		
PINK or GRAY	DIM (-) 0-10V		

TO FIXTURE

Note:
120V max input voltage

TO FIXTURE

REMOTE DRIVER - STATIC WHITE, SOLA

RDA		RLTEA2W / RELV / RTRI / RSELV / RSTRI		RD1 / RELD1 / RELD0 / RSD1	
RED	LED (+)	BLACK	HOT	BLACK	HOT
BLUE	LED (-)	WHITE	NEUTRAL	WHITE	NEUTRAL
		GREEN	GROUND	GREEN	GROUND
		PURPLE		PURPLE	DIM (+) 0-10V
		PINK or GRAY		PINK or GRAY	DIM (-) 0-10V

Note:
For remote driver wiring in the remote driver box (RDB), refer to the applicable driver wiring.

For max wire distance from driver, please check our website: WWW.LUMENWERX.COM

REMOTE DRIVER BOX

TO FIXTURE

TO DRIVER

BLACK	HOT	BLACK	HOT	BLACK	HOT
WHITE	NEUTRAL	WHITE	NEUTRAL	WHITE	NEUTRAL
GREEN	GROUND	GREEN	GROUND	GREEN	GROUND
PURPLE	DALI (+)			PURPLE	E1 TO ECOSYSTEM
PINK or GRAY	DALI (-)			PINK or GRAY	E2 TO ECOSYSTEM

TO DRIVER

Note:
120V max input voltage

TO DRIVER

TO DRIVER

AERA 2

Downlights - Recessed Open Frame (OF), IC Rated (IC), Chicago Plenum (CP)

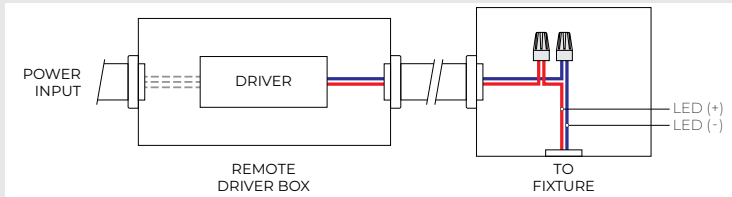
LUMENWERX

REMOTE DRIVER - DUO

RED	LED (+)
BLUE	LED (-)

Note:
For remote driver wiring in the remote driver box (RDB), refer to the applicable driver wiring.

For max wire distance from driver, please check our website: WWW.LUMENWERX.COM



RDD1

BLACK	HOT
WHITE	NEUTRAL
GREEN	GROUND
PURPLE	DIM (+) 0-10V
RED	CCT (+) 0-10V
PINK or GRAY	DIM & CCT (-) 0-10V

Note:
Common negative for dimming & CCT

RDDA / RDDA8

BLACK	HOT
WHITE	NEUTRAL
GREEN	GROUND
PURPLE	DALI (+)
PINK or GRAY	DALI (-)

RPSQ0

BLACK	HOT
WHITE	NEUTRAL
GREEN	GROUND
PURPLE	T1 TO
PINK or GRAY	T2 DIGITAL LINK

RDMX

BLACK	HOT
WHITE	NEUTRAL
GREEN	GROUND
BLUE	DMX (+)
BLUE/WHITE	DMX (-)
BARE	SHIELD

BLUE	DMX (+)
BLUE/WHITE	DMX (-)
BARE	SHIELD

Note:
- Must follow DMX wiring architecture
- Use low capacitance wiring for DMX network

AERA 2

LUMENWERX

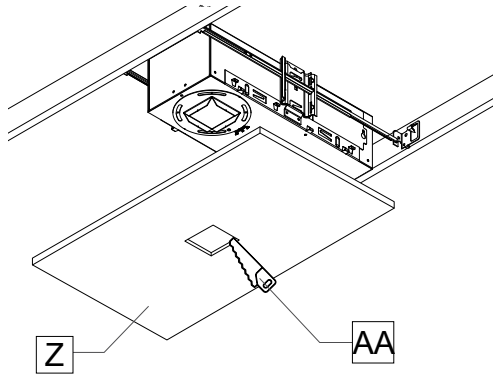
Downlights - Recessed Open Frame (OF), IC Rated (IC), Chicago Plenum (CP)

CEILING PREPARATION

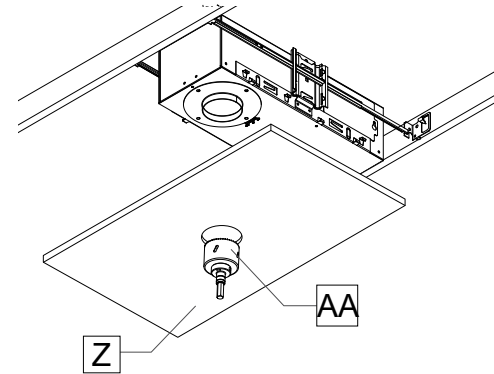
1 CEILING CUT-OUTS.

DRYWALL CEILING

Cut opening in drywall ceiling [Z] with drywall knife or router [AA].



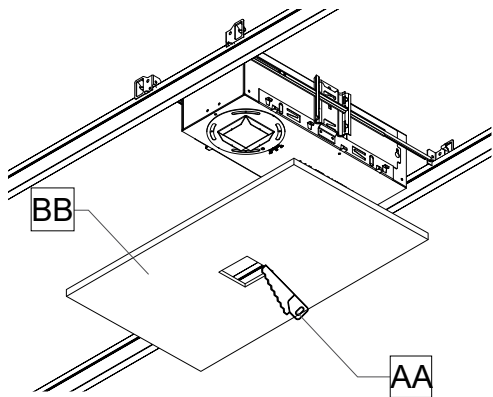
Square Opening
2" - 2 5/16" x 2 5/16"



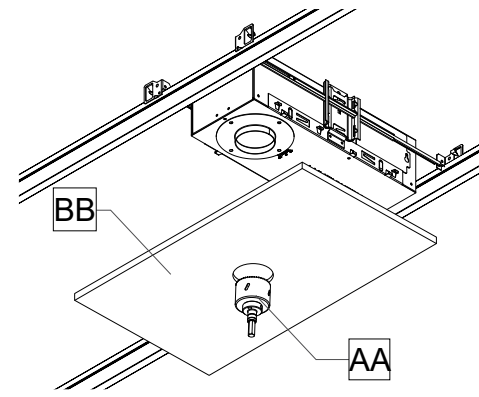
Round Opening
2" - Ø 2 1/2"

GRID CEILING

Cut opening in grid ceiling tile [BB] with knife or router [AA].



Square Opening
2" - 2 5/16" x 2 5/16"



Round Opening
2" - Ø 2 1/2"

AERA 2

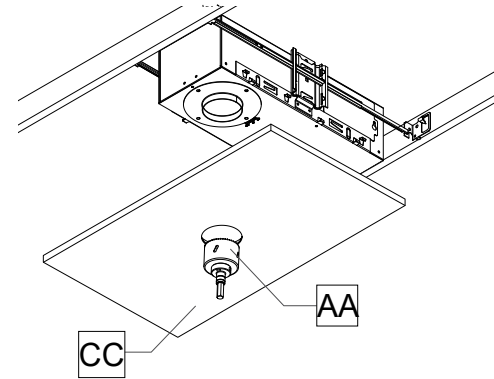
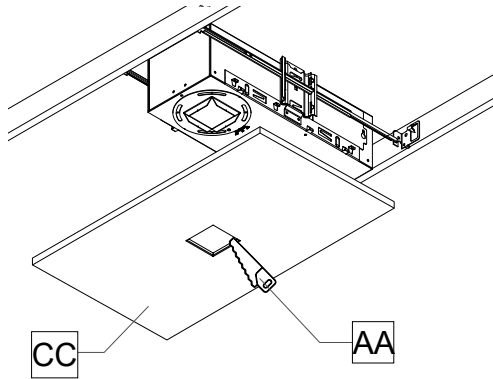
Downlights - Recessed Open Frame (OF), IC Rated (IC), Chicago Plenum (CP)

LUMENWERX

1 CEILING CUT-OUTS.

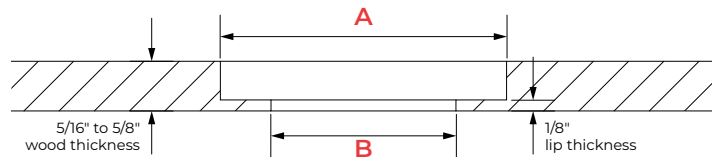
MILLWORK CEILING

Cut opening in wood ceiling [CC] with knife or router [AA].

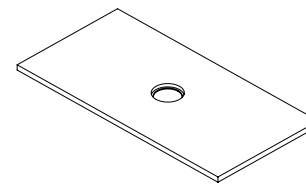


Follow the table for dimensions based on size and baffle shape.

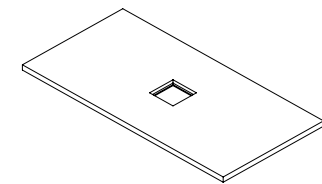
Note: The baffle opening is cut-through, but the collar opening is a step-hole that is at the back face of the ceiling.



BACK FACE OF CEILING



Round



Square

	A	B
	Collar Opening	Baffle Opening
2" Round	Ø 2 1/2"	Ø 2 1/16"
2" Square	2 1/2" x 2 1/2"	2 1/16" x 2 1/16"

AERA 2

Downlights - Recessed Open Frame (OF), IC Rated (IC), Chicago Plenum (CP)

LUMENWERX

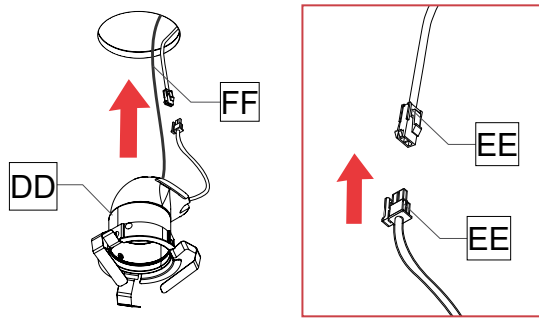
LIGHT ELEMENT & BAFFLE

1 INSTALL LIGHT ELEMENT.

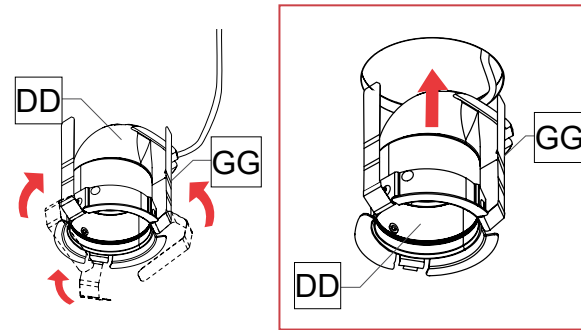
FLANGED TRIM

Bring the light element [DD] closer to the ceiling. Connect the light element [DD] to driver in housing with quick connectors [EE].

Attach the safety cable [FF] to a suitable point in the ceiling.



Squeeze spring clips [GG] upwards onto light element [DD]. Insert light element [DD] into housing until spring clips [GG] snap back inside the housing.

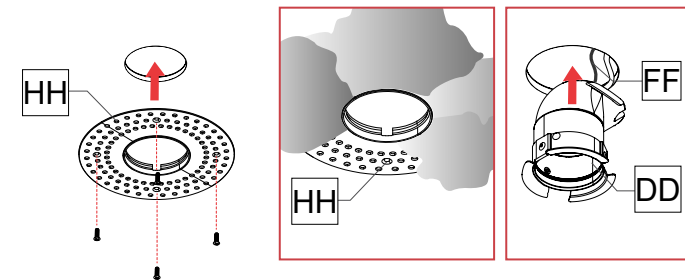


TRIMLESS DRYWALL MUDPLATE

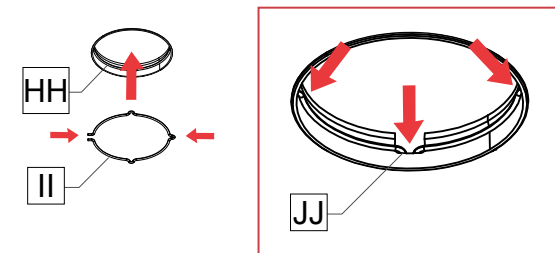
Attach mudplate [HH] to ceiling and screw onto ceiling. Plaster and sand over mudplate [HH]. Connect the light element [DD] to driver in housing with quick connectors.

Attach the safety cable [FF] to a suitable point in the ceiling.

Insert light element [DD] into opening in ceiling.



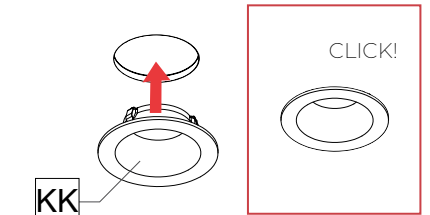
Squeeze spring ring [II] into the mudplate [HH] at the edge. Spring ring [II] will snap into the mudplate notches [JJ] around the mudplate edge.



2 INSTALL BAFFLE.

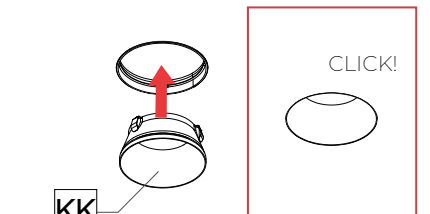
FLANGED TRIM

Snap in baffles [KK] in place into ceiling opening until audible click is heard.



TRIMLESS DRYWALL MUDPLATE

Snap in baffles [KK] in place into ceiling opening until audible click is heard.



AERA 2

Downlights - Recessed Open Frame (OF), IC Rated (IC), Chicago Plenum (CP)

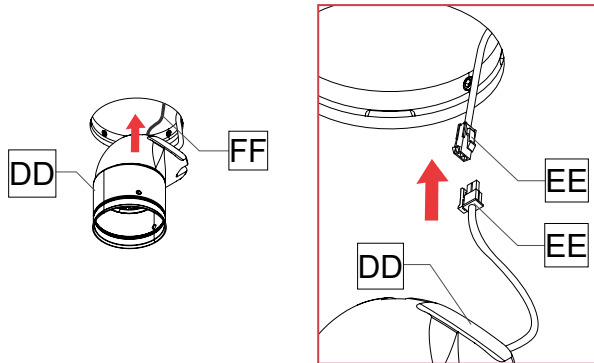
LUMENWERX

1 INSTALL LIGHT ELEMENT.

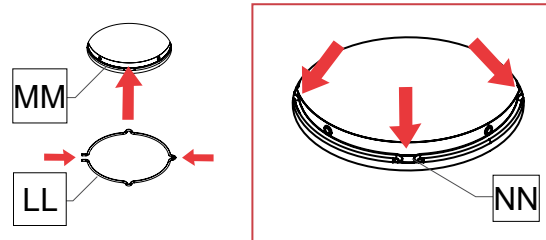
TRIMLESS MILLWORK

Connect the light element [DD] to driver in housing with quick connectors [EE] and install from below.

Attach the safety cable [FF] to a suitable point in the ceiling.



Squeeze spring ring [LL] into the millwork adapter [MM] to keep the light module in place. Spring ring [LL] will snap into the millwork adapter notches [NN] around the millwork adapter edge.



2 INSTALL BAFFLE.

TRIMLESS MILLWORK

Snap in baffles [KK] in place into ceiling opening until audible click is heard.

Note: Edge of the trim should be flush with the surface.

