

AERA 3-4

Downlights - Recessed Open Frame (OF), IC Rated (IC), Chicago Plenum (CP)

LUMENWERX

! This product must be installed in accordance with the National Electrical Code and all applicable local codes, by a person familiar with the construction and operation of the product, and the hazards involved. Proper grounding is required for safety.

Ce produit doit être installé suivant le code national de l'électricité, ainsi que tous les codes locaux applicables, par une personne familière avec la construction et le fonctionnement du produit, ainsi que tous les risques qui y sont associés. La mise à terre électrique est obligatoire pour la sécurité.

! Wire dimming conductors as Class 1.

💡 Shown with 4" round adjustable fixture. Applicable to 3", and all types and shapes for 3" and 4".

OVERVIEW

! Warnings

Install per national installation and accident prevention regulations.

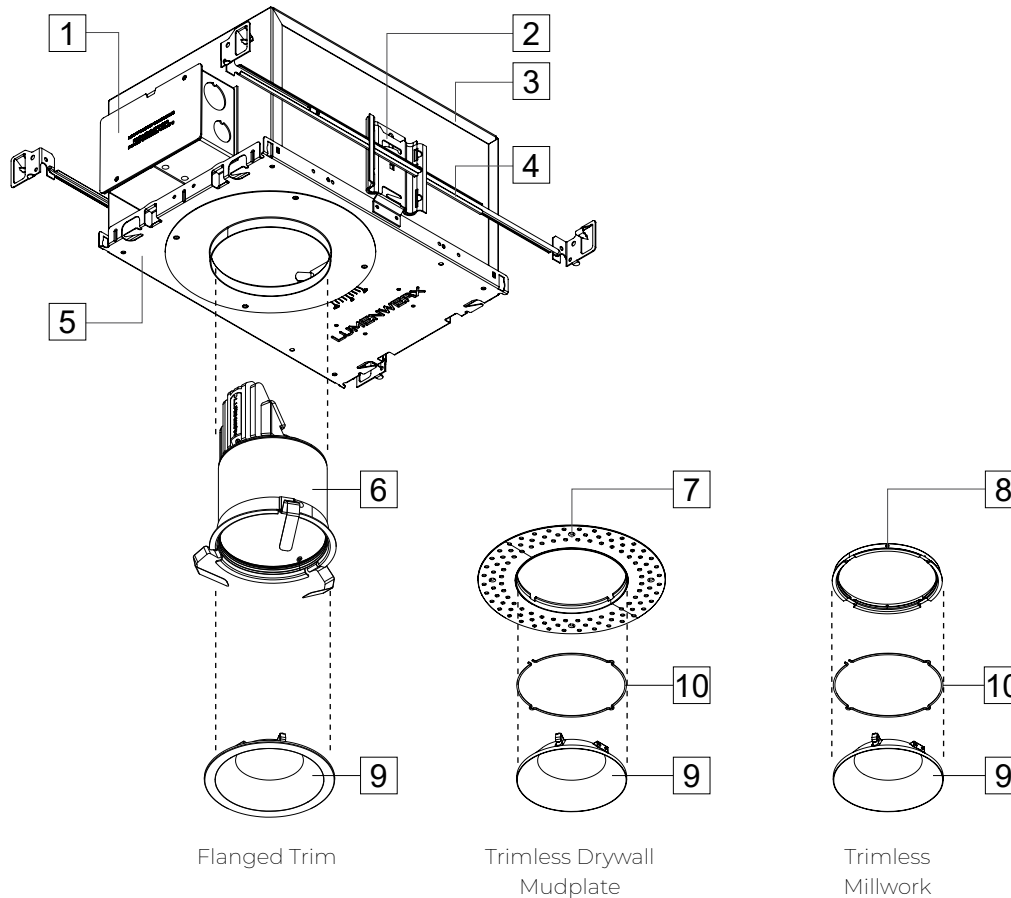
Clearance between sides of luminaire and parts of building must be 1/2" minimum; clearance to insulating materials to be 3" minimum, unless luminaires is IC rated.

Fixtures must be installed in applications where the ambient temperature does not exceed 40° C during normal operation.

Do not connect or disconnect LED board wire connector when the fixture is energized. This may result in permanent damage to the LED array.

Warranty claims will not be accepted if incorrect driver or light element is used.

Do not cover the light element lens or heatsink with any materials or adhesive tapes.



Index

Go to pages related to product configuration.

ASB + Housing.....	P.3
ACB.....	P.4
AHC.....	P.5
FMB.....	P.6
Electrical Connection.....	P.7
Ceiling Preparation.....	P.10
Light Element & Baffle....	P.12
Onboard emergency battery (DEB) ¹	P.15

¹ For Aera 4" only.

🔧 Tools Required

- Allen Key 1/16" ¹
- Adjustable Hole Cutter
- Drywall Knife ²
- Hammer

¹ For millwork adapter only.
² Or router.

Items List

- [1]** - Electrical Box
- [2]** - Butterfly Bracket
- [3]** - IC/CP Box
- [4]** - Hanger Bar
- [5]** - Mounting Frame
- [6]** - Light Element
- [7]** - Mudplate
- [8]** - Millwork Adapter
- [9]** - Baffle
- [10]** - Spring Ring

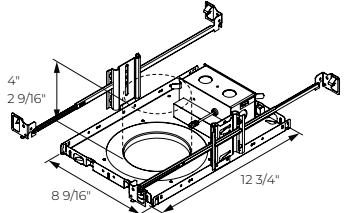
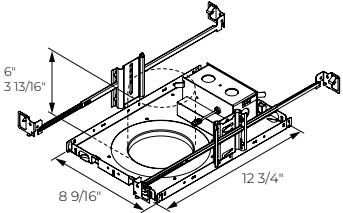
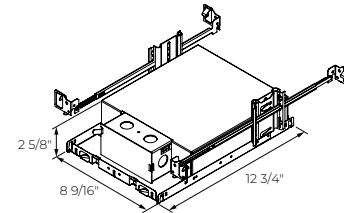
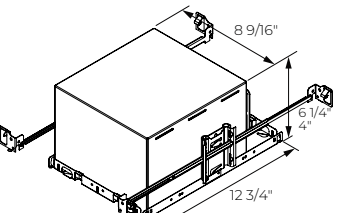
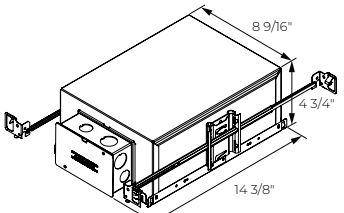
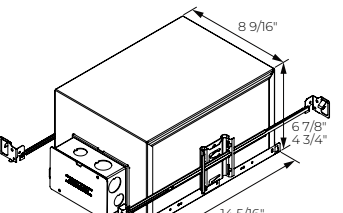
AERA 3-4

LUMENWERX

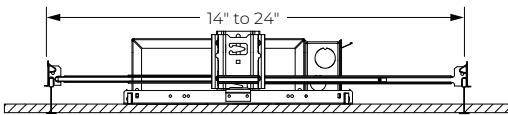
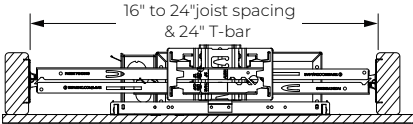
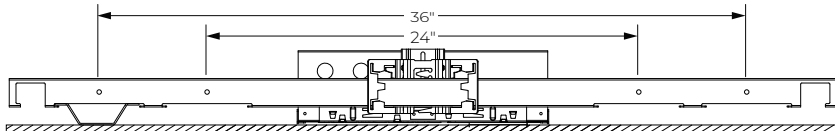
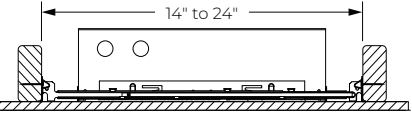
Downlights - Recessed Open Frame (OF), IC Rated (IC), Chicago Plenum (CP)

OVERVIEW - OPTIONS

INSTALLATION TYPES

3" Housing	4" Housing
 <p>4" 2 9/16"</p> <p>8 9/16" 12 3/4"</p> <p>Open Frame</p>	 <p>6" 3 13/16"</p> <p>8 9/16" 12 3/4"</p> <p>Open Frame Type Non-IC</p>
 <p>2 5/8"</p> <p>8 9/16" 12 3/4"</p> <p>IC Rated</p>	 <p>8 9/16" 5 1/4" 12 3/4"</p> <p>IC Rated</p>
 <p>8 9/16" 4 3/4" 14 3/8"</p> <p>Chicago Plenum Type-IC</p>	 <p>8 9/16" 6 7/8" 4 3/4" 14 5/16"</p> <p>Chicago Plenum Type-IC</p>

MOUNTING OPTIONS

 <p>14" to 24"</p> <p>Adjustable Standard Bar Hanger</p> <p>GO TO PAGE 3 FOR ADJUSTABLE STANDARD BARS INSTALLATION.</p>
 <p>16" to 24" joist spacing & 24" T-bar</p> <p>Adjustable Commercial Bar Hanger</p> <p>GO TO PAGE 4 FOR ADJUSTABLE COMMERCIAL BARS INSTALLATION.</p>
 <p>36" 24"</p> <p>Adjustable Hat Channel Bars</p> <p>GO TO PAGE 5 FOR ADJUSTABLE HAT CHANNEL BARS INSTALLATION.</p>
 <p>14" to 24"</p> <p>Flush Mount Bars</p> <p>GO TO PAGE 6 FOR FLUSH MOUNT BARS INSTALLATION.</p>

AERA 3-4

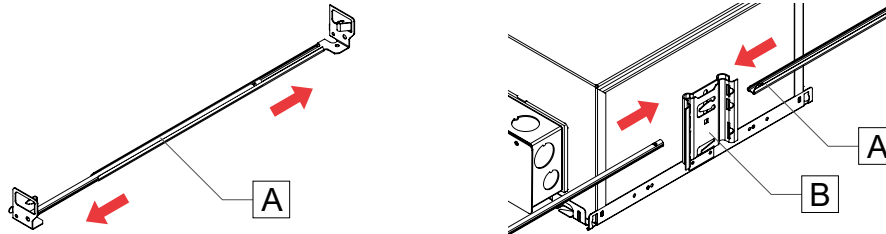
LUMENWERX

Downlights - Recessed Open Frame (OF), IC Rated (IC), Chicago Plenum (CP)

ADJUSTABLE STANDARD BAR HANGERS (ASB)

1 ADJUST HANGER BARS.

Separate the hanger bars [A].
Insert the hanger bars [A] into the caterpillar brackets [B].



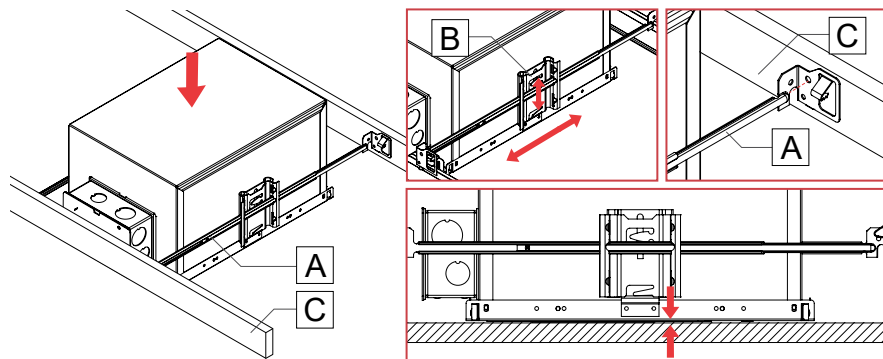
HOUSING

2 MOUNT HOUSING IN CEILING.

DRYWALL CEILING

Mount hanger bars [A] on supports [C] in ceiling.

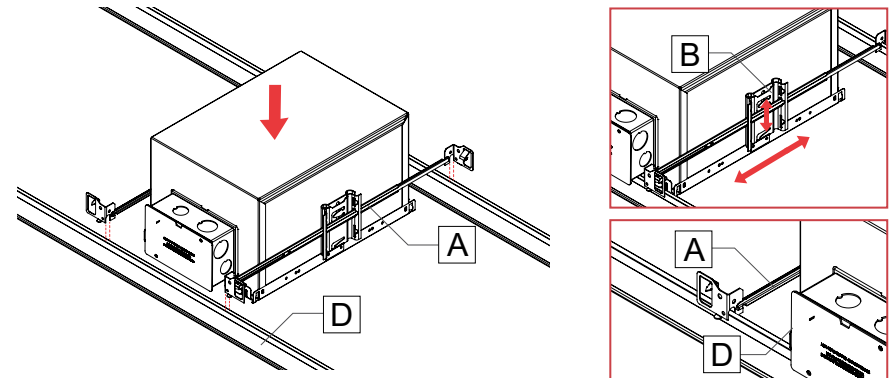
Adjust the caterpillar bracket [B] to align the bottom of the mounting plate to the top of the ceiling surface. The caterpillar bracket can be adjusted from 1" to 3".
Adjust the housing position as well. Screw the hanger bars [A] to supports.



GRID CEILING

Mount hanger bars [A] on T-bar [D] in ceiling.

Adjust the caterpillar bracket [B] to suit the ceiling thickness. The caterpillar bracket can be adjusted from 1" to 3". Adjust the housing position as well.



3 GO TO PAGE 7 FOR ELECTRICAL CONNECTION INSTALLATION.

AERA 3-4

LUMENWERX

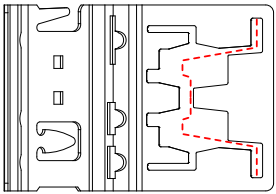
Downlights - Recessed Open Frame (OF), IC Rated (IC), Chicago Plenum (CP)

ADJUSTABLE COMMERCIAL BAR HANGERS (ACB)

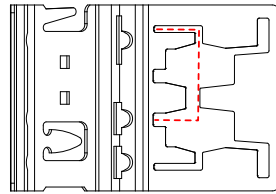
1 DETERMINE HANGER BARS POSITION.

Insert hanger bars into butterfly brackets according to hanger types used.

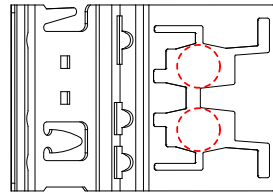
FURRING STRIP CHANNEL



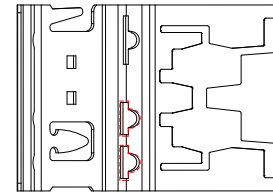
1/2" x 1/2" CHANNEL (2 POSITIONS)



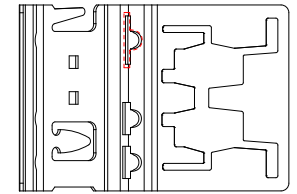
1/2" DIAMETER EMT



1/2" HANGER BARS 1287 & 1240



5/8" - 3/4" HANGER BARS

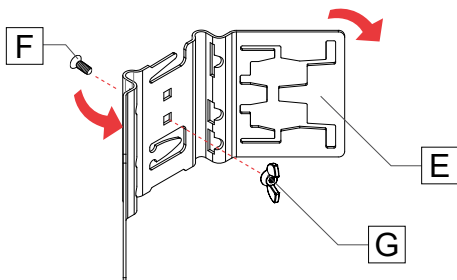


2 PREPARE BUTTERFLY BRACKET.

Squeeze the edges of the butterfly bracket [E] to unlock.

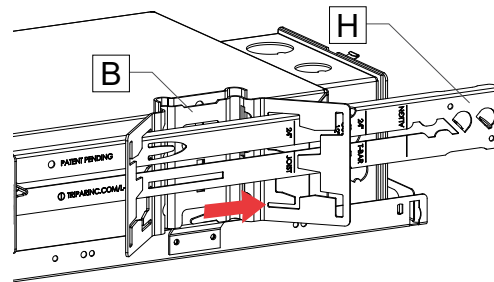
Mount butterfly bracket [E] to housing bracket with screw [F] and wing nut [G].

Note: This step applies to all variation of hanger bars installed into this bracket.



3 INSTALL HANGER BARS

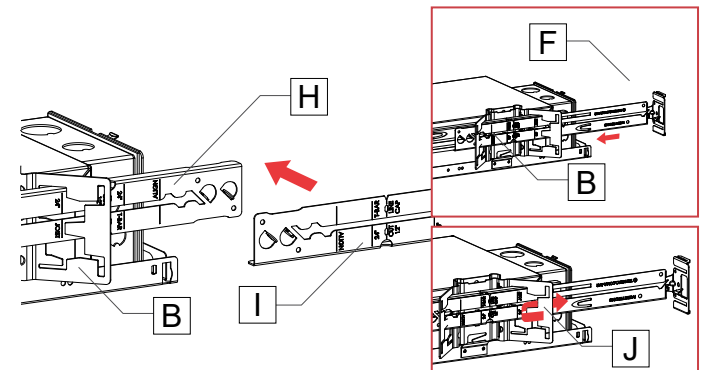
Slide in the first part of the adjustable commercial hanger bar [H] into the butterfly bracket [B].



4 ADJUST AND SET HANGER BARS

Insert the second part of the adjustable commercial hanger bar [I] to the first part [H]. Push the hanger bars [I+H] further into the butterfly bracket [B] and adjust the length.

Twist tab [J] inward to lock in place the bar hanger [I+H].



5 GO TO PAGE 7 FOR ELECTRICAL CONNECTION INSTALLATION.



AERA 3-4

LUMENWERX

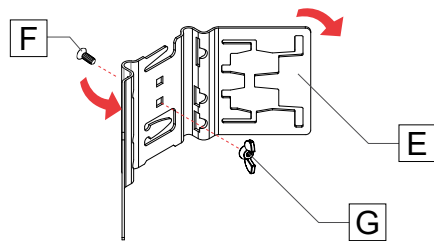
Downlights - Recessed Open Frame (OF), IC Rated (IC), Chicago Plenum (CP)

ADJUSTABLE HAT CHANNEL BAR HANGERS (AHC)

1 PREPARE BUTTERFLY BRACKET.

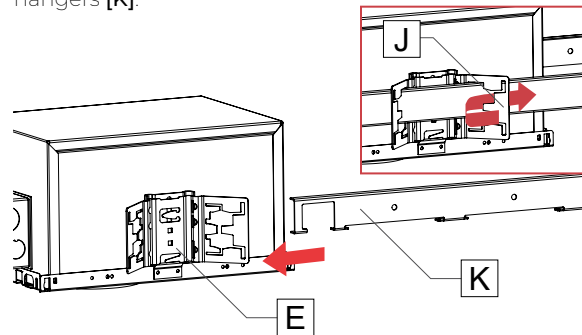
Squeeze the edges of the butterfly bracket [E] to unlock. Mount butterfly bracket [E] to housing bracket with screw [F] and wing nut [G].

Note: This step applies to all variation of hanger bars installed into this bracket.



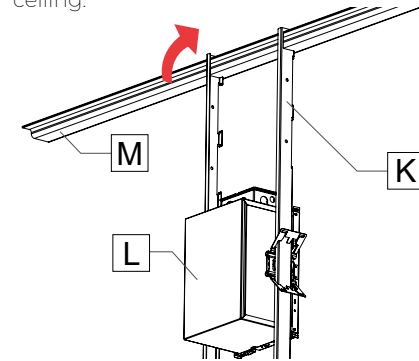
2 INSERT HANGER BARS.

Insert hat channel bar hanger [K] into butterfly bracket [E]. Lock hat channel bar hangers [K] in place in butterfly bracket [E] by twisting the tab [J] inwards to the bar hangers [K].



3 HANG MOUNTING FRAME.

With hat channel bar hangers [K] locked in place, hang the housing [L] onto the hat channel [M] in ceiling.



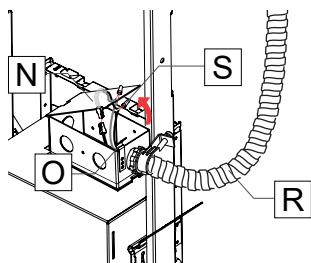
4 MAKE ELECTRICAL CONNECTIONS.

Unsnap the cover [N] from the hook [O] and pivot the cover. For Chicago Plenum, remove screws [P] to access the electrical box [Q].

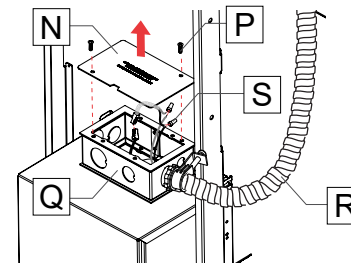
Install BX cable [R] to knockout and make the electrical connections between BX cable and quick connect cable with the marrettes [S]. Connect the main power to the driver using the quick connectors.

Snap the cover [N] back to finish.

3-4" OPEN FRAME / TYPE-IC

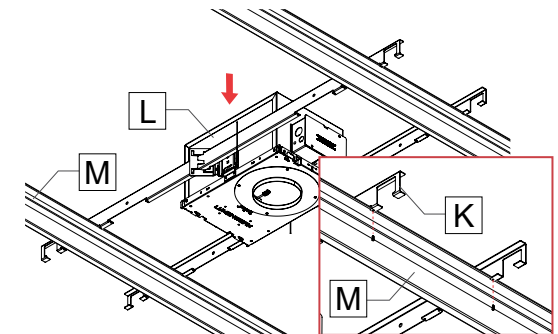


3-4" CHICAGO PLENUM



5 MOUNT ON HAT CHANNEL.

Place housing [L] onto hat channels [M] in ceiling. Affix the housing into the hat channels [M] by screwing into the hat channel bar hanger [K].



6 GO TO PAGE 12 FOR LIGHT ELEMENT & BAFFLE INSTRUCTIONS.

AERA 3-4

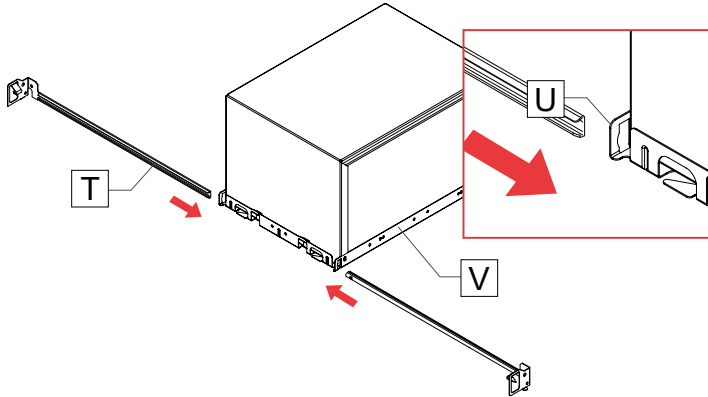
LUMENWERX

Downlights - Recessed Open Frame (OF), IC Rated (IC), Chicago Plenum (CP)

FLUSH MOUNT BARS (FMB)

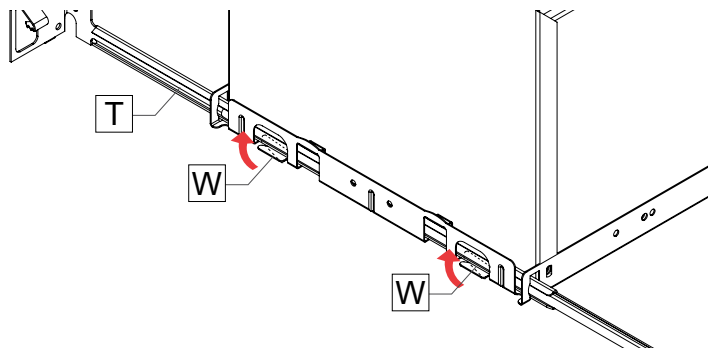
1 INSERT HANGER BARS.

Insert flush mount bars [T] into slots [U] in the mounting frame [V].



3 LOCK HANGER BARS.

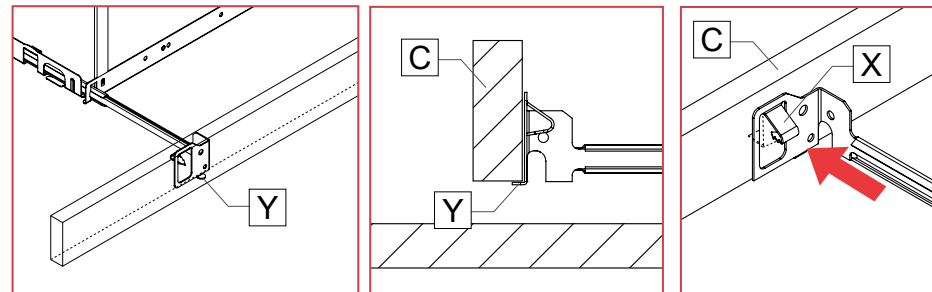
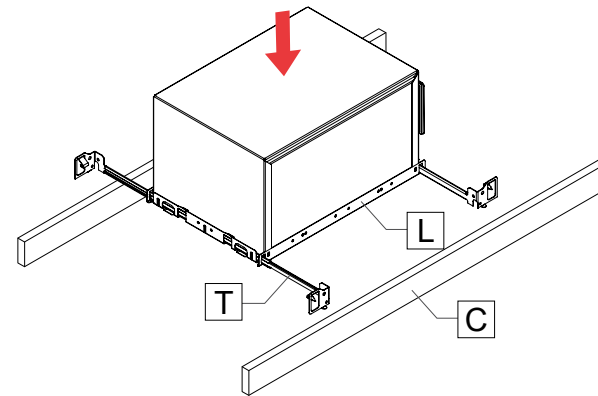
Lock flush mount bars [T] in place by twisting tabs [W] inwards to the bar hangers [T].



2 MOUNT HOUSING IN CEILING.

Place housing [L] into ceiling next to ceiling supports [C]. Mount bar hangers [T] into supports [C] by hammering in pin tab [X] into the supports [C].

Note: Make sure to have tab [Y] under supports [C] before hammering pin tab [X].



4 GO TO PAGE 7 FOR ELECTRICAL CONNECTION INSTALLATION.



AERA 3-4

LUMENWERX

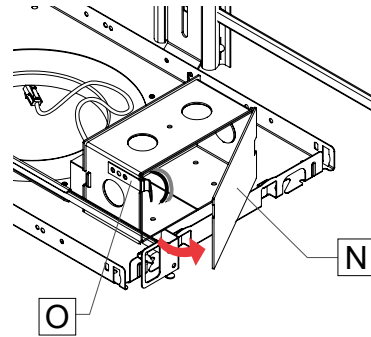
Downlights - Recessed Open Frame (OF), IC Rated (IC), Chicago Plenum (CP)

ELECTRICAL CONNECTION

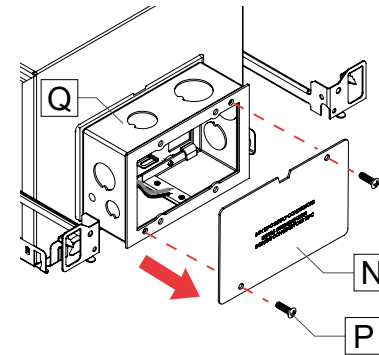
1 UNSNAP COVER.

Unsnap the cover [N] from the hook [O] and pivot the cover. For Chicago Plenum, remove screws [P] to access the electrical box [Q].

3" - 4" OPEN FRAME / TYPE-IC



3-4" CHICAGO PLENUM

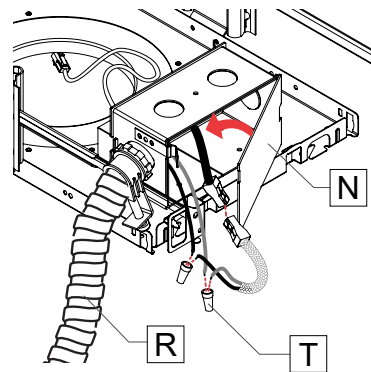


2 MAKE ELECTRICAL CONNECTIONS.

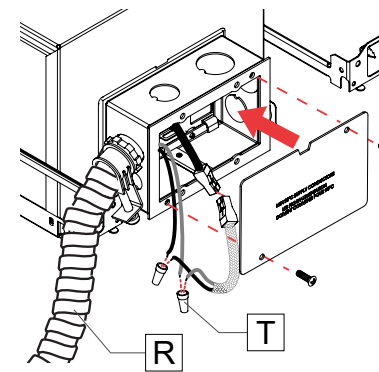
Install BX cable [R] to knockout and make the electrical connections between BX cable and quick connect cable with the marrettes [T]. Connect the main power to the driver using the quick connectors.

Snap the cover [N] back to finish.

3" - 4" OPEN FRAME / TYPE-IC



3-4" CHICAGO PLENUM



AERA 3-4

Downlights - Recessed Open Frame (OF), IC Rated (IC), Chicago Plenum (CP)

WIRING DIAGRAMS (1 Circuit)

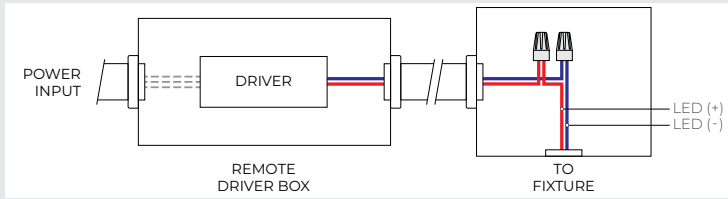
For electrical connections, follow the wiring diagrams according to specified drivers in product configuration.

REMOTE DRIVER - STATIC WHITE, SOLA

RED	LED (+)
BLUE	LED (-)

Note:
For remote driver wiring in the remote driver box (RDB), refer to the applicable integral driver wiring.

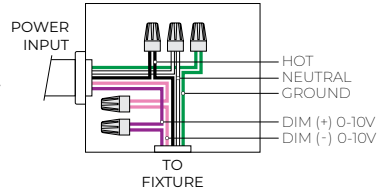
For max wire distance from driver, please check our website: WWW.LUMENWERX.COM



INTEGRAL DRIVER - STATIC WHITE, SOLA

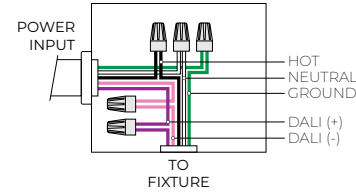
D1 / ELD1 / ELD0 / SD1

BLACK	HOT
WHITE	NEUTRAL
GREEN	GROUND
PURPLE	DIM (+) 0-10V
PINK or GRAY	DIM (-) 0-10V



DA

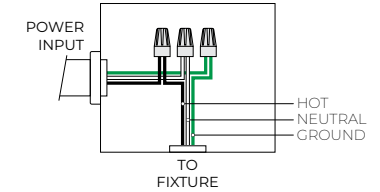
BLACK	HOT
WHITE	NEUTRAL
GREEN	GROUND
PURPLE	DALI (+)
PINK or GRAY	DALI (-)



LTEA2W / ELV / TRI / SELV / STRI

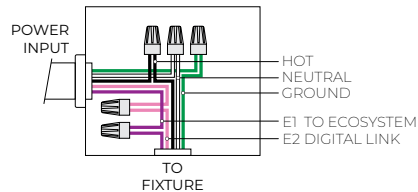
BLACK	HOT
WHITE	NEUTRAL
GREEN	GROUND

Note:
120V max input voltage



LDE1 / PEQ0

BLACK	HOT
WHITE	NEUTRAL
GREEN	GROUND
PURPLE	E1 TO ECOSYSTEM
PINK or GRAY	E2 DIGITAL LINK



AERA 3-4

Downlights - Recessed Open Frame (OF), IC Rated (IC), Chicago Plenum (CP)

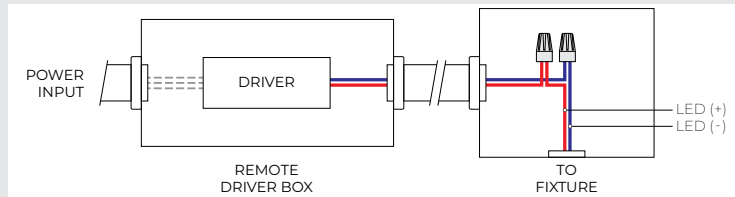
LUMENWERX

REMOTE DRIVER - DUO

RED	LED (+)
BLUE	LED (-)

Note:
For remote driver wiring in the remote driver box (RDB), refer to the applicable driver wiring.

For max wire distance from driver, please check our website: WWW.LUMENWERX.COM



RDD1		RDDA / RDDA8		RPSQ0																																	
<table border="1" style="width: 100%; border-collapse: collapse;"> <tr><td>BLACK</td><td>HOT</td></tr> <tr><td>WHITE</td><td>NEUTRAL</td></tr> <tr><td>GREEN</td><td>GROUND</td></tr> <tr><td>PURPLE</td><td>DIM (+) 0-10V</td></tr> <tr><td>RED</td><td>CCT (+) 0-10V</td></tr> <tr><td>PINK or GRAY</td><td>DIM & CCT (-) 0-10V</td></tr> </table>	BLACK	HOT	WHITE	NEUTRAL	GREEN	GROUND	PURPLE	DIM (+) 0-10V	RED	CCT (+) 0-10V	PINK or GRAY	DIM & CCT (-) 0-10V		<table border="1" style="width: 100%; border-collapse: collapse;"> <tr><td>BLACK</td><td>HOT</td></tr> <tr><td>WHITE</td><td>NEUTRAL</td></tr> <tr><td>GREEN</td><td>GROUND</td></tr> <tr><td>PURPLE</td><td>DALI (+)</td></tr> <tr><td>PINK or GRAY</td><td>DALI (-)</td></tr> </table>	BLACK	HOT	WHITE	NEUTRAL	GREEN	GROUND	PURPLE	DALI (+)	PINK or GRAY	DALI (-)		<table border="1" style="width: 100%; border-collapse: collapse;"> <tr><td>BLACK</td><td>HOT</td></tr> <tr><td>WHITE</td><td>NEUTRAL</td></tr> <tr><td>GREEN</td><td>GROUND</td></tr> <tr><td>PURPLE</td><td>T1 TO</td></tr> <tr><td>PINK or GRAY</td><td>T2 DIGITAL LINK</td></tr> </table>	BLACK	HOT	WHITE	NEUTRAL	GREEN	GROUND	PURPLE	T1 TO	PINK or GRAY	T2 DIGITAL LINK	
BLACK	HOT																																				
WHITE	NEUTRAL																																				
GREEN	GROUND																																				
PURPLE	DIM (+) 0-10V																																				
RED	CCT (+) 0-10V																																				
PINK or GRAY	DIM & CCT (-) 0-10V																																				
BLACK	HOT																																				
WHITE	NEUTRAL																																				
GREEN	GROUND																																				
PURPLE	DALI (+)																																				
PINK or GRAY	DALI (-)																																				
BLACK	HOT																																				
WHITE	NEUTRAL																																				
GREEN	GROUND																																				
PURPLE	T1 TO																																				
PINK or GRAY	T2 DIGITAL LINK																																				
<p>Note: Common negative for dimming & CCT</p>																																					

RDMX

<table border="1" style="width: 100%; border-collapse: collapse;"> <tr><td>BLACK</td><td>HOT</td></tr> <tr><td>WHITE</td><td>NEUTRAL</td></tr> <tr><td>GREEN</td><td>GROUND</td></tr> </table>	BLACK	HOT	WHITE	NEUTRAL	GREEN	GROUND		<table border="1" style="width: 100%; border-collapse: collapse;"> <tr><td>BLUE</td><td>DMX (+)</td></tr> <tr><td>BLUE/WHITE</td><td>DMX (-)</td></tr> <tr><td>BARE</td><td>SHIELD</td></tr> </table>	BLUE	DMX (+)	BLUE/WHITE	DMX (-)	BARE	SHIELD		<table border="1" style="width: 100%; border-collapse: collapse;"> <tr><td>BLUE</td><td>DMX (+)</td></tr> <tr><td>BLUE/WHITE</td><td>DMX (-)</td></tr> <tr><td>BARE</td><td>SHIELD</td></tr> </table>	BLUE	DMX (+)	BLUE/WHITE	DMX (-)	BARE	SHIELD	
BLACK	HOT																						
WHITE	NEUTRAL																						
GREEN	GROUND																						
BLUE	DMX (+)																						
BLUE/WHITE	DMX (-)																						
BARE	SHIELD																						
BLUE	DMX (+)																						
BLUE/WHITE	DMX (-)																						
BARE	SHIELD																						
<p>Note: - Must follow DMX wiring architecture - Use low capacitance wiring for DMX network</p>																							

AERA 3-4

LUMENWERX

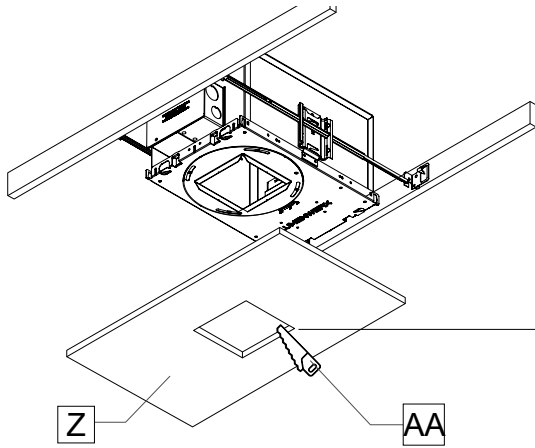
Downlights - Recessed Open Frame (OF), IC Rated (IC), Chicago Plenum (CP)

CEILING PREPARATION

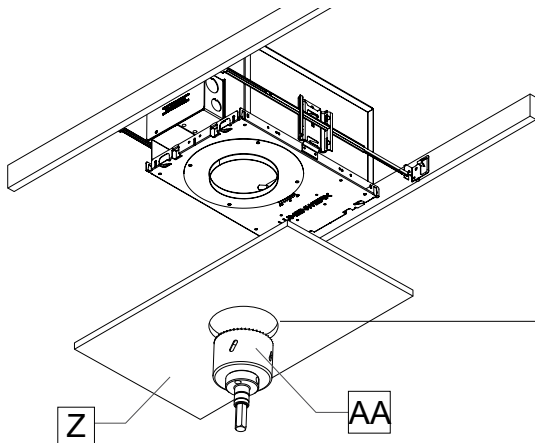
1 CEILING CUT-OUTS.

DRYWALL CEILING

Cut opening in drywall ceiling [Z] with drywall knife [AA].



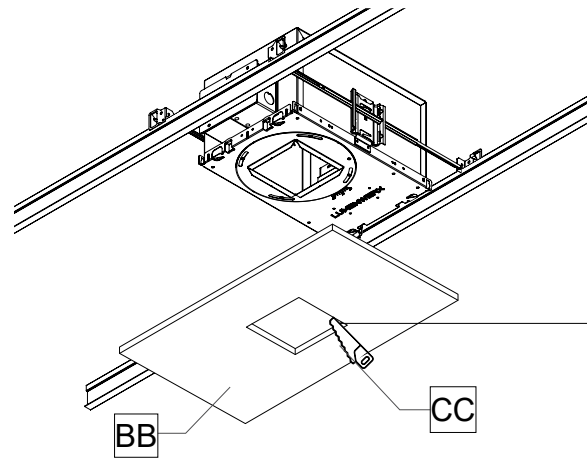
Square Opening
3" - 3 5/16" x 3 5/16"
4" - 4 5/16" x 4 5/16"



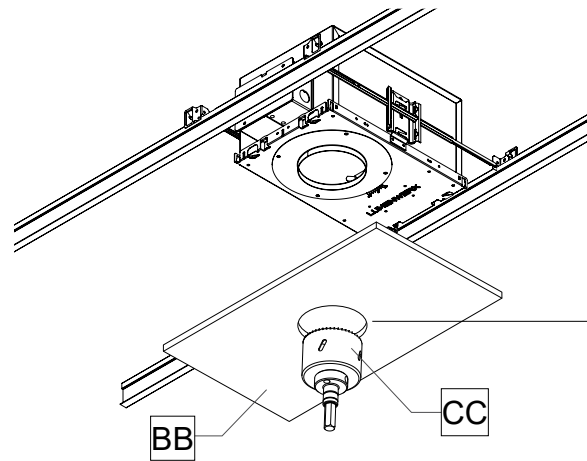
Round Opening
3" - Ø 3 1/2"
4" - Ø 4 1/2"

GRID CEILING

Cut opening in grid ceiling tile [BB] with router [CC].



Square Opening
3" - 3 5/16" x 3 5/16"
4" - 4 5/16" x 4 5/16"



Round Opening
3" - Ø 3 1/2"
4" - Ø 4 1/2"

AERA 3-4

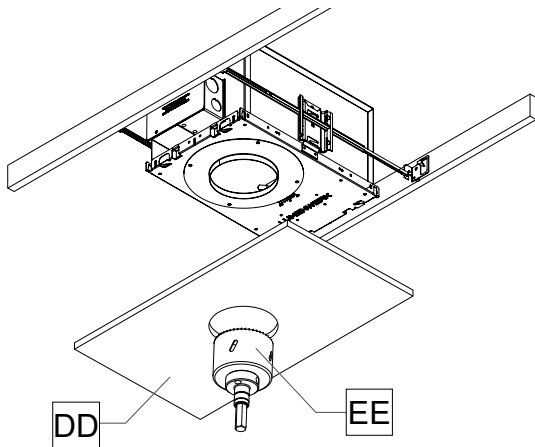
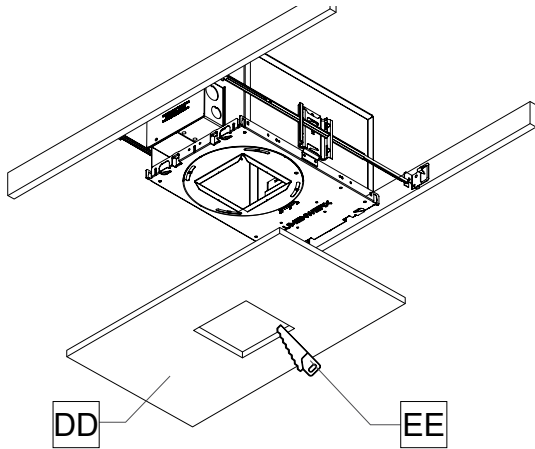
Downlights - Recessed Open Frame (OF), IC Rated (IC), Chicago Plenum (CP)

LUMENWERX

1 CEILING CUT-OUTS.

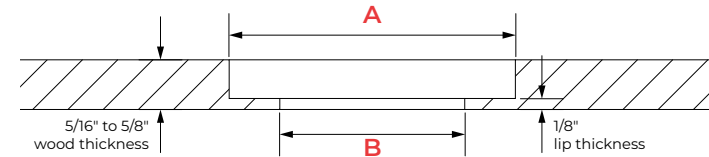
MILLWORK CEILING

Cut opening in wood ceiling [DD] with router [EE].



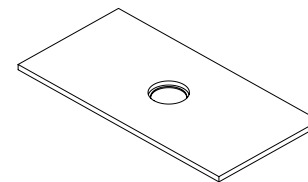
Follow the table for dimensions based on size and baffle shape.

Note: The baffle opening is cut-through, but the collar opening is a step-hole that is at the back face of the ceiling.

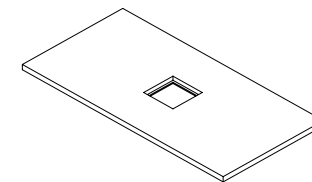


	A	B
	Collar Opening	Baffle Opening
3" Round	Ø 3 1/2"	Ø 3 1/16"
3" Square	3 1/2" x 3 1/2"	3 1/16" x 3 1/16"
4" Round	Ø 4 1/2"	Ø 4 1/16"
4" Square	4 1/2" x 4 1/2"	4 1/16" x 4 1/16"

BACK FACE OF CEILING



Round



Square

AERA 3-4

Downlights - Recessed Open Frame (OF), IC Rated (IC), Chicago Plenum (CP)

LUMENWERX

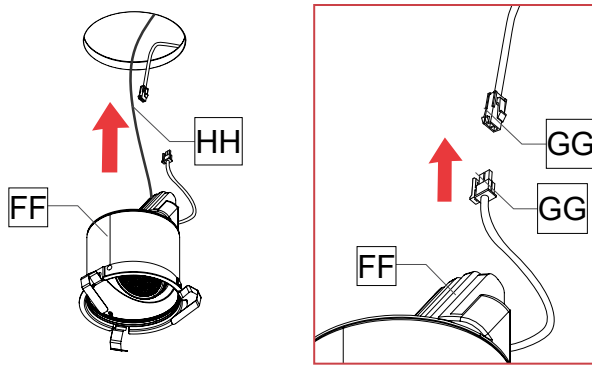
LIGHT ELEMENT & BAFFLE

1 INSTALL LIGHT ELEMENT.

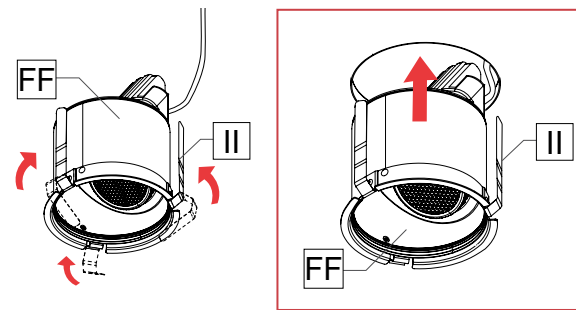
FLANGED TRIM

Bring the light element [FF] closer to the ceiling. Connect the light element [FF] to driver in housing with quick connectors [GG].

Attach the safety cable [HH] to a suitable point in the ceiling.



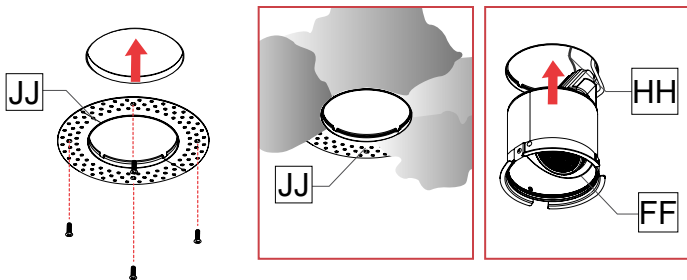
Squeeze spring clips [II] upwards onto light element [FF]. Insert light element [FF] into opening until spring clips [II] snap back above the ceiling in the housing.



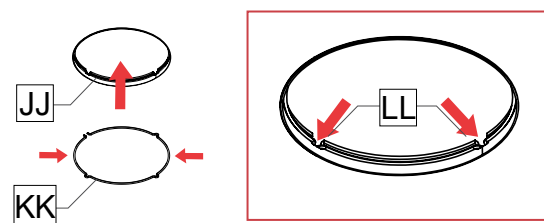
TRIMLESS DRYWALL MUDPLATE

Attach mudplate [JJ] to ceiling and screw onto ceiling. Plaster and sand over mudplate [JJ]. Insert light element [FF] into opening.

Attach the safety cable [HH] to a suitable point in the ceiling.



Squeeze spring ring [KK] into the mudplate [JJ] at the edge. Spring ring [KK] will snap into the mudplate notches [LL] around the mudplate edge.

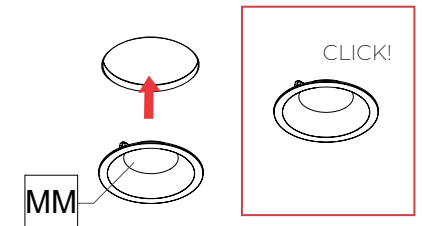


2 INSTALL BAFFLE.

FLANGED TRIM

Snap in baffles [MM] in place into ceiling opening until audible click is heard.

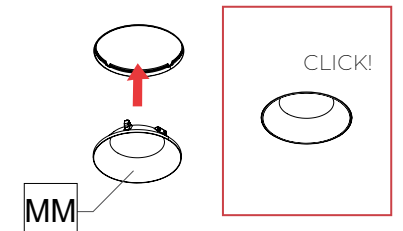
Note: Before installing baffle on adjustable models, see page 14 for light element adjustment instructions (if required).



TRIMLESS DRYWALL MUDPLATE

Snap in baffles [MM] in place into ceiling opening until audible click is heard.

Note: Before installing baffle on adjustable models, see page 14 for light element adjustment instructions (if required).



AERA 3-4

Downlights - Recessed Open Frame (OF), IC Rated (IC), Chicago Plenum (CP)

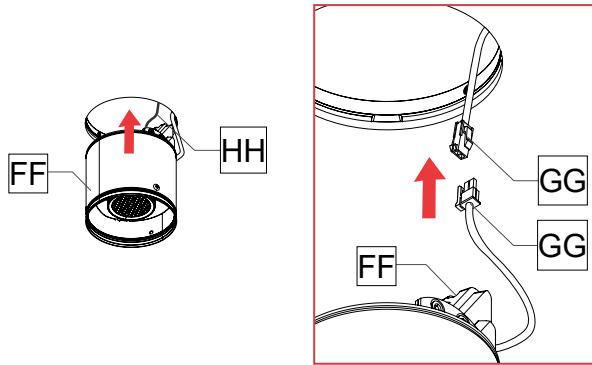
LUMENWERX

1 INSTALL LIGHT ELEMENT.

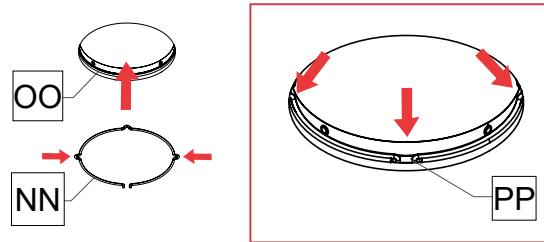
TRIMLESS MILLWORK

Connect the light element [FF] to driver in housing with quick connectors [GG] and install from below.

Attach the safety cable [HH] to a suitable point in the ceiling.



Squeeze spring ring [NN] into the millwork adapter [OO] to keep the light module in place. Spring ring [NN] will snap into the millwork adapter notches [PP] around the millwork adapter edge.



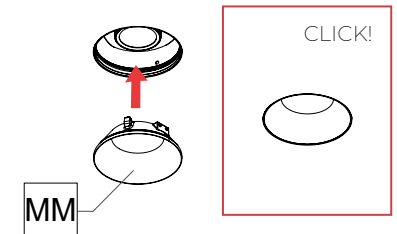
2 INSTALL BAFFLE.

TRIMLESS MILLWORK

Snap in baffles [MM] in place into ceiling opening until audible click is heard.

Note: Edge of the trim should be flush with the surface.

Note: Before installing baffle on adjustable models, see page 14 for light element adjustment instructions (if required).



AERA 3-4

LUMENWERX

Downlights - Recessed Open Frame (OF), IC Rated (IC), Chicago Plenum (CP)

AERA ADJUSTABLE - LIGHT ELEMENT ADJUSTMENT INSTRUCTIONS

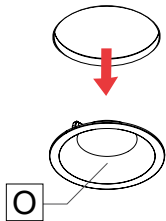


Shown with Aera round adjustable, but applies to Aera square adjustable also.

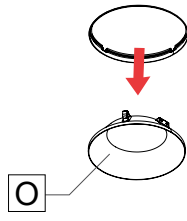
1 REMOVE BAFFLE.

Remove baffle [O] from ceiling.

FLANGED TRIM

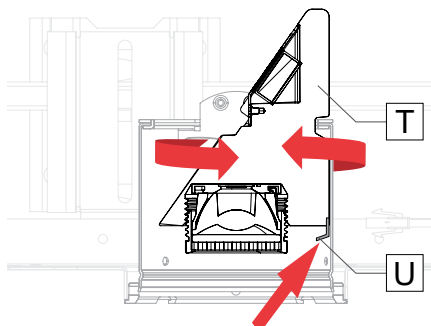


TRIMLESS MUDPLATE



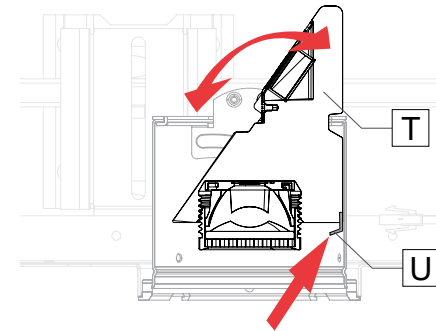
3 ROTATE OPTIC.

Use the tab [U] as leverage to rotate the optic [T].



2 TILT OPTIC.

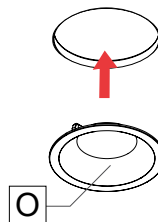
Push or pull the tab [U] to tilt the optic [T] into position.



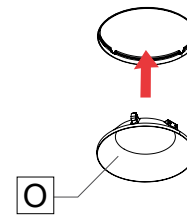
4 REINSTALL BAFFLE.

Snap in baffles [O] in place into ceiling opening until audible click is heard.

FLANGED TRIM



TRIMLESS MUDPLATE



AERA 3-4

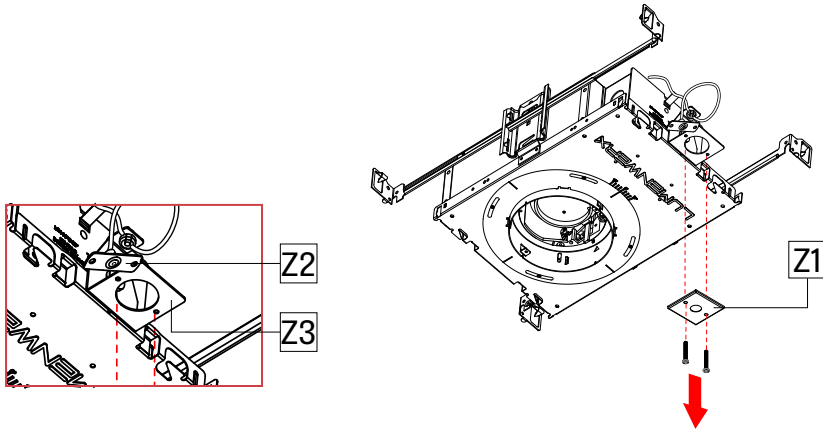
Downlights - Recessed Open Frame (OF), IC Rated (IC), Chicago Plenum (CP)

LUMENWERX

EMERGENCY BATTERY OPTION

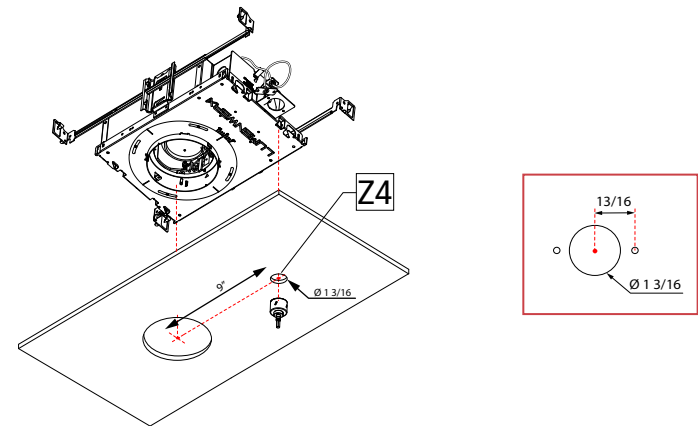
1 REMOVE COVER PLATE.

Unscrew cover plate [Z1]. Make sure the test switch bracket [Z2] is mounted on magnet [Z3] on the housing.



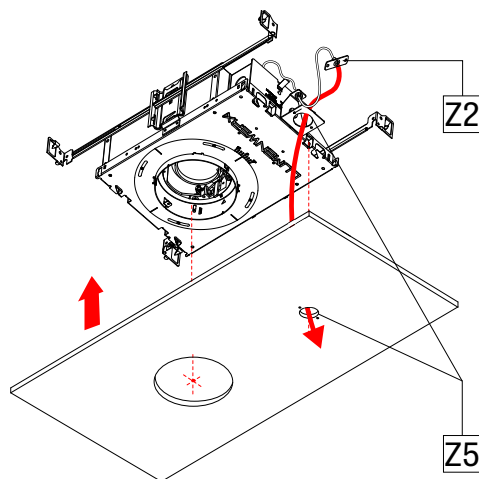
2 CEILING CUT-OUT.

Cut the ceiling with the adjustable hole saw ($\text{\O} 1\ 3/16''$) [Z4] or a drywall router. Follow standard instructions for other steps.



3 BRING TEST SWITCH BRACKET THROUGH HOLE.

Take the test switch bracket [Z2] off the magnet and pull it out of the holes [Z5].



4 INSTALL TEST SWITCH TO CEILING.

Screw cover plate [Z1] and test switch bracket [Z2] back after installing the ceiling panel.

