


AERA FLEX CYLINDER


Pendant - Flat Canopy



 This product must be installed in accordance with the National Electrical Code and all applicable local codes, by a person familiar with the construction and operation of the product, and the hazards involved. Proper grounding is required for safety.

Ce produit doit être installé suivant le code national de l'électricité, ainsi que tous les codes locaux applicables, par une personne familière avec la construction et le fonctionnement du produit, ainsi que tous les risques qui y sont associés. La mise à terre électrique est obligatoire pour la sécurité.

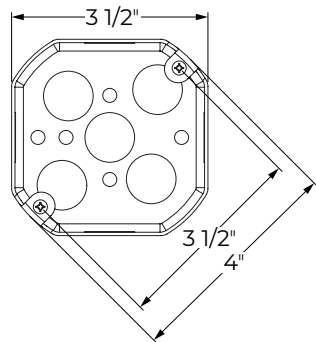
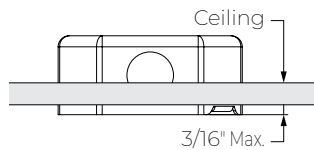
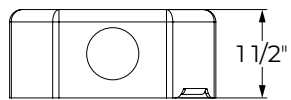
 Wire dimming conductors as Class 1.

 For electrical connections, please refer to the [wiring diagram guide](#).



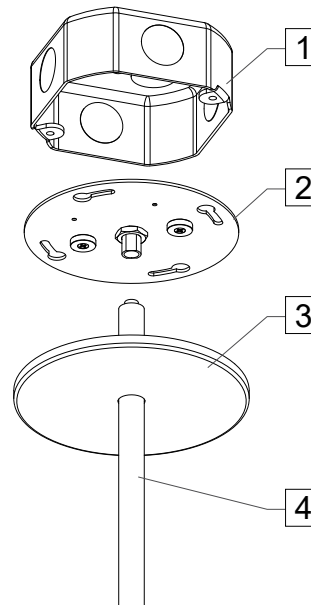
OVERVIEW


Junction box (by others)



Standard 4" octagonal junction box

Stem



Tools Required	
	Philips screwdriver

Items list

1	Standard J-box (by others)
2	Mounting plate
3	Flat canopy
4	Stem

 Installation steps are shown with remote driver, also applicable for integral driver.

 For remote driver box, please refer to the [remote driver installation sheet](#) for more information.



AERA FLEX CYLINDER Pendant - Flat Canopy

STEM

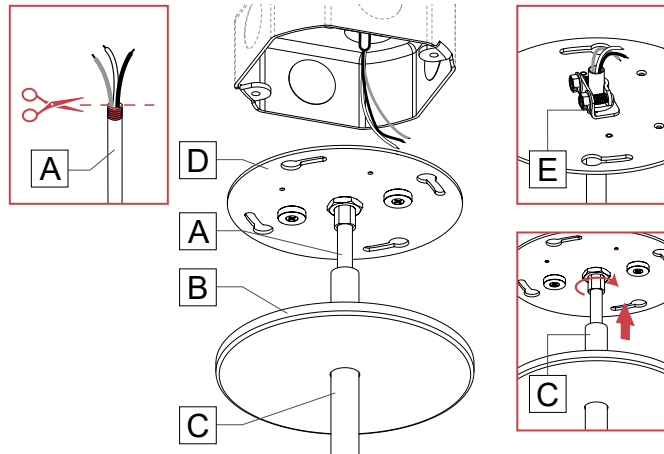
1 INSTALL STEM.

Adjust the cable length by cutting and stripping the fixture cable [A] to the desired length for the height of the fixture.

Slide the canopy [B] over the stem [C] and pass the cable [A] through the stem and the mounting plate [D].

Tighten the cord grip [E].

Mount the stem [C] on the threaded nipple.

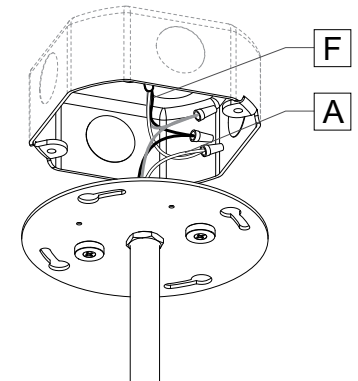


2 MAKE ELECTRICAL CONNECTIONS.

Make electrical connections between the fixture cable [A] and the remote driver feed [F] using wire nuts (by others).

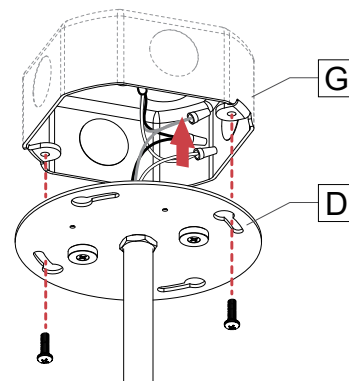
Note: Number of wires may vary.

Warning: A luminaire with more than one power supply connection means shall be connected to only one branch circuit.



3 FIX MOUNTING PLATE.

Mount and turn the mounting plate [D] to place on the junction box [G]. Tighten screws to secure the mounting plate [D] to the junction box.



4 MOUNT CANOPY.

Cover the mounting plate [D] with the canopy [B] under the provided magnets.

