

# AERA FLEX CYLINDER

## Recessed - Open Frame (OF)



This product must be installed in accordance with the National Electrical Code and all applicable local codes, by a person familiar with the construction and operation of the product, and the hazards involved. Proper grounding is required for safety.

Ce produit doit être installé suivant le code national de l'électricité, ainsi que tous les codes locaux applicables, par une personne familière avec la construction et le fonctionnement du produit, ainsi que tous les risques qui y sont associés. La mise à terre électrique est obligatoire pour la sécurité.



Wire dimming conductors as Class 1.



For electrical connections, please refer to the [wiring diagram guide](#).



## OVERVIEW

### Warnings

Install per national installation and accident prevention regulations.

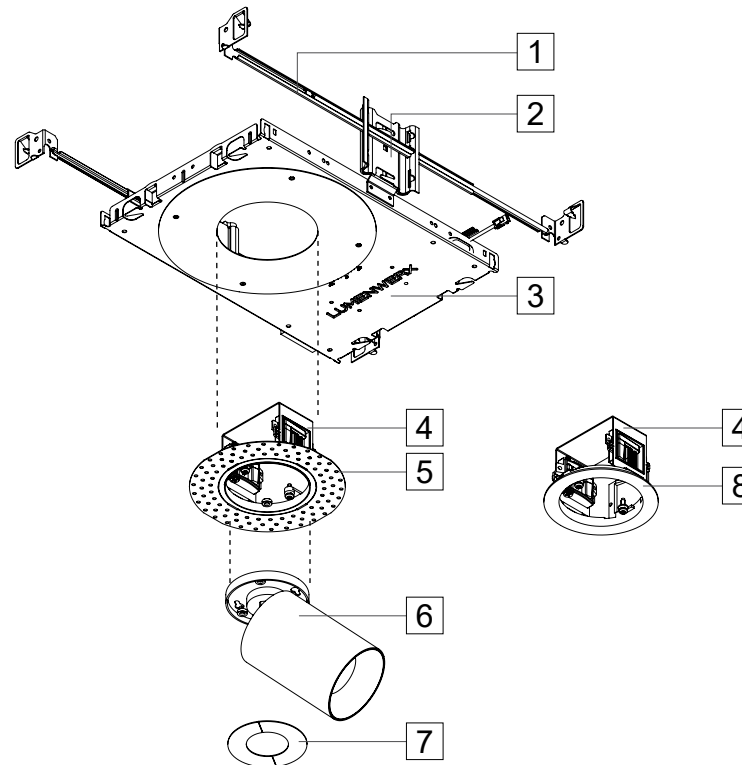
Clearance between sides of luminaire and parts of building must be 1/2" minimum; clearance to insulating materials to be 3" minimum, unless luminaires is IC rated.

Fixtures must be installed in applications where the ambient temperature does not exceed 40° C during normal operation.

Do not connect or disconnect LED board wire connector when the fixture is energized. This may result in permanent damage to the LED array.

Warranty claims will not be accepted if incorrect driver or light element is used.

Do not cover the light element lens or heatsink with any materials or adhesive tapes.



Trimless Drywall  
Mudplate

Flanged Trim

### Index

Go to pages related to product configuration.

Housing Installation.....	P.3
Electrical Connection.....	P.3
Ceiling Preparation.....	P.3
Light assembly .....	P.4

### Tools Required

- Adjustable Hole Cutter
- Drywall Knife or router
- Philips screwdriver
- Flat tool

### Items list

1	Bar hangers
2	Bracket
3	Mounting frame
4	Mounting system
5	Mudplate
6	Light assembly
7	Cover plate
8	Flanged trim



For remote driver box, please refer to the [remote driver installation sheet](#) for more information.



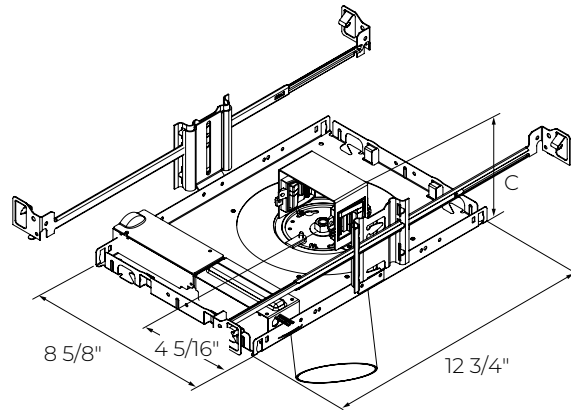
# AERA FLEX CYLINDER

## Recessed - Open Frame (OF)

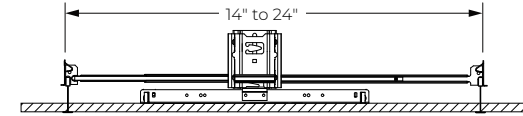
### OVERVIEW - OPTIONS

#### INSTALLATION TYPE

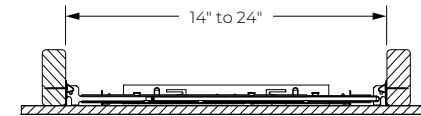
Open Frame Type Non-IC



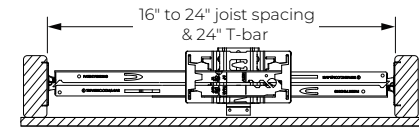
#### MOUNTING OPTIONS



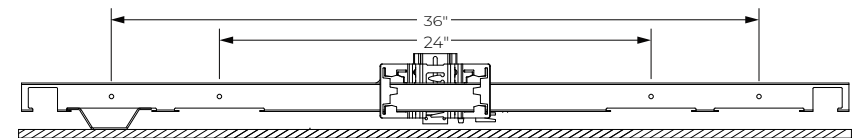
Adjustable Standard Bar Hanger (ASB)



Flush Mount Bars (FMB)



Adjustable Commercial Bar Hanger (ACB)



Adjustable Hat Channel Bars (AHC)

# AERA FLEX CYLINDER

## Recessed - Open Frame (OF)

### 1 INSTALL HOUSING SYSTEM.

Install the housing by referring to the installation instructions in the [downlight mounting option guide](#).



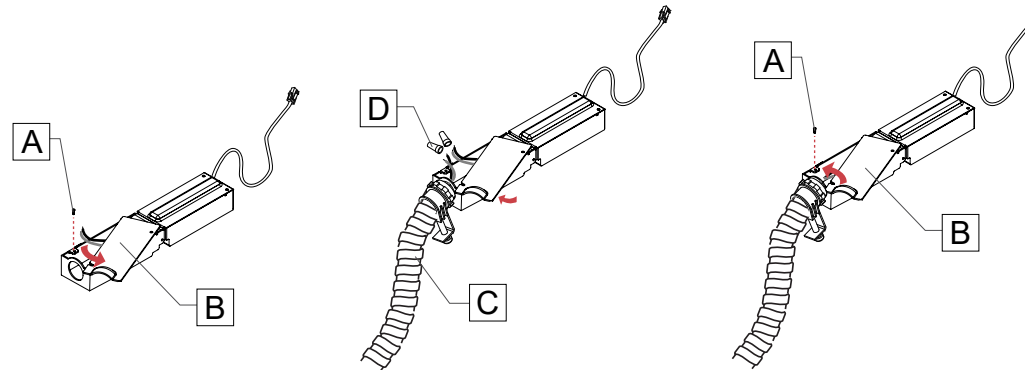
### 2 MAKE ELECTRICAL CONNECTIONS.

Unfasten screw [A] and pivot the cover [B] to access the wires.

Install main power cable [C] and make the electrical connections with wire nuts [D] (by others).

Twist the cover [B] back and close it with the screws [A].

**Note:** Number of wires may vary.



For electrical connections, please refer to the [wiring diagram guide](#).

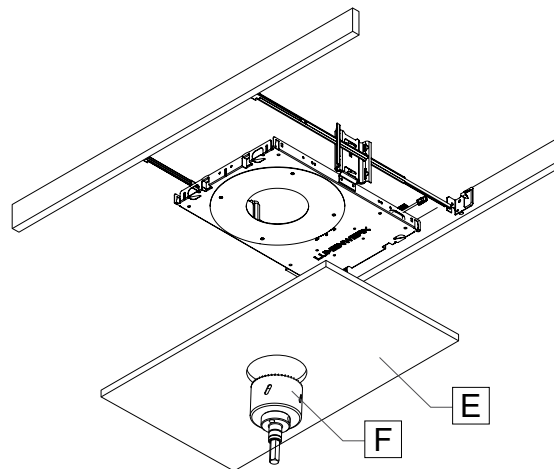


### 3 PREPARE CEILING.

Cut opening in drywall ceiling or grid ceiling tile [E] with router or drywall knife [F].

Install the ceiling [E].

CUT-OUT DIMENSIONS	
TRM/ TLMP	Ø 3 7/8"
PLENUM CLEARANCE HEIGHT REMOTE & INTEGRAL	
DI/ELV/TRI	LDEI/DA/ELDI/ELDO
4 1/8"	6"
MAXIMUM CEILING THICKNESS	
TRM/ TLMP	1 3/8"



# AERA FLEX CYLINDER

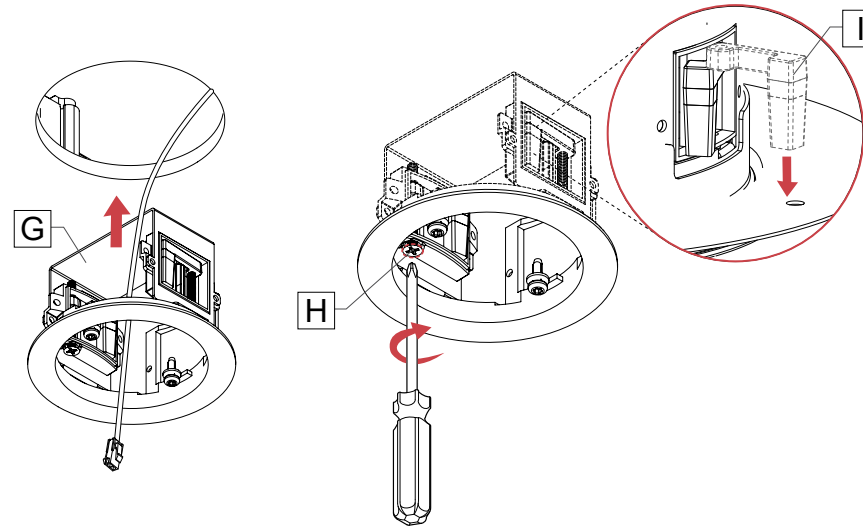
## Recessed - Open Frame (OF)

### 4 INSTALL MOUNTING SYSTEM.

#### FLANGED TRIM

Insert the mounting system [G] into the ceiling.

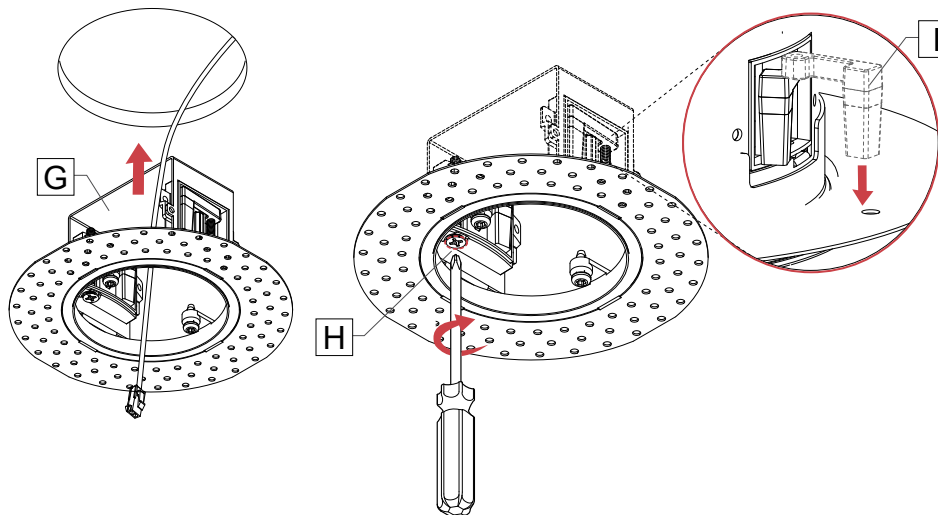
With a standard Philips screwdriver, tighten the two screws [H] on the mounting system [G] until the leg [I] sits on the ceiling.



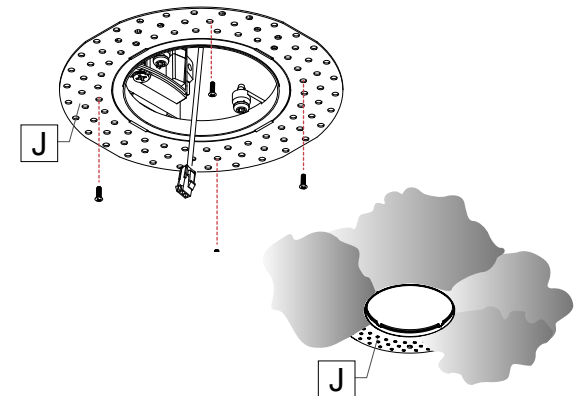
#### TRIMLESS DRYWALL MUDPLATE

Insert the mounting system [G] into the ceiling.

With a standard Philips screwdriver, tighten the two screws [H] on the mounting system [G] until the leg [I] sits on the ceiling.



Screw mudplate [J] onto ceiling.  
Plaster and sand over mudplate [J].

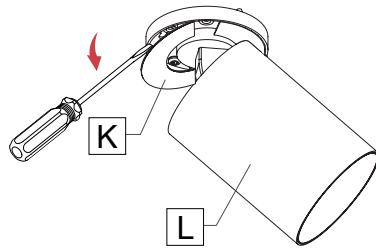


# AERA FLEX CYLINDER

## Recessed - Open Frame (OF)

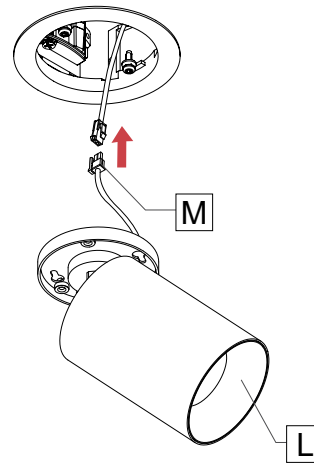
### 6 PREPARE LIGHT ELEMENT.

Remove cover plate [K] from light assembly [L] with a flat tool.



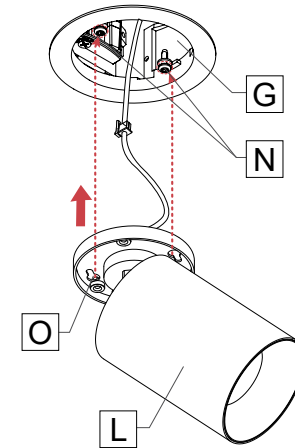
### 7 CONNECT LIGHT ELEMENT.

Bring the light assembly [L] closer to the ceiling. Connect the light assembly [L] to driver in housing with quick connectors [M].



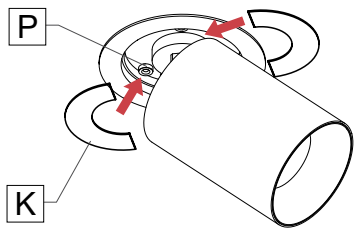
### 8 INSTALL LIGHT ELEMENT.

Insert light assembly [L] into mounting system [G] in ceiling. Align mounting bracket screws [N] to keyholes [O] and rotate. Tighten screws [N].

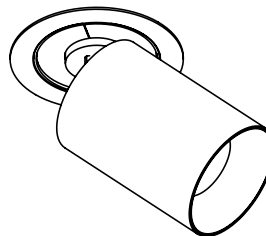


### 9 REINSTALL COVER PLATE.

Install cover plate [K] onto magnets [P].



FLANGED TRIM



TRIMLESS DRYWALL MUDPLATE

