

AERA FLEX CYLINDER

Recessed - Remodel (RM)



! This product must be installed in accordance with the National Electrical Code and all applicable local codes, by a person familiar with the construction and operation of the product, and the hazards involved. Proper grounding is required for safety.

Ce produit doit être installé suivant le code national de l'électricité, ainsi que tous les codes locaux applicables, par une personne familière avec la construction et le fonctionnement du produit, ainsi que tous les risques qui y sont associés. La mise à terre électrique est obligatoire pour la sécurité.

! Wire dimming conductors as Class 1.

💡 For electrical connections, please refer to the [wiring diagram guide](#).



OVERVIEW

! Warnings

Install per national installation and accident prevention regulations.

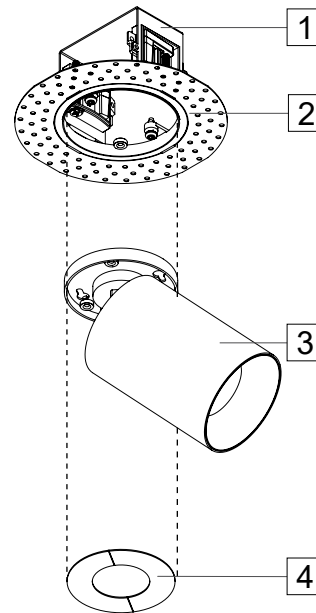
Clearance between sides of luminaire and parts of building must be 1/2" minimum; clearance to insulating materials to be 3" minimum, unless luminaires is IC rated.

Fixtures must be installed in applications where the ambient temperature does not exceed 40° C during normal operation.

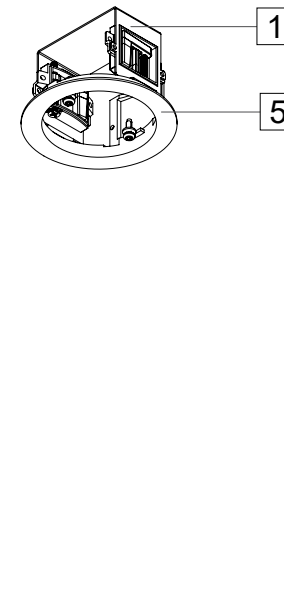
Do not connect or disconnect LED board wire connector when the fixture is energized. This may result in permanent damage to the LED array.

Warranty claims will not be accepted if incorrect driver or light element is used.

Do not cover the light element lens or heatsink with any materials or adhesive tapes.



Trimless Drywall
Mudplate



Flanged Trim

🔧 Tools Required

Adjustable Hole Cutter
Drywall Knife or router
Philips screwdriver
Flat tool

Items list

1	Mounting system
2	Mudplate
3	Light assembly
4	Cover plate
5	Flanged trim



For remote driver box, please refer to the [remote driver installation sheet](#) for more information.



AERA FLEX CYLINDER

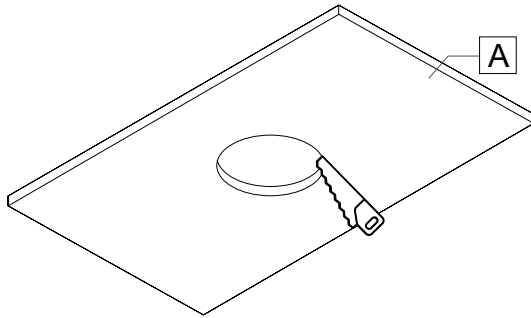
Recessed - Remodel (RM)



1 PREPARE CEILING.

Cut opening in drywall ceiling or grid ceiling tile [A] with router or drywall knife.

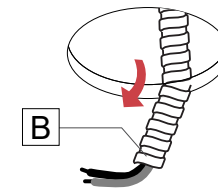
Install the ceiling [A].



CUT-OUT DIMENSIONS	
TRM/ TLMP	Ø 3 7/8"
PLENUM CLEARANCE HEIGHT REMOTE & INTEGRAL	
D1/ELV/TRI	LDEI/DA/ELDI/ELDO
2 3/4"	N/A
MAXIMUM CEILING THICKNESS	
TRM/ TLMP	1 3/8"

2 LOWER MAIN POWER CABLE.

Bring main power cable [B] from the ceiling opening.

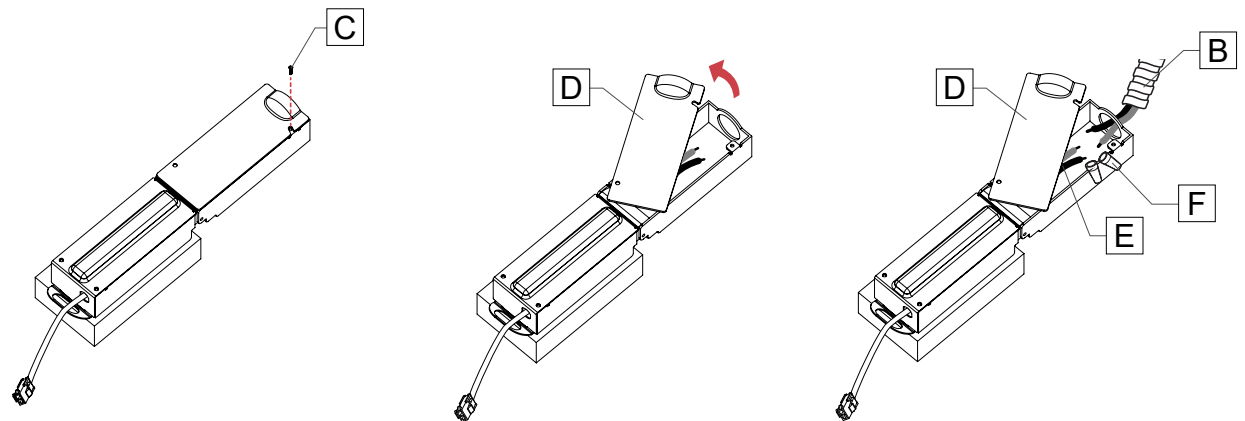


3 MAKE ELECTRICAL CONNECTIONS.

Unfasten screw [C] and pivot the cover [D].
Make electrical connections between main power cable [B] and driver cables [E] with wire nuts [F] (by others).

Reinstall the cover [D] by pivoting it back into place, and tighten the screw [C] to secure the cover [D].

Note: Number of wires may vary.



For electrical connections, please refer to the [wiring diagram guide](#).



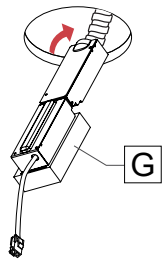
AERA FLEX CYLINDER

Recessed - Remodel (RM)



4 INSERT DRIVER.

Place the driver [G] into the ceiling.

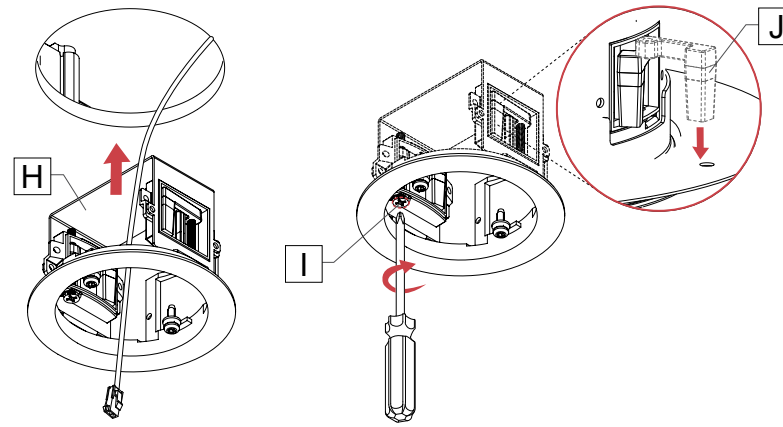


5 INSTALL MOUNTING SYSTEM.

FLANGED TRIM

Insert the mounting system [H] into the ceiling.

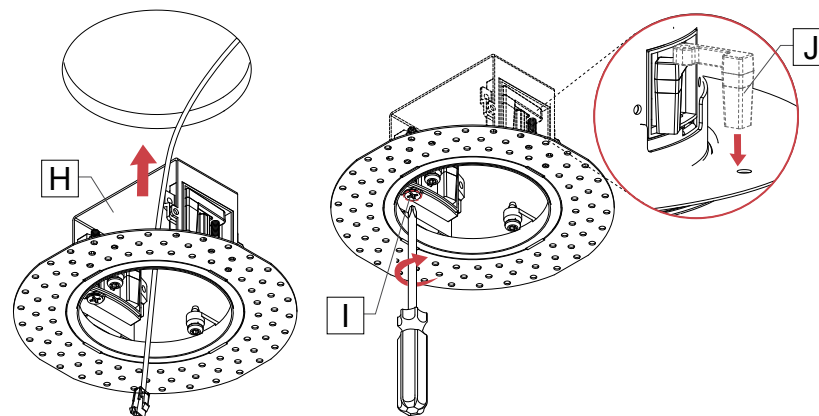
With a standard Philips screwdriver, tighten the two screws [I] on the mounting system [H] until the leg [J] sits on the ceiling.



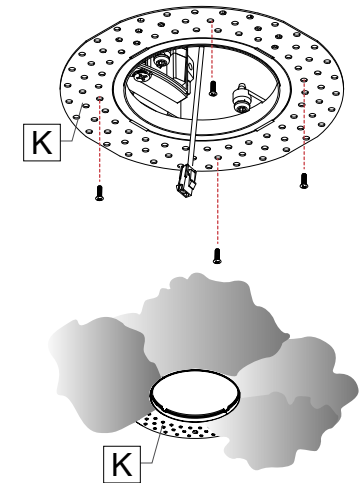
TRIMLESS DRYWALL MUDPLATE

Insert the mounting system [H] into the ceiling.

With a standard Philips screwdriver, tighten the two screws [I] on the mounting system [H] until the leg [J] sits on the ceiling.



Screw mudplate [K] onto ceiling.
Plaster and sand over mudplate [K].



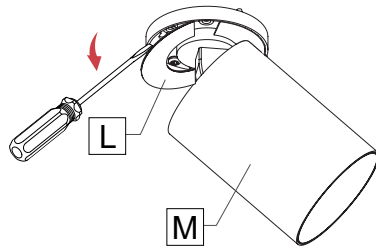
AERA FLEX CYLINDER

Recessed - Remodel (RM)



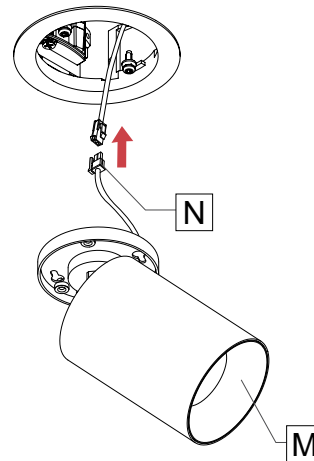
6 PREPARE LIGHT ELEMENT.

Remove cover plate [L] from light assembly [M] with a flat tool.



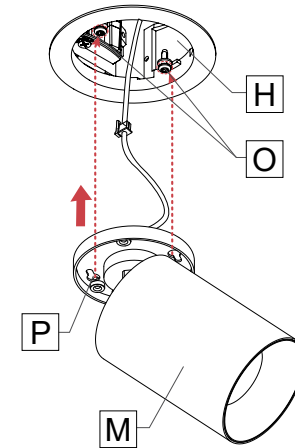
7 CONNECT LIGHT ELEMENT.

Bring the light assembly [M] closer to the ceiling. Connect the light assembly [M] to driver in housing with quick connectors [N].



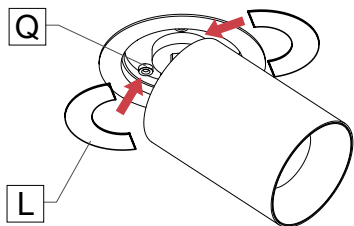
8 INSTALL LIGHT ELEMENT.

Insert light assembly [M] into mounting system [H] in ceiling. Align mounting bracket screws [O] to keyholes [P] and rotate. Tighten screws [O].

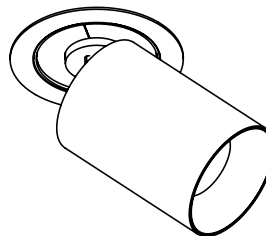


9 REINSTALL COVER PLATE.

Install cover plate [L] onto magnets [Q].



FLANGED TRIM



TRIMLESS DRYWALL MUDPLATE

