

AERA FLEX CYLINDER

Surface - Flat, Conduit feed, Direct mount



! This product must be installed in accordance with the National Electrical Code and all applicable local codes, by a person familiar with the construction and operation of the product, and the hazards involved. Proper grounding is required for safety.

Ce produit doit être installé suivant le code national de l'électricité, ainsi que tous les codes locaux applicables, par une personne familière avec la construction et le fonctionnement du produit, ainsi que tous les risques qui y sont associés. La mise à terre électrique est obligatoire pour la sécurité.

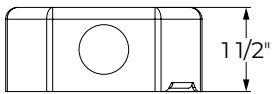
! Wire dimming conductors as Class 1.

💡 For electrical connections, please refer to the [wiring diagram guide](#).

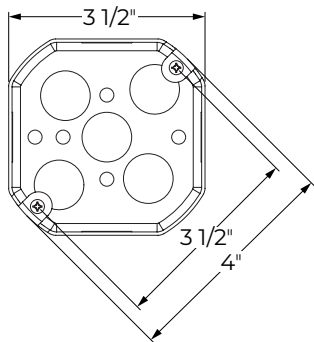


OVERVIEW

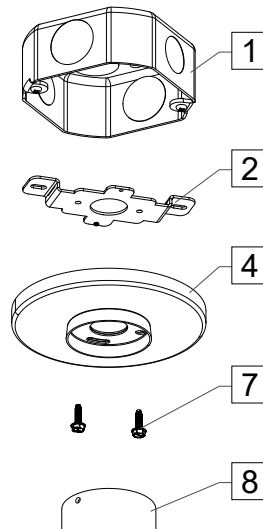
Junction box (by others)



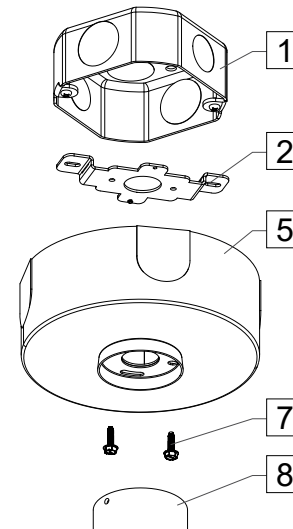
Standard 4" octagonal junction box



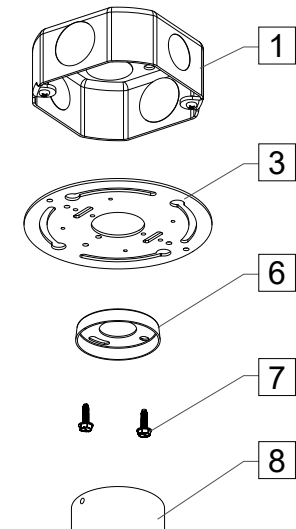
Flat canopy



Conduit feed canopy



Direct mount



Installation steps are shown with remote driver, also applicable for integral driver.



For remote driver box, please refer to the [remote driver installation sheet](#) for more information.



Index

Go to pages related to product configuration.

Flat canopy.....	P.2
Conduit feed canopy.....	P.3
Direct mount, new construction..	P.4
Direct mount, remodel.....	P.6



Tools Required

- Allen key 5/64
- Philips screwdriver
- Socket screwdriver 1/4"
- Gypsum cutter or milling hand tool

Items list

1	Junction box (by others)
2	Crossbar
3	Mounting plate
4	Flat canopy assembly
5	Conduit canopy assembly
6	Adapter piece
7	6-32 screw
8	Housing assembly



AERA FLEX CYLINDER

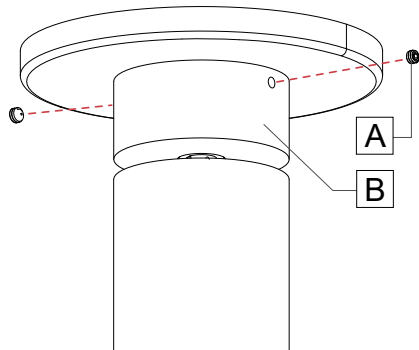
Surface - Flat, Conduit feed, Direct mount



FLAT CANOPY

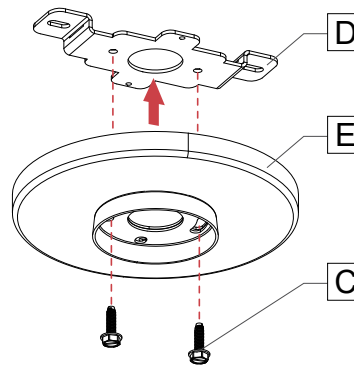
1 REMOVE SET SCREWS.

Remove set screws [A] from the housing assembly [B].



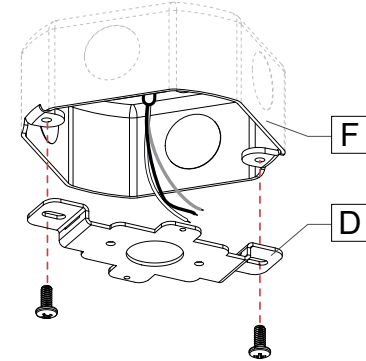
2 DETACH CROSSBAR.

Remove two screws [C] to detach the crossbar [D] from the canopy assembly [E].



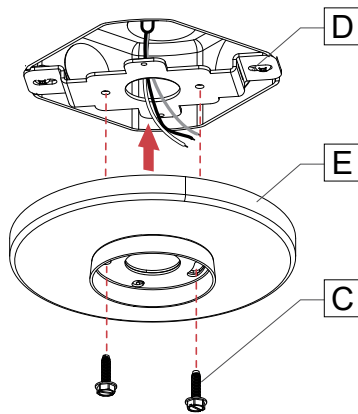
3 INSTALL CROSSBAR.

Attach and secure the crossbar [D] onto the junction box [F].



4 INSTALL CANOPY ASSEMBLY.

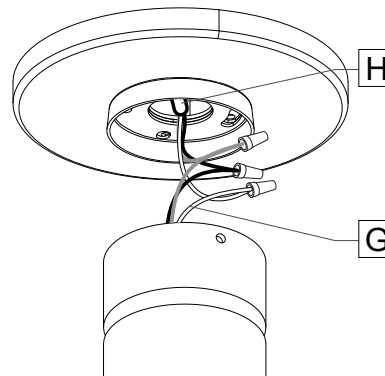
Attach the canopy assembly [E] with provided two screws [C] onto the crossbar [D].



5 MAKE ELECTRICAL CONNECTIONS.

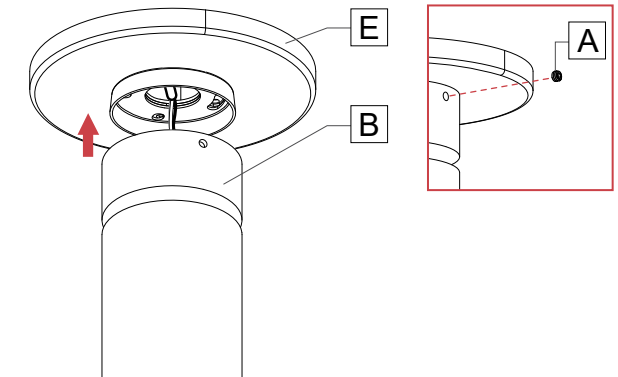
Make electrical connections between the fixture cable [G] and the remote driver feed [H] using wire nuts (by others).

Note: Number of wires may vary.



6 INSTALL HOUSING ASSEMBLY.

Place the housing assembly [B] over the canopy assembly [E] and secure with the provided set screws [A].



AERA FLEX CYLINDER

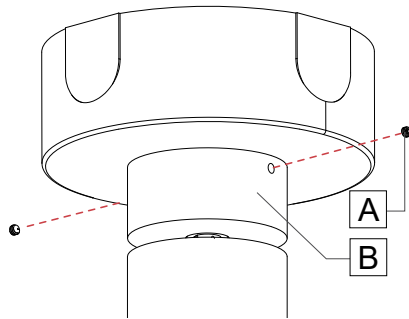
Surface - Flat, Conduit feed, Direct mount



CONDUIT FEED CANOPY

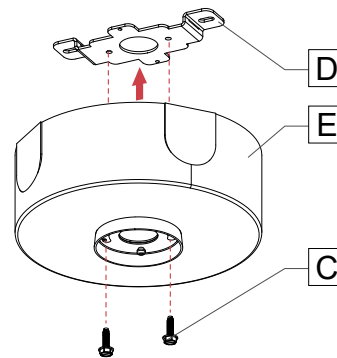
1 REMOVE SET SCREWS.

Remove set screws [A] from the housing assembly [B].



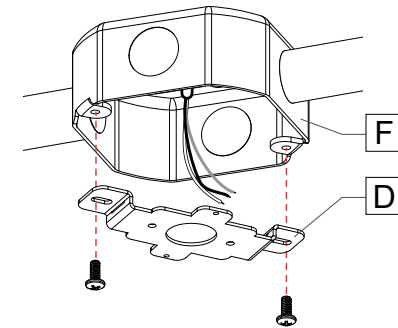
2 DETACH CROSSBAR.

Remove hex screws [C] to detach the crossbar [D] from the canopy assembly [E].



3 INSTALL CROSSBAR.

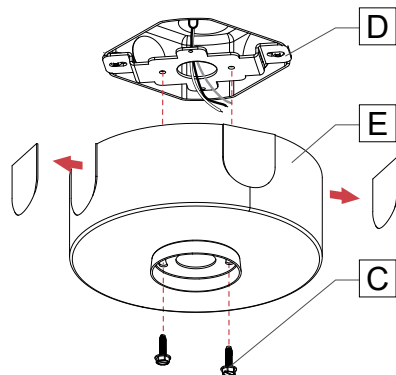
Attach and secure the crossbar [D] onto the junction box [F].



4 INSTALL CANOPY ASSEMBLY.

Remove the necessary knock outs to allow the conduits to connect onto junction box.

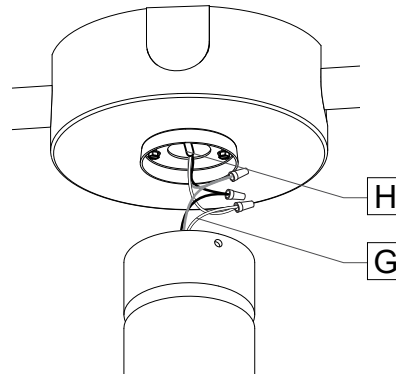
Attach the canopy assembly [E] with provided hex screws [C] onto the crossbar [D].



5 MAKE ELECTRICAL CONNECTIONS.

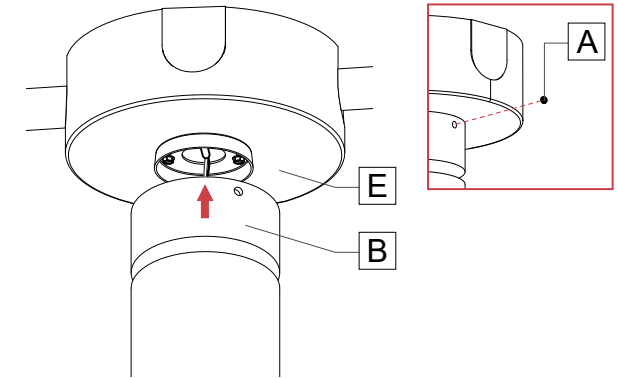
Make electrical connections between the fixture cable [G] and the remote driver feed [H] using wire nuts (by others).

Note: Number of wires may vary.



6 INSTALL HOUSING ASSEMBLY.

Place the housing assembly [B] over the canopy assembly [E] and secure with the provided set screws [A].



AERA FLEX CYLINDER

Surface - Flat, Conduit feed, Direct mount

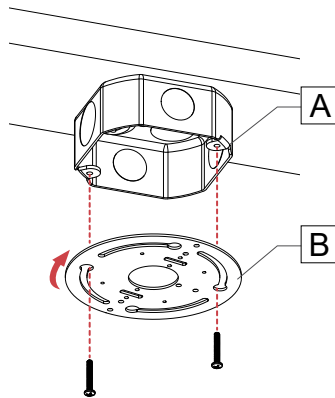


DIRECT - JUNCTION BOX (New construction)

1 INSTALL JUNCTION BOX AND MOUNTING PLATE.

Install and reinforce junction box [A] (by others) to ceiling structure.

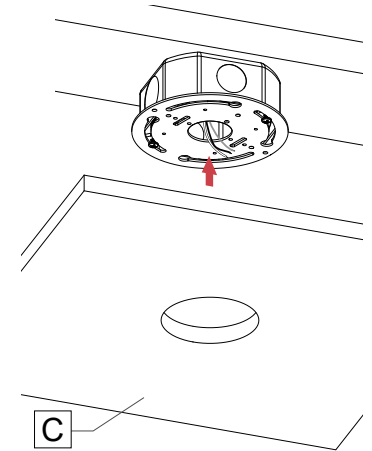
Mount and turn the mounting plate [B] to place on the junction box. Tighten screws to secure the mounting plate to the junction box.



2 PREPARE DRYWALL CEILING.

Install the drywall [C]. Prepare the area where the fixture is going to be installed.

Cut a 2 3/4" dia hole in the drywall.

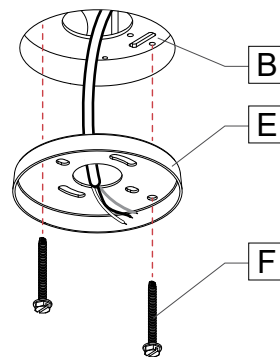
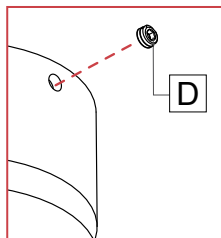


3 INSTALL ADAPTER PIECE TO CEILING.

Remove set screws [D] from the housing assembly.

Pass the remote driver feed through the adapter piece [E].

Attach the adapter piece [E] with provided hex screws [F] onto the mounting plate [B].

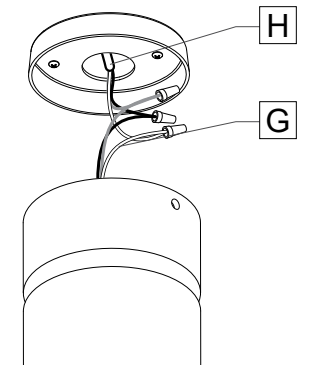


4 MAKE ELECTRICAL CONNECTIONS.

Make electrical connections between the fixture cable [G] and the remote driver feed [H] using wire nuts (by others).

Note: Number of wires may vary.

Warning: A luminaire with more than one power supply connection means shall be connected to only one branch circuit.



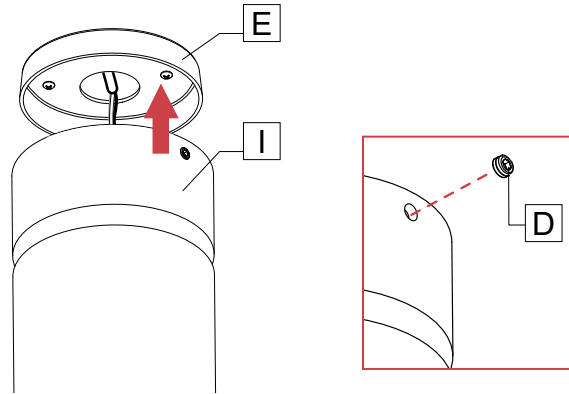
AERA FLEX CYLINDER

Surface - Flat, Conduit feed, Direct mount



5 INSTALL HOUSING ASSEMBLY.

Put the housing assembly [I] back to the adapter piece [E] and secure with the provided set screws [D].



AERA FLEX CYLINDER

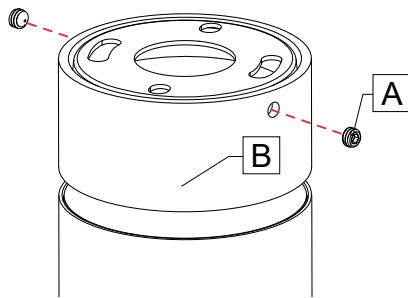
Surface - Flat, Conduit feed, Direct mount



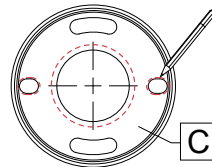
DIRECT - DIRECT FEED (Remodel)

1 INSTALL ADAPTER PIECE TO CEILING.

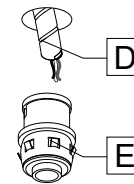
Remove set screws [A] from the housing assembly [B].



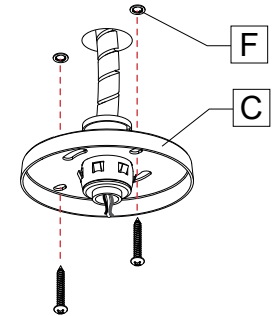
Locate where the fixture will be installed. Use the adapter piece [C] as a model to mark 2 mounting points and a 7/8" dia hole.



Pierce a 7/8" dia hole and bring the remote driver feed [D] through the hole and connect the remote driver feed to the adapter [E] (by others).



Install screw anchors [F] (by others) where the hole was made and install the adapter piece [C] with screws (by others).



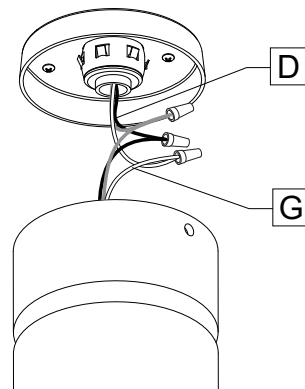
2 MAKE ELECTRICAL CONNECTIONS.

Make electrical connections between the fixture cable [G] and the remote driver feed [D] using wire nuts (by others).

Note: Number of wires may vary.

Warning: A luminaire with more than one power supply connection means shall be connected to only one branch circuit.

Note: No daisy chain connections allowed.



3 INSTALL HOUSING ASSEMBLY.

Place the housing assembly [B] back to the adapter piece [C] and secure with the provided set screws [A].

