

AERA 2" CYLINDER

SURFACE, SURFACE ASYMMETRIC

LUMENWERX



Project: _____

Type: _____

True-to-size with a versatile minimalist aesthetic, Aera Cylinder luminaires are high-performance fixtures, delivering visually comfortable lighting suitable for a wide range of applications.



4" Height
Bevel



8" Height
Decorative Bevel



12" Height
Pinhole

Beam Angles



Low UGR < 10 in 15°, 25°, 35°, and 50° beams

Performance

LUMEN OUTPUT ¹	WATTS	EFFICACY
552 lm	7 W	79 lm/W
727 lm	10 W	73 lm/W

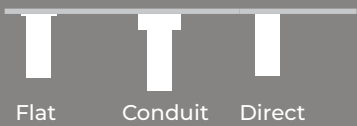
¹Lumen packages are assuming 3500K, 80 CRI, 35° beam, bevel baffle, SDL lens option.

Light Source

- Static White
- Full Spectrum
- SOLA - Dim-to-Warm
- DUO - Tunable White



Mounting Options



Certifications



COB

2 Step Color Binning
Up to 95 CRI

Driver

1%, 0.1% Dimming Available
0-10V, TRIAC, ELV, Lutron EcoSystem, DALI, DMX
Emergency Battery (optional)

Aera Family (Refer to other spec sheets)

Downlight

- 2" / 3" / 4" Round / Square Recessed Adjustable
- 2" / 3" / 4" Round / Square Recessed
- 2" / 3" / 4" Round / Square Recessed Wall Wash

Multi-aperture

- 2" / 3" / 4" Round / Square Recessed Adjustable
- 2" / 3" / 4" Round / Square Recessed
- 2" / 3" / 4" Round / Square Recessed Wall Wash

Cylinder

- 2" / 3" / 4" / 5" 4" Seal Pendant Pendant Asymmetric Pendant Wall Wash
- 2" / 3" / 4" / 5" 4" Seal Wall Wall Asymmetric Wall Asymmetric Surface Asymmetric Surface Wall Wash



AERA 2" CYLINDER

SURFACE, SURFACE ASYMMETRIC

LUMENWERX

Project: _____

Type: _____

Order Guide



For an ENERGY STAR® certified fixture, see page 3.
For a Title 24 JA8 compliant fixture, see page 4.

LUMINAIRE ID ¹	DISTRIBUTION	CYLINDER HEIGHT	CYLINDER FINISH	BAFFLE STYLE	BAFFLE FINISH
	D				
AE2CYS - Aera 2" Cylinder Surface AE2CYSASY - Aera 2" Cylinder Surface Asymmetric ¹ Surface Wall Wash also available. Consult other spec sheet.	D - Direct	4IN ² - 4" 8IN - 8" 12IN - 12" CH#IN ³ - Custom height ² Not available with DMNC/DMRM canopy options when specified with integral drivers. ³ Specify height (#) in 1" increments only. Up to maximum 36". For minimum heights, see page 5.	FTMW - Textured matte white FTMB - Textured matte black FCHP - Champagne CF# - Custom finish, specify RAL#	BVL - Bevel PHL - Pinhole BVLD - Decorative bevel	FTMW - Textured matte white FTMB - Textured matte black FSPC - Specular FSSPC - Semi-specular FCHP - Champagne CF# - Custom finish, specify RAL#

LENS * See page 5 for details	LIGHT SOURCE	BEAM	COLOR QUALITY	CRI	COLOR TEMP.	ACCESSORIES * See page 5 for details	VOLTAGE
At baffle (choose 1 option) Specify NOL for Pinhole SDL - Soft diffused lens, Solite FDL - Frosted diffused lens CL - Clear lens NOL - No lens	SW - Static white FS - Full spectrum	15DEG ⁴ - 15° Narrow spot 25DEG - 25° Spot 35DEG - 35° Narrow flood 50DEG - 50° Wide flood 80DEG ⁵ - 80° Very wide flood 90DEG ⁵ - 90° Open flood ⁴ Not available with full spectrum. ⁵ Not available with Asymmetric.	2STP ⁶ - 2 Step MacAdam Ellipse 3STP - 3 Step MacAdam Ellipse ⁶ Not available with full spectrum.	90CRI ⁷ - 90 CRI 95CRI - 95 CRI 80CRI ⁷ - 80 CRI ⁷ Not available with full spectrum.	27K - 2700K 30K - 3000K 35K - 3500K 40K - 4000K	At light element ^{8,9} (choose up to 2 options) LSDL - Soft diffused lens, Solite LFDL - Frosted diffused lens LS - Linear spread HEX - Hex louver NA - None ⁸ If two options are specified, separate codes with a "+", e.g. LSDL+HEX ⁹ LSDL and LFDL cannot be combined. LS and HEX cannot be combined.	120V - 120V 277V - 277V UNV - 120V-277V 347V ¹⁰ - 347V ¹⁰ Available with RDI driver only. Please consult factory.
	SOLA - Dim-to-warm single channel control 35K to 22K DUO - Tunable white 2-channel control 65K to 27K	50DEG - 50° Wide flood	3STP - 3 Step MacAdam Ellipse	90CRI - 90 CRI	SOLA - Dim-to-warm single channel control 35K to 22K DUO - Tunable white 2-channel control 65K to 27K		

* LSDL or LFDL at light element cannot be combined with SDL, FDL, or CL at baffle. For SOLA/DUO, one of the following lenses must be specified: SDL, FDL, LSDL, or LFDL.

WATTAGE ¹¹		DIMMING ¹²		CANOPY TYPE ¹⁸	CANOPY FINISH Specify NA for DM	OPTION ²²
						NA
SURFACE 7W - 7 W output, up to 560 lm 10W - 10 W output, up to 736 lm ¹¹ Lumen outputs are reduced with full spectrum, consult factory.	SURFACE ASY. 7W - 7 W output, up to 511 lm 10W - 10 W output, up to 689 lm	INTEGRAL D1 - 1% 0-10V ELV ¹³ - ELV 120V TRI ¹³ - TRIAC 120V ¹² PoE (Power-over-Ethernet) compatible. Consult factory for details. ¹³ Available with 120V only.	REMOTE ¹⁴ RDI - 1% 0-10V RELV ¹⁵ - ELV 120V RTRI ¹⁵ - TRIAC 120V RLDE1 ¹⁶ - Lutron Hi-lume 1% Eco RDA ¹⁶ - DALI RELD1 - eldoLED 1% ECOdrive 0-10V RELD0 - eldoLED 0.1% SOLOdrive 0-10V +EB ¹⁷ - Emergency battery ¹⁴ A remote driver box is provided, see page 6 for details. ¹⁵ Available with 120V only. ¹⁶ On-site commissioning is required. ¹⁷ For emergency battery, code will be like the following example: RDI+EB .	FLR ¹⁹ - Flat round canopy, 4" octagonal junction box CDR ¹⁹ - Conduit feed, round canopy DMNC ²⁰ - Direct mount, new construction DMRM ^{20,21} - Direct mount, remodel ¹⁸ See page 6 for details. ¹⁹ 4" long cylinders require a remote driver, or a j-box for integral drivers. See page 6 for details. ²⁰ 4" long cylinders require a remote driver. ²¹ Single wiring entry only. No daisy chain connections allowed.	FTMW - Textured matte white FTMB - Textured matte black FCHP - Champagne CF# - Custom finish, specify RAL# NA - Not applicable	NA - None ²² To specify an ENERGY STAR certified fixture, see page 3. To specify a JA8 compliant fixture, see page 4.
SOLA 8W - 8 W output, up to 250 lm DUO 7W - 7 W output, up to 200 lm	SOLA 8W - 8 W output, up to 200 lm DUO 7W - 7 W output, up to 180 lm	SOLA SD1 - Single 0-10V input SELV ¹³ - ELV 120V STRI ¹³ - TRIAC 120V	SOLA RSD1 - Single 0-10V input RSELV ¹⁵ - ELV 120V RSTRI ¹⁵ - TRIAC 120V DUO RDMX ¹⁶ - DMX RDDA ¹⁶ - DALI DT6 RDDA8 ¹⁶ - DALI DT8 RDD1 - Dual 0-10V input for CCT/intensity RPSQ0 ¹⁶ - Lutron T-Series 1% tunable white			

www.lumenwerx.com
T (514) 225-4304

© Lumenwerx, ULC. All rights reserved.



Lumenwerx reserves the right to modify product specifications without notification.

AERA2-CYLINDER-SURFACE-SPEC-REV4 July 4, 2023



AERA 2" CYLINDER

SURFACE, SURFACE ASYMMETRIC

ENERGY STAR

LUMENWERX

Project: _____

Type: _____



Order Guide

LUMINAIRE ID ¹	DISTRIBUTION	CYLINDER HEIGHT	CYLINDER FINISH	BAFFLE STYLE	BAFFLE FINISH
	D				
AE2CYS - Aera 2" Cylinder Surface AE2CYSASY - Aera 2" Cylinder Surface Asymmetric ¹ Surface Wall Wash also available. Consult other spec sheet.	D - Direct	4IN ² - 4" 8IN - 8" 12IN - 12" CH#IN ³ - Custom height ² Not available with DMNC/DMRM canopy options when specified with integral drivers. ³ Specify height (#) in 1" increments only. Up to maximum 36". For minimum heights, see page 5.	FTMW - Textured matte white FTMB - Textured matte black FCHP - Champagne CF# - Custom finish, specify RAL#	BVL - Bevel PHL - Pinhole BVLD - Decorative bevel	FTMW - Textured matte white FTMB - Textured matte black FSPC - Specular FSSPC - Semi-specular FCHP - Champagne CF# - Custom finish, specify RAL#

LENS See page 5 for details	LIGHT SOURCE	BEAM	COLOR QUALITY	CRI	COLOR TEMP.	ACCESSORIES	VOLTAGE
	SW		2STP			NA	
At baffle (choose 1 option) Specify NOL for Pinhole SDL - Soft diffused lens, Solite FDL - Frosted diffused lens CL - Clear lens NOL - No lens	SW - Static white	15DEG - 15° Narrow spot 25DEG - 25° Spot 35DEG - 35° Narrow flood 50DEG - 50° Wide flood	2STP - 2 Step MacAdam Ellipse	90CRI - 90 CRI 80CRI - 80 CRI	27K - 2700K 30K - 3000K 35K - 3500K 40K - 4000K	At light element NA - Not applicable	120V - 120V 277V - 277V UNV - 120V-277V

WATTAGE		DIMMING		CANOPY TYPE ⁸	CANOPY FINISH Specify NA for DM	OPTION
7W						ES
SURFACE	SURFACE ASY.	INTEGRAL	REMOTE ⁵	FLR ⁹ - Flat round canopy, 4" octagonal junction box CDR ⁹ - Conduit feed, round canopy DMNC ¹⁰ - Direct mount, new construction DMRM ^{10,11} - Direct mount, remodel ⁸ See page 6 for details. ⁹ 4" long cylinders require a remote driver, or a j-box for integral drivers. See page 6 for details. ¹⁰ 4" long cylinders require a remote driver. ¹¹ Single wiring entry only. No daisy chain connections allowed.	FTMW - Textured matte white FTMB - Textured matte black FCHP - Champagne CF# - Custom finish, specify RAL# NA - Not applicable	ES - ENERGY STAR
7W - 7 W output, up to 560 lm	7W - 7 W output, up to 511 lm	D1 - 1% 0-10V ELV ⁴ - ELV 120V TRI ⁴ - TRIAC 120V ⁴ Available with 120V only.	RDI - 1% 0-10V RELV ⁶ - ELV 120V RTRI ⁶ - TRIAC 120V RLDEI ⁷ - Lutron Hi-lume 1% Eco ⁵ A remote driver box is provided, see page 6 for details. ⁶ Available with 120V only. ⁷ On-site commissioning is required.			



AERA 2" CYLINDER

SURFACE, SURFACE ASYMMETRIC

Title 24 JA8

LUMENWERX

Project: _____

Type: _____



Order Guide

LUMINAIRE ID ¹	DISTRIBUTION	CYLINDER HEIGHT	CYLINDER FINISH	BAFFLE STYLE	BAFFLE FINISH
	D				
AE2CYS - Aera 2" Cylinder Surface AE2CYSASY - Aera 2" Cylinder Surface Asymmetric ¹ Surface Wall Wash also available. Consult other spec sheet.	D - Direct	4IN ² - 4" 8IN - 8" 12IN - 12" CH#IN ³ - Custom height ² Not available with DMNC/DMRM canopy options when specified with integral drivers. ³ Specify height (#) in 1" increments only. Up to maximum 36". For minimum heights, see page 5.	FTMW - Textured matte white FTMB - Textured matte black FCHP - Champagne CF# - Custom finish, specify RAL#	BVL - Bevel PHL - Pinhole BVLD - Decorative bevel	FTMW - Textured matte white FTMB - Textured matte black FSPC - Specular FSSPC - Semi-specular FCHP - Champagne CF# - Custom finish, specify RAL#

LENS * See page 5 for details	LIGHT SOURCE	BEAM	COLOR QUALITY	CRI	COLOR TEMP.	ACCESSORY * See page 5 for details	VOLTAGE
				90CRI			
At baffle Specify NOL for Pinhole SDL - Soft diffused lens, Solite FDL - Frosted diffused lens CL - Clear lens NOL - No lens	SW - Static white SOLA - Dim-to-warm single channel control 35K to 22K	15DEG - 15° Narrow spot 25DEG - 25° Spot 35DEG - 35° Narrow flood 50DEG - 50° Wide flood 80DEG ⁴ - 80° Very wide flood 90DEG ⁴ - 90° Open flood ⁴ Not available with Asymmetric.	2STP - 2 Step MacAdam Ellipse 3STP - 3 Step MacAdam Ellipse 3STP - 3 Step MacAdam Ellipse	90CRI - 90 CRI	27K - 2700K 30K - 3000K 35K - 3500K 40K - 4000K SOLA - Dim-to-warm single channel control 35K to 22K	At light element LSDL - Soft diffused lens, Solite LFDL - Frosted diffused lens NA - None	120V - 120V 277V - 277V

* LSDL or LFDL at light element cannot be combined with SDL, FDL, or CL at baffle. For SOLA, one of the following lenses must be specified: SDL, FDL, LSDL, or LFDL.

WATTAGE		DIMMING		CANOPY TYPE ⁹	CANOPY FINISH Specify NA for DM	OPTION
						JA8
SURFACE	SURFACE ASY.	INTEGRAL	REMOTE ⁶	FLR ¹⁰ - Flat round canopy, 4" octagonal junction box CDR ¹⁰ - Conduit feed, round canopy DMNC ¹¹ - Direct mount, new construction DMRM ^{11,12} - Direct mount, remodel ⁹ See page 6 for details. ¹⁰ 4" long cylinders require a remote driver, or a j-box for integral drivers. See page 6 for details. ¹¹ 4" long cylinders require a remote driver. ¹² Single wiring entry only. No daisy chain connections allowed.	FTMW - Textured matte white FTMB - Textured matte black FCHP - Champagne CF# - Custom finish, specify RAL# NA - Not applicable	JA8 - JA8 compliant
7W - 7 W output, up to 560 lm	7W - 7 W output, up to 511 lm	D1 - 1% 0-10V ELV ⁵ - ELV 120V TRI ⁵ - TRIAC 120V ⁵ Available with 120V only.	RD1 - 1% 0-10V RELV ⁷ - ELV 120V RTRI ⁷ - TRIAC 120V RLDE1 ⁸ - Lutron Hi-lume 1% Eco ⁶ A remote driver box is provided, see page 6 for details. ⁷ Available with 120V only. ⁸ On-site commissioning is required.			
8W - 8 W output, up to 250 lm	8W - 8 W output, up to 200 lm	SD1 - Single 0-10V input SELV ⁵ - ELV 120V STRI ⁵ - TRIAC 120V	RSD1 - Single 0-10V input RSELV ⁷ - ELV 120V RSTRI ⁷ - TRIAC 120V			

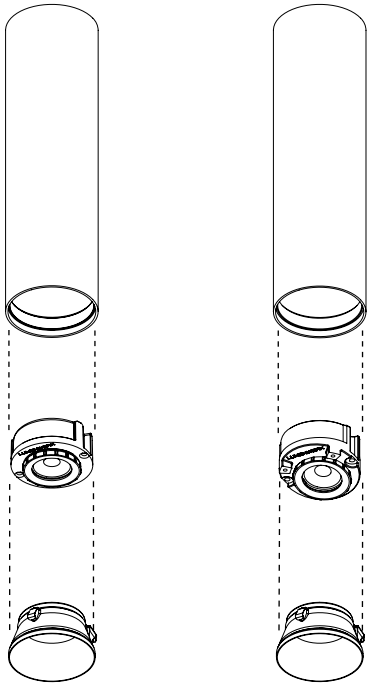


AERA 2" CYLINDER

SURFACE, SURFACE ASYMMETRIC

LUMENWERX

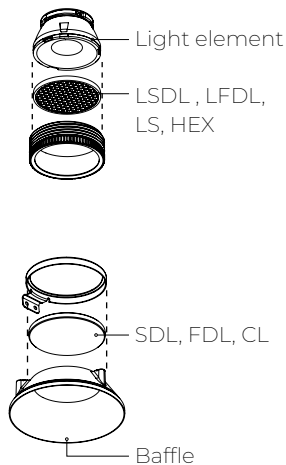
Overview



AE2CYS
Aera 2"
Cylinder
Surface

AE2CYSASY
Aera 2"
Cylinder
Surface
Asymmetric

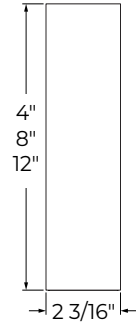
LENS AND ACCESSORIES



Dimensions

CYLINDER

Direct



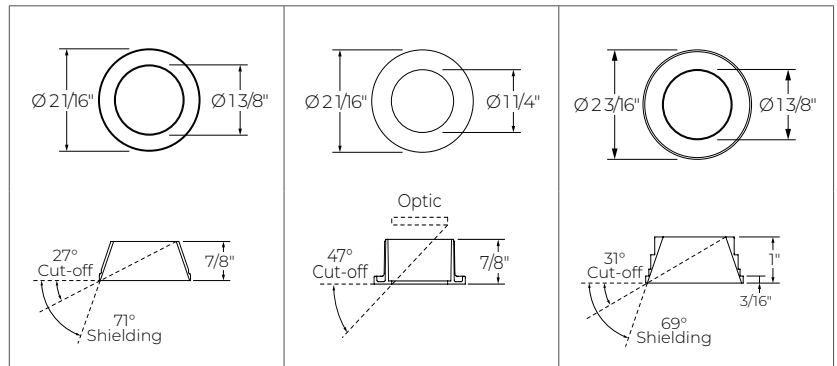
Minimum heights - Cylinder

Size	Integral driver in cylinder	Integral driver in deep J-box	Remote driver
Ø2"	7"	4"	4"

*Consult factory for maximum heights.

BAFFLE

BVL Bevel	PHL Pinhole	BVLC Decorative bevel
<p>■ Baffle finish</p> <p>■ Textured matte black</p>		



AERA 2" CYLINDER

SURFACE, SURFACE ASYMMETRIC

LUMENWERX

Mounting

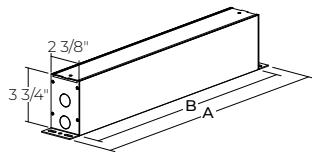
CANOPY

INTEGRAL DRIVER				REMOTE DRIVER				
Order code	FLR Flat round canopy, 4" octagonal junction box	CDR Conduit feed, round canopy	DMNC Direct mount, new construction	DMRM* Direct mount, remodel	FLR Flat round canopy, 4" octagonal junction box	CDR Conduit feed, round canopy	DMNC Direct mount, new construction	DMRM* Direct mount, remodel
Canopy type								
Canopy size	Ø 4 1/2" Height 1/4"	Ø 5 1/2" Height 1 15/16"	NA		Ø 4 1/2" Height 1/4"	Ø 5 1/2" Height 1 15/16"	NA	
Min. height	4" (Driver in junction box) 8" (Driver in cylinder)			4"				

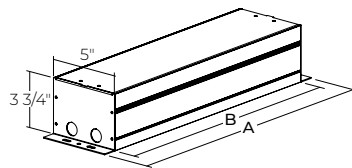
* Single wiring entry only. No daisy chain connections allowed.

REMOTE DRIVER BOX

RDB8 / RDB18 / RDB24



RDB24W



	RDB8	RDB18	RDB24	RDB24W
A	10"	20"	26"	26"
B	8"	18"	24"	24"
DRIVER	RD1 - 1% 0-10V RELV - ELV 120V RTRI - TRIAC 120V SOLA RSD1 - Single 0-10V input RSELV - ELV 120V RSTRI - TRIAC 120V	RLDE1 - Lutron Hi-lume 1% Eco RDA - DALI RELD1 - eldoLED 1% ECOdrive 0-10V RELD0 - eldoLED 0.1% SOLOdrive 0-10V	Emergency battery (+EB) with the following driver options. RD1+EB - 1% 0-10V RELV+EB - ELV 120V RTRI+EB - TRIAC 120V DUO RDMX - DMX RDDA - DALI DT6 RDDA8 - DALI DT8 RDD1 - Dual 0-10V input for CCT/intensity RPSQO - Lutron T-Series 1% tunable white	Emergency battery (+EB) with the following driver options. RLDE1+EB - Lutron Hi-lume 1% Eco RDA+EB - DALI RELD1+EB - eldoLED 1% ECOdrive 0-10V RELD0+EB - eldoLED 0.1% SOLOdrive 0-10V

AERA 2" CYLINDER

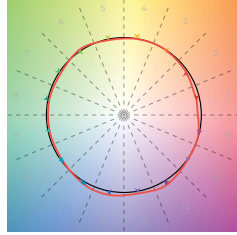
SURFACE, SURFACE ASYMMETRIC

LUMENWERX

Color Quality

COLOR QUALITY - 3500K

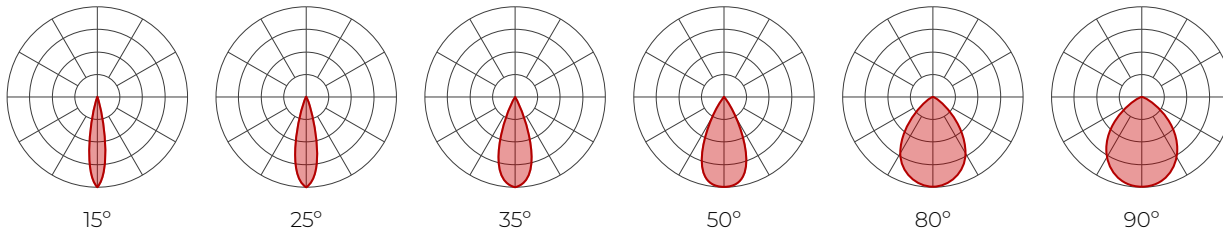
TM-30 Rr	91
TM-30 Ra	100
CRI	90
R9	> 50



Photometrics

Please follow the multiplier tables to ensure correct lumen value. Beams, CCT, baffle styles, baffle colors, lensing and accessories will change the lumen value.

SURFACE



Delivered Lumens for Bevel Baffles - At 35K, with SDL lens option

CRI	90 CRI						95 CRI						80 CRI					
	15	25	35	50	80	90	15	25	35	50	80	90	15	25	35	50	80	90
7 W	479	523	516	495	446	446	369	403	397	381	343	343	513	560	552	530	477	477
10 W	629	688	679	651	586	586	484	530	523	501	451	451	673	736	727	697	627	627

Efficacy Based on Delivered Lumens

CRI	90 CRI						95 CRI						80 CRI					
	15	25	35	50	80	90	15	25	35	50	80	90	15	25	35	50	80	90
7 W	68	75	74	71	64	64	53	58	57	54	49	49	73	80	79	76	68	68
10 W	63	69	68	65	59	59	48	53	52	50	45	45	67	74	73	70	63	63

MULTIPLIERS

CCT		BAFFLE STYLE AND COLOR		LENS * (At baffle)		ACCESSORIES * (At light element)		
2700K	0.9	Bevel	White	1	SDL - Soft diffused lens, Solite	1	LSDL - Soft diffused lens, Solite	1
3000K	0.95		Black	1	FDL - Frosted lens	0.8	LFDL - Frosted lens	0.8
3500K	1	Pinhole	White	0.92	CL - Clear lens	1.1	LS - Linear spread	0.84
4000K	1.05		Black	0.92	NOL - No lens	1.1	HEX - Hex louver	0.86
		Decorative bevel	White	1	* When more than one lens or accessory is specified, multiply together the value of each lens and/or accessory. e.g. NOL + LSDL + HEX = 1.1 x 1 x 0.86 = 0.946			
			Black	1				

For SOLA and DUO, please consult factory.

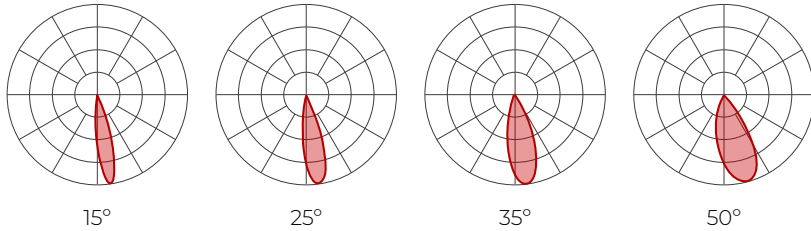
AERA 2" CYLINDER

LUMENWERX

SURFACE, SURFACE ASYMMETRIC

Please follow the multiplier tables to ensure correct lumen value. Beams, CCT, baffle styles, baffle colors, lensing and accessories will change the lumen value.

SURFACE ASYMMETRIC



Delivered Lumens for Bevel Baffles - At 35K, with SDL lens option

CRI	90 CRI				95 CRI				80 CRI			
	15	25	35	50	15	25	35	50	15	25	35	50
7 W	445	461	478	410	343	355	368	316	476	493	511	439
10 W	599	621	644	552	461	478	496	425	641	664	689	591

Efficacy Based on Delivered Lumens

CRI	90 CRI				95 CRI				80 CRI			
	15	25	35	50	15	25	35	50	15	25	35	50
7 W	64	66	68	59	49	51	53	45	68	70	73	63
10 W	60	62	64	55	46	48	50	43	64	66	69	59

MULTIPLIERS

CCT		BAFFLE STYLE AND COLOR		LENS * (At baffle)		ACCESSORIES * (At light element)		
2700K	0.9	Bevel	White	1	SDL - Soft diffused lens, Solite	1	LSDL - Soft diffused lens, Solite	1
3000K	0.95		Black	1	FDL - Frosted lens	0.8	LFDL - Frosted lens	0.8
3500K	1	Pinhole	White	0.92	CL - Clear lens	1.1	LS - Linear spread	0.84
4000K	1.05		Black	0.92	NOL - No lens	1.1	HEX - Hex louver	0.86
For SOLA and DUO, please consult factory.		Decorative bevel	White	1	* When more than one lens or accessory is specified, multiply together the value of each lens and/or accessory. e.g. NOL + LSDL + HEX = 1.1 x 1 x 0.86 = 0.946			
			Black	1				

AERA 2" CYLINDER

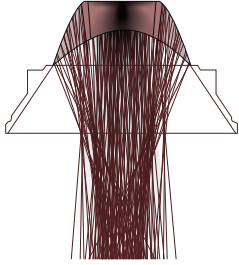
SURFACE, SURFACE ASYMMETRIC

LUMENWERX

Technical Specifications

OPTIC

XPoint™ Refraction Technology optics provide precise optical control in a remarkably compact form. Micro optical paths from the chip on board converge and then disperse in precise beam angles, resulting in a crisp and exacting light quality.



LIGHT SOURCE

Compact COB (Chip-On-Board) LED module, available in 2700K, 3000K, 3500K and 4000K with a choice of 80 CRI, 90 CRI, or 95 CRI, with elevated R9 value for 90 CRI and above. Color consistency is maintained to within 2 SDCM. All LEDs have been tested in accordance with IESNA LM-80-08 and the results have shown L80 lumen maintenance greater than 60,000 hours. Absolute product photometry is measured and presented in accordance with IESNA LM-79, unless otherwise indicated. Optional full spectrum LEDs can be incorporated in the fixture to increase Cyanosis Observation Index (COI) and assist in regulating circadian rhythms.

CHROMAWERX

Chromawerx SOLA

Chromawerx SOLA is single-channel control that dims output while warming the color temperature in a pre-determined relationship. A simple analog control adjusts a specially populated LED array to emulate the effect of dimming a filament source.

Chromawerx DUO

Chromawerx DUO offers a two-channel control system which uses analog or digital protocols for synchronous control of both cool (6500K) to warm (2700K) LED arrays - maintaining a CRI above 90. The range of color DUO offers is useful for entraining circadian rhythms, stimulating alertness, and compensating for jet lag among other applications. The Chromawerx drivers are programmed to limit maximum light output and power usage across all color temperatures. When paired with DALI drivers (DDA/DDA8), color tuning follows a linear dimming curve.

ELECTRICAL

Unless otherwise specified, dimming down to 1%. At maximum driver load: efficiency>84%, PF>0.9, THD<20%.

Integral: 0-10V, ELV, TRIAC.

Remote: 0-10V, ELV, TRIAC, Lutron Hi-Lume 1% EcoSystem, DALI, eldoLED 0.1% SOLOdrive 0-10V, eldoLED 1% ECOdrive 0-10V, DMX, Lutron T-series (tunable white).

Emergency Battery Option: Remotely-installed, long-life, high-temperature, maintenance-free, Bodine Lithium-Ion battery pack with self-test functionality, test switch and charge indicator. IOTA and Fulham options available upon request. Minimum of 90 minutes operation, and recharge time of 24 hours. For fixtures less than 10W, the battery provides 6W of emergency light output. For fixtures 10W and over, the battery provides 10W.

PoE

Depending on the PoE manufacturer selected, Lumenwerx will install the node in factory as either integral to the luminaire, or as a remote module. Factory programming of the PoE node may or may not enable the following functionalities: lumen package, Duo (tunable white), emergency battery backup, and sensor integration. These must be addressed and evaluated on a case-by-case basis.

CONSTRUCTION

Housing: Die-cast and extruded aluminum.

Canopy: Flat, conduit feed, direct, and deep.

Finish: Textured matte white, black, and champagne. Custom colors also available (provide RAL #). Specular and semi-specular finishes are also available for Baffle.

Heat sink: Die-cast aluminum.

WEIGHT

4" - 0.6 lbs - 0.3 kg

8" - 1.2 lbs - 0.6 kg

12" - 1.5 lbs - 0.7 kg

BAFFLE

Die-cast aluminum

Baffle style: Bevel, pinhole, and decorative bevel

LENS AND ACCESSORIES



Soft diffused lens, Solite



Frosted diffused lens



Clear lens



Linear Spread



Hex Louver

AERA 2" CYLINDER

SURFACE, SURFACE ASYMMETRIC

LUMENWERX

ENVIRONMENT

Ambient temperature at fixture location shall be within 0°C/32°F - 25°C/77°F, indoor dry or damp as well as outdoor damp use (canopies or marquees).

CERTIFICATIONS

ETL - Rated for Indoor Dry/Damp locations. Conforms to UL Standard 1598 and certified to CAN/CSA Standard C22.2 No. 250.0.

ENERGY STAR - ENERGY STAR certified

Title 24 JAB - California Building Standards Code

WARRANTY

Lumenwerx provides a five-year limited warranty of electrical and mechanical performance of the luminaires, including the LED boards, drivers, and auxiliary electronics. Lumenwerx will repair or replace defective luminaires or components at our discretion, provided they have been installed and operated in accordance with our specifications. Other limitations apply, please refer to the full warranty on our website.