

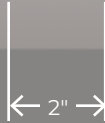
AERA 2" DOWNLIGHT

ROUND RECESSED



Declare.

Bevel Trimless
Drywall Mudplate



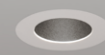
Bevel
Flanged Trim



Pinhole
Flanged Trim



Pinhole Trimless
Drywall Mudplate



Aera recessed downlights are true to size, encased in minimalist housing, and suitable additions to any interior space where outstanding optical performance, maximal eye comfort, and/or an industry-leading wall wash are required.

Ceiling Types



Drywall



Millwork



Acoustic Tile

Installation Types

New Construction (Type Non-IC, Type-IC, CCEA)
Remodel (Type Non-IC)

Plenum Clearance

As low as 3 3/8"



Beam Angles



Low UGR < 10 in 15°, 25°, 35°, and 50° beams

Performance

LUMEN OUTPUT 1	WATTS	EFFICACY
705 lm	7 W	101 lm/W
949 lm	10 W	95 lm/W

¹ Lumen packages are assuming 3500K, 80 CRI, 35° beam, with SDL lens option.

Light Source

Static White
Full Spectrum
SOLA - Dim-to-Warm
DUO - Tunable White



COB

2 Step Color Binning
Up to 95 CRI

Drivers

1%, 0.1% Dimming Available
0-10V, TRIAC, ELV, Lutron EcoSystem, DALI, DMX
Emergency Battery (optional)

Aera Family (Refer to other spec sheets) Downlight



2" / 3" / 4"
Round / Square
Recessed Adjustable



2" / 3" / 4"
Round / Square
Recessed



2" / 3" / 4"
Round / Square
Recessed Wall Wash

Multi-aperture



2" / 3" / 4"
Round / Square
Recessed Adjustable



2" / 3" / 4"
Round / Square
Recessed



2" / 3" / 4"
Round / Square
Recessed Wall Wash

Cylinder



2" / 3" / 4" / 5"
4" Seal
Pendant

Pendant Asymmetric
Pendant Wall Wash



2" / 3" / 4" / 5"
4" Seal
Wall

Wall Asymmetric



2" / 3" / 4" / 5"
4" Seal
Surface

Surface Asymmetric
Surface Wall Wash

www.lumenwerx.com
T (514) 225-4304

© Lumenwerx, ULC. All rights reserved.



Lumenwerx reserves the right to modify product specifications without notification.

AERA2-DOWNLIGHT-ROUND-RECESSED-SPEC-REV6 April 22, 2024



AERA 2" DOWNLIGHT

ROUND RECESSED



Project: _____

 Type: _____

Order Guide

1 - Housing (Example: AE2RR-TRM-SW-OF-ASB-120V-7W-D1-NA)



For an ENERGY STAR® certified fixture, see page 3.
 For a Title 24 JA8 compliant fixture, see page 4.

LUMINAIRE ID ¹	TRIM STYLE	LIGHT SOURCE	INSTALLATION TYPE	MOUNTING OPTION ⁴
AE2RR				
AE2RR - Aera 2" Round Recessed ¹ Recessed Adjustable and Recessed Wall Wash also available. Consult other spec sheets.	TRM - Flanged trim TLMP - Trimless drywall mudplate TLMW ² - Trimless millwork ² For remodel (RM) installation type, TLMW adapter must be installed from above the ceiling or before ceiling is installed.	SW - Static white FS - Full spectrum SOLA - Dim-to-warm single channel control DUO - Tunable white 2-channel control	OF - Open Frame Type Non-IC IC ³ - Type-IC RM - Remodel Type Non-IC CP ³ - Chicago Plenum Type-IC (CCEA) AT ³ - Airtight Type-IC ³ Not available with 8 W output and higher.	ASB ⁵ - Adjustable standard bar hangers FMB ⁵ - Flush mount bars ACB ⁵ - Adjustable commercial bar hangers AHC ⁵ - Adjustable hat channel bars NA - None ⁴ See page 6 for more details. ⁵ Not available with RM installation type.

VOLTAGE	WATTAGE ⁷	DIMMING ⁹		OPTION ¹⁵
				NA
120V - 120V 277V - 277V UNV - 120V-277V 347V ⁶ - 347V ⁶ Available with RD1 driver only. Please consult factory.	7W - 7 W output, up to 714 lm 10W ⁸ - 10 W output, up to 961 lm ⁷ Lumen outputs are reduced with full spectrum, consult factory. ⁸ Not available with IC/CP/AT.	INTEGRAL DI - 1% 0-10V ELV ¹⁰ - ELV 120V TRI ¹⁰ - TRIAC 120V ⁹ PoE (Power-over-Ethernet) compatible. Consult factory for details. ¹⁰ Available with 120V only.	REMOTE ¹¹ RD1 - 1% 0-10V RELV ¹² - ELV 120V RTRI ¹² - TRIAC 120V RLDE1 ¹³ - Lutron Hi-lume 1% Eco ¹¹ A remote driver box is provided, see page 5 for details. ¹² Available with 120V only. ¹³ On-site commissioning is required. ¹⁴ For emergency battery, code will be like the following example: RD1+EB	NA - None ¹⁵ To specify an ENERGY STAR certified fixture, see page 3. To specify a JA8 compliant fixture, see page 4.
	SOLA ⁸ 10W - 10 W output, up to 525 lm DUO ⁸ 8W - 8 W output, up to 500 lm	SOLA SDI - Single 0-10V input SELV ¹⁰ - ELV 120V STRI ¹⁰ - TRIAC 120V	SOLA RSDI - Single 0-10V input RSELV ¹² - ELV 120V RSTRI ¹² - TRIAC 120V	DUO RDMX ¹⁵ - DMX RDDA ¹⁵ - DALI DT6 RDDA8 ¹⁵ - DALI DT8 RDD1 - Dual 0-10V input for CCT/intensity RLD2 ¹⁵ - Lutron DALI-2 digital

2 - Light & Baffle (Example: AE2RRB-SW-7W-15DEG-2STP-90CRI-27K-LSDL+LS-TRM-CL-FTMW-FTMW-NA)

LUMINAIRE ID	LIGHT SOURCE Specify same as Housing	WATTAGE ¹⁶ Specify same as Housing	BEAM	COLOR QUALITY	CRI	COLOR TEMP.
AE2RRB - Aera 2" Round Recessed Bevel AE2RRP - Aera 2" Round Recessed Pinhole	SW - Static white FS - Full spectrum	7W - 7 W output, up to 714 lm 10W ¹⁷ - 10 W output, up to 961 lm ¹⁶ Lumen outputs are reduced with full spectrum, consult factory. ¹⁷ Not available with IC/CP/AT.	15DEG - 15° Narrow spot 25DEG - 25° Spot 35DEG - 35° Narrow flood 50DEG - 50° Wide flood 80DEG - 80° Very wide flood 90DEG - 90° Open flood	2STP ¹⁸ - 2 Step MacAdam Ellipse 3STP - 3 Step MacAdam Ellipse ¹⁸ Not available with full spectrum.	90CRI ¹⁹ - 90 CRI 95CRI - 95 CRI 80CRI ¹⁹ - 80 CRI ¹⁹ Not available with full spectrum.	27K - 2700K 30K - 3000K 35K - 3500K 40K - 4000K SOLA 30K18K - 3000K to 1800K 27K18K - 2700K to 1800K DUO 65K27K - 6500K to 2700K 50K27K - 5000K to 2700K
	SOLA - Dim-to-warm single channel control DUO - Tunable white 2-channel control	SOLA ¹⁷ 10W - 10 W output, up to 525 lm DUO ¹⁷ 8W - 8 W output, up to 500 lm	25DEG - 25° Spot 35DEG - 35° Narrow flood 60DEG - 60° Wide flood 80DEG - 80° Very wide flood 90DEG - 90° Open flood	3STP - 3 Step MacAdam Ellipse	90CRI - 90 CRI	

ACCESSORIES * See page 7 for details	TRIM STYLE Specify same as Housing	LENS * See page 7 for details	BAFFLE FINISH Specify NA for Pinhole	TRIM FLANGE FINISH ²⁴ Specify NA for Bevel Trimless	OPTION ²⁵
At light element ^{20,21} (choose up to 2 options for SW/FS and 1 option for SOLA/DUO) LSDL - Soft diffused lens, Solite LFDL - Frosted diffused lens LS - Linear spread HEX ²² - Hex louver NA - None ²⁰ Separate codes with a "*" if more than one is specified, e.g. LSDL+LS. ²¹ LSDL and LFDL cannot be combined. LS and HEX cannot be combined. ²² Not available with 80°/90° beam options.	TRM - Flanged trim TLMP - Trimless drywall mudplate TLMW ²³ - Trimless millwork ²³ For remodel (RM) installation type, TLMW adapter must be installed from above the ceiling or before ceiling is installed.	At baffle (choose 1 option) Specify NOL for Pinhole SDL - Soft diffused lens, Solite FDL - Frosted diffused lens CL - Clear lens NOL - No lens	FTMW - Textured matte white FTMB - Textured matte black FSPC - Specular FSSPC - Semi-specular FCHP - Champagne CF# - Custom finish, specify RAL# NA - Not applicable	FTMW - Textured matte white FTMB - Textured matte black FSPC - Specular FSSPC - Semi-specular FCHP - Champagne CF# - Custom finish, specify RAL# NA - Not applicable ²⁴ A trim flange finish option must be specified for pinhole. See page 7 for details.	WET ²⁶ - Wet location NA - None ²⁵ To specify an ENERGY STAR certified fixture, see page 3. To specify a JA8 compliant fixture, see page 4. ²⁶ Must be specified with the bevel (AE2RRB), flanged trim (TRM), and either SDL, FDL, or CL lens options.

* LSDL or LFDL at light element cannot be combined with SDL or FDL at baffle.



AERA 2" DOWNLIGHT

ROUND RECESSED

ENERGY STAR

Order Guide



Project: _____

Type: _____



1 - Housing (Example: AE2RR-TRM-SW-OF-ASB-120V-7W-D1-ES)

LUMINAIRE ID ¹	TRIM STYLE	LIGHT SOURCE	INSTALLATION TYPE	MOUNTING OPTION ²
AE2RR		SW		
AE2RR - Aera 2" Round Recessed ¹ Recessed Adjustable and Recessed Wall Wash also available. Consult other spec sheets.	TRM - Flanged trim TLMP - Trimless drywall mudplate TLMW - Trimless millwork	SW - Static white	OF - Open Frame Type Non-IC IC - Type-IC RM - Remodel Type Non-IC CP - Chicago Plenum Type-IC (CCEA) AT - Airtight Type-IC	ASB - Adjustable standard bar hangers FMB - Flush mount bars ACB - Adjustable commercial bar hangers AHC - Adjustable hat channel bars NA - None ² See page 6 for more details.

VOLTAGE	WATTAGE	DIMMING		OPTION
	7W			ES
120V - 120V 277V - 277V UNV - 120V-277V	7W - 7 W output, up to 714 lm	INTEGRAL D1 - 1% 0-10V ELV ³ - ELV 120V TRI ³ - TRIAC 120V ³ Available with 120V only.	REMOTE ⁴ RD1 - 1% 0-10V RELV ⁵ - ELV 120V RTRI ⁵ - TRIAC 120V RLDEI ⁶ - Lutron Hi-lume 1% Eco ⁴ A remote driver box is provided, see page 5 for details. ⁵ Available with 120V only. ⁶ On-site commissioning is required.	ES - ENERGY STAR

2 - Light & Baffle (Example: AE2RRB-SW-7W-15DEG-2STP-90CRI-27K-NA-TRM-SDL-FTMW-FTMW-ES)

LUMINAIRE ID	LIGHT SOURCE Specify same as Housing	WATTAGE Specify same as Housing	BEAM	COLOR QUALITY	CRI	COLOR TEMP.
	SW	7W		2STP		
AE2RRB - Aera 2" Round Recessed Bevel AE2RRP - Aera 2" Round Recessed Pinhole	SW - Static white	7W - 7 W output, up to 714 lm	15DEG - 15° Narrow spot 25DEG - 25° Spot 35DEG - 35° Narrow flood 50DEG - 50° Wide flood	2STP - 2 Step MacAdam Ellipse	90CRI - 90 CRI 80CRI - 80 CRI	27K - 2700K 30K - 3000K 35K - 3500K 40K - 4000K

ACCESSORY	TRIM STYLE Specify same as Housing	LENS See page 7 for details	BAFFLE FINISH Specify NA for Pinhole	TRIM FLANGE FINISH ⁷ Specify NA for Bevel Trimless	OPTIONS
NA					ES
At light element NA - Not applicable	TRM - Flanged trim TLMP - Trimless drywall mudplate TLMW - Trimless millwork	At baffle Specify NOL for Pinhole SDL - Soft diffused lens, Solite FDL - Frosted diffused lens CL - Clear lens NOL - No lens	FTMW - Textured matte white FTMB - Textured matte black FSPC - Specular FSSPC - Semi-specular FCHP - Champagne CF# - Custom finish, specify RAL# NA - Not applicable	FTMW - Textured matte white FTMB - Textured matte black FSPC - Specular FSSPC - Semi-specular FCHP - Champagne CF# - Custom finish, specify RAL# NA - Not applicable ⁷ A trim flange finish option must be specified for pinhole. See page 7 for details.	ES - ENERGY STAR WET ^{8,9} - Wet location ⁸ Must be specified with the bevel (AE2RRB), flanged trim (TRM), and either SDL, FDL, or CL lens options. ⁹ To specify the WET option, the code will be ES+WET.



AERA 2" DOWNLIGHT

ROUND RECESSED

Title 24 JA8

Order Guide



Project: _____

 Type: _____



1 - Housing (Example: AE2RR-TRM-SW-AT-ASB-120V-7W-D1-JA8)

LUMINAIRE ID ¹	TRIM STYLE	LIGHT SOURCE	INSTALLATION TYPE	MOUNTING OPTION ²
AE2RR			AT	
AE2RR - Aera 2" Round Recessed ¹ Recessed Adjustable and Recessed Wall Wash also available. Consult other spec sheets.	TRM - Flanged trim TLMP - Trimless drywall mudplate TLMW - Trimless millwork	SW - Static white SOLA - Dim-to-warm single channel control	AT - Airtight Type-IC	ASB - Adjustable standard bar hangers FMB - Flush mount bars ACB - Adjustable commercial bar hangers AHC - Adjustable hat channel bars NA - None ² See page 6 for more details.

VOLTAGE	WATTAGE	DIMMING		OPTION
				JA8
120V - 120V 277V - 277V	7W - 7 W output, up to 714 lm	INTEGRAL D1 - 1% 0-10V ELV ³ - ELV 120V TRI ³ - TRIAC 120V ³ Available with 120V only.	REMOTE ⁴ RDI - 1% 0-10V RELV ⁵ - ELV 120V RTRI ⁵ - TRIAC 120V RLDEI ⁶ - Lutron Hi-lume 1% Eco ⁴ A remote driver box is provided, see page 5 for details. ⁵ Available with 120V only. ⁶ On-site commissioning is required.	JA8 - JA8 compliant
	8W - 8 W output, up to 275 lm	SDI - Single 0-10V input SELV ³ - ELV 120V STRI ³ - TRIAC 120V	RSDI - Single 0-10V input RSELV ⁵ - ELV 120V RSTRI ⁵ - TRIAC 120V	

2 - Light & Baffle (Example: AE2RRB-SW-7W-15DEG-2STP-90CRI-27K-NA-TRM-SDL-FTMW-FTMW-JA8+WET)

LUMINAIRE ID	LIGHT SOURCE Specify same as Housing	WATTAGE Specify same as Housing	BEAM	COLOR QUALITY	CRI	COLOR TEMP.
					90CRI	
AE2RRB - Aera 2" Round Recessed Bevel AE2RRP - Aera 2" Round Recessed Pinhole	SW - Static white	7W - 7 W output, up to 714 lm	15DEG - 15° Narrow spot 25DEG - 25° Spot 35DEG - 35° Narrow flood 50DEG - 50° Wide flood 80DEG - 80° Very wide flood 90DEG - 90° Open flood	2STP - 2 Step MacAdam Ellipse 3STP - 3 Step MacAdam Ellipse	90CRI - 90 CRI	27K - 2700K 30K - 3000K 35K - 3500K 40K - 4000K
	SOLA - Dim-to-warm single channel control	8W - 8 W output, up to 275 lm	50DEG - 50° Wide flood	3STP - 3 Step MacAdam Ellipse		SOLA ⁷ - Dim-to-warm single channel control ⁷ 3500K to 2200K

ACCESSORY * See page 7 for details	TRIM STYLE Specify same as Housing	LENS * See page 7 for details	BAFFLE FINISH Specify NA for Pinhole	TRIM FLANGE FINISH ⁸ Specify NA for Bevel Trimless	OPTIONS
					JA8
At light element LSDL - Soft diffused lens, Solite LFDL - Frosted diffused lens NA - None	TRM - Flanged trim TLMP - Trimless drywall mudplate TLMW - Trimless millwork	At baffle Specify NOL for Pinhole SDL - Soft diffused lens, Solite FDL - Frosted diffused lens CL - Clear lens NOL - No lens	FTMW - Textured matte white FTMB - Textured matte black FSPC - Specular FSSPC - Semi-specular FCHP - Champagne CF# - Custom finish, specify RAL# NA - Not applicable	FTMW - Textured matte white FTMB - Textured matte black FSPC - Specular FSSPC - Semi-specular FCHP - Champagne CF# - Custom finish, specify RAL# NA - Not applicable ⁸ A trim flange finish option must be specified for pinhole. See page 7 for details.	JA8 - JA8 compliant WET ^{9,10} - Wet location ⁹ Must be specified with the bevel (AE2RRB), flanged trim (TRM), and either SDL, FDL, or CL lens options. ¹⁰ To specify the WET option, the code will be JA8+WET.

* LSDL or LFDL at light element cannot be combined with SDL or FDL at baffle. For SOLA, one of the following lenses must be specified: SDL, FDL, LSDL, or LFDL.



AERA 2" DOWNLIGHT

ROUND RECESSED



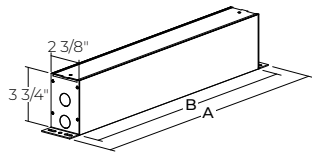
Housing

INSTALLATION TYPES		
OF - Open Frame Type Non-IC	IC - Type-IC	CP - Chicago Plenum Type-IC (CEEA) AT - Airtight Type-IC
RM - Remodel Type Non-IC		
Integral	Remote	

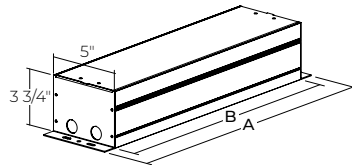
- For height dimension C, see the PLENUM CLEARANCE & CUT-OUT DIMENSIONS table below.
 - For OF, IC, CP, and AT installation types with remote dimming, a remote driver box is provided.

REMOTE DRIVER BOX

RDB8 / RDB18 / RDB24

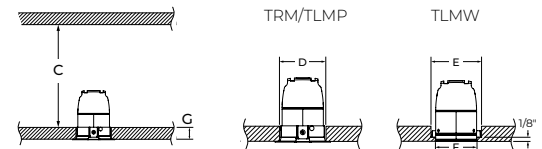


RDB24W



	RDB8	RDB18	RDB24	RDB24W
A	10"	20"	26"	26"
B	8"	18"	24"	24"
DRIVER	RD1 - 1% 0-10V RELV - ELV 120V RTRI - TRIAC 120V SOLA RSD1 - Single 0-10V input RSELV - ELV 120V RSTRI - TRIAC 120V	RLDE1 - Lutron Hi-lume 1% Eco RDA - DALI RELD1 - eldoLED 1% ECOdrive 0-10V RELD0 - eldoLED 0.1% SOLOdrive 0-10V	Emergency battery (+EB) with the following driver options. RD1+EB - 1% 0-10V RELV+EB - ELV 120V RTRI+EB - TRIAC 120V DUO RDMX - DMX RDDA - DALI DT6 RDDA8 - DALI DT8 RDD1 - Dual 0-10V input for CCT/intensity RLD2 - Lutron DALI-2 digital	Emergency battery (+EB) with the following driver options. RLDE1+EB - Lutron Hi-lume 1% Eco RDA+EB - DALI RELD1+EB - eldoLED 1% ECOdrive 0-10V RELD0+EB - eldoLED 0.1% SOLOdrive 0-10V

PLENUM CLEARANCE & CUT-OUT DIMENSIONS



PLENUM CLEARANCE HEIGHT					
C	REMOTE & INTEGRAL			INTEGRAL	REMOTE
	OF	IC	CP/AT	RM	RM
C	4"	4"	4"	4"	3 3/8"
CUT-OUT DIMENSIONS					
D	TRM/TLMP	Ø 2 1/2"			
E	TLMW	Ø 2 1/2"			
F		Ø 2 1/16" with 1/8" lip			
MAXIMUM CEILING THICKNESS					
G	TRM/TLMP	1"			
	TLMW	5/8"			

AERA 2" DOWNLIGHT

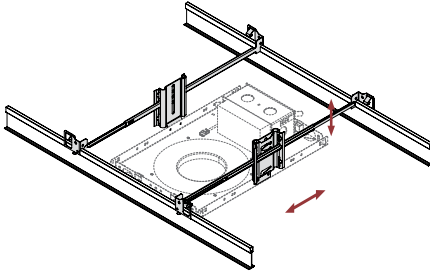
ROUND RECESSED



Housing

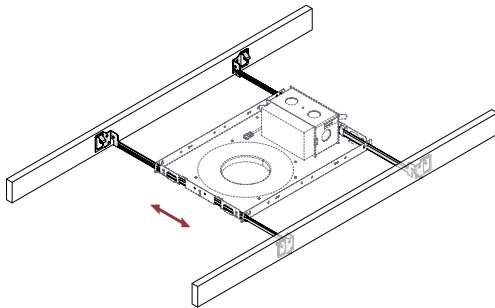
MOUNTING OPTIONS

ASB - Adjustable Standard Bar Hangers



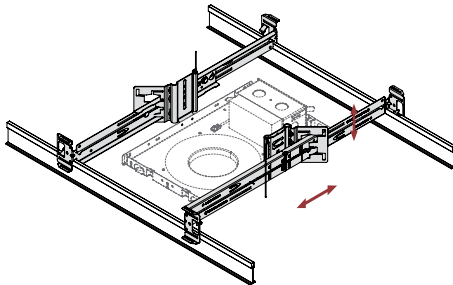
Adjustable Standard Bar hangers can be used in both commercial and residential applications and are adjustable to various heights in both Grid Ceiling and Drywall mounting. ASB hangers are less rigid and versatile than ACB hangers.

FMB - Flush Mount Bars



Flush Mount Bars are best used in residential applications, fitting snug to the surface and suitable for Wood, Metal, and Drywall mounting. The flush mounted bars are static and can't be adjusted.

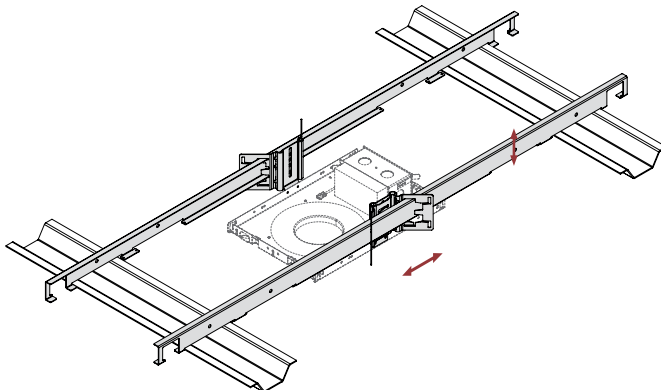
ACB - Adjustable Commercial Bar Hangers



Adjustable Commercial Bar hangers can be used in both commercial and residential applications and are by far the most versatile mounting bar we offer with its adjustability to various heights. ACB hangers are suitable for Grid Ceiling, Drywall, Metal, Wood and Frame mounting.

- Extremely rigid
- Fits into C-Channel notches in a Butterfly Bracket

AHC - Adjustable Hat Channel Bars



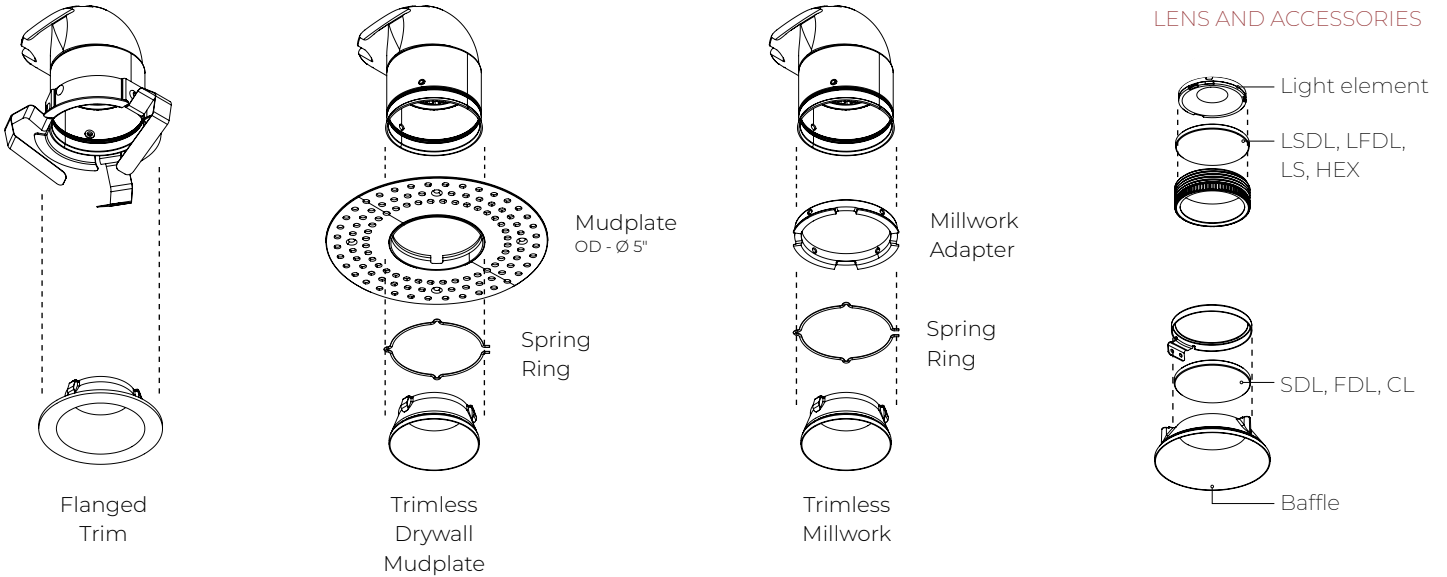
Adjustable Hat Channel bars can be used in both commercial and residential applications and come with a butterfly clip to adjust to various heights. AHC bars can be hung downward by 90 degrees in vertical position, and once wired, can be shifted onto the horizontal mounting plane. AHC bars are suitable for both Drywall and wood ceiling applications.

AERA 2" DOWNLIGHT

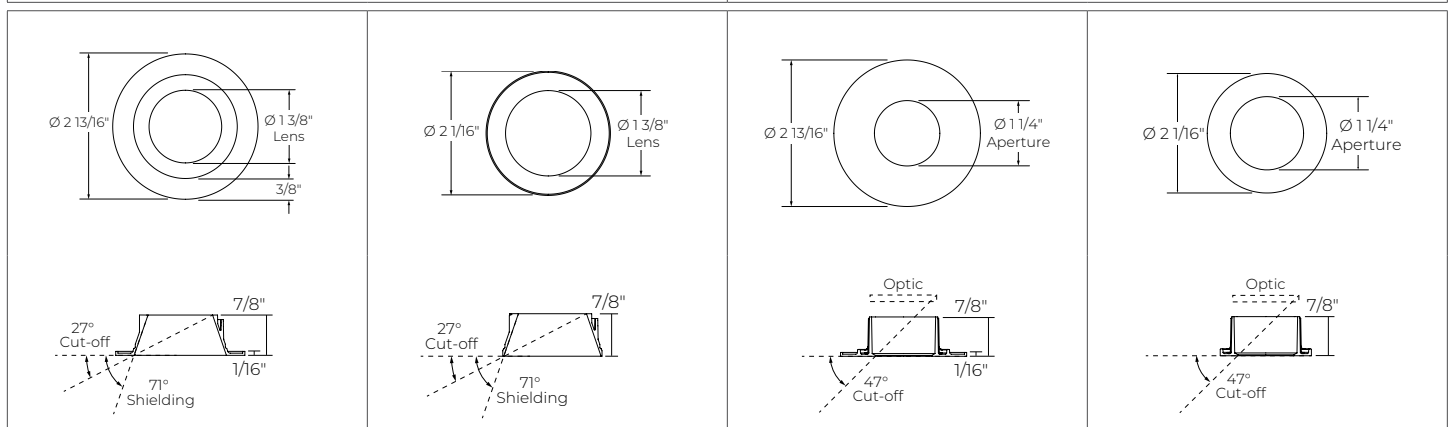
ROUND RECESSED



Light & Baffle



Bevel		Pinhole	
TRM Flanged Trim	TLMP/TLMW Trimless Drywall Mudplate /Trimless Millwork	TRM Flanged Trim	TLMP/TLMW Trimless Drywall Mudplate /Trimless Millwork



AERA 2" DOWNLIGHT

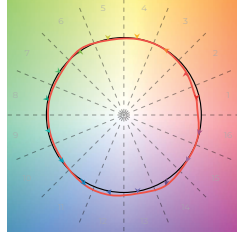
ROUND RECESSED



Color Quality

COLOR QUALITY - 3500K

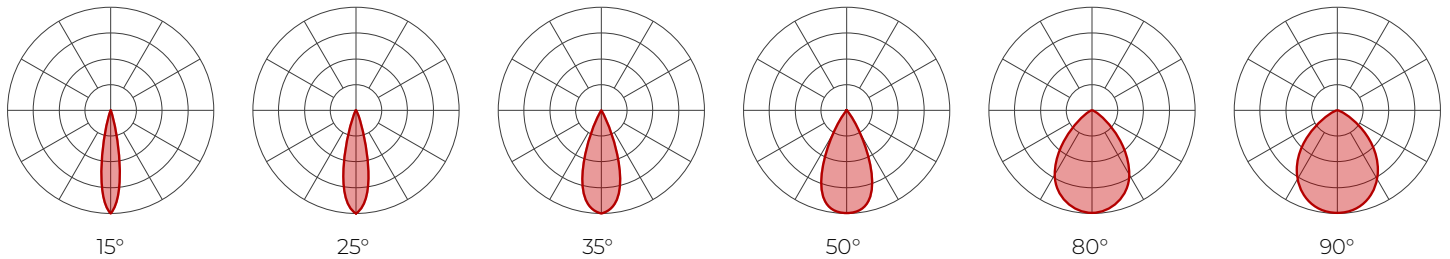
TM-30 Rr	91
TM-30 Ra	100
CRI	90
R9	> 50



Photometrics

STATIC WHITE

Values calculated based on 3500K, bevel baffle, and SDL lens option.



Delivered lumens

CRI	90 CRI						95 CRI						80 CRI					
	15°	25°	35°	50°	80°	90°	15°	25°	35°	50°	80°	90°	15°	25°	35°	50°	80°	90°
7 W	611	667	659	632	569	569	470	514	507	487	438	438	654	714	705	676	609	609
10 W	822	898	887	850	765	765	633	691	683	655	589	589	880	961	949	910	819	819

Efficacy

CRI	90 CRI						95 CRI						80 CRI					
	15°	25°	35°	50°	80°	90°	15°	25°	35°	50°	80°	90°	15°	25°	35°	50°	80°	90°
7 W	87	95	94	90	81	81	67	73	72	70	63	63	93	102	101	97	87	87
10 W	82	90	89	85	77	77	63	69	68	65	59	59	88	96	95	91	82	82

MULTIPLIERS

Please follow the multiplier tables to ensure correct lumen value. Beams, CCT, baffle styles, baffle colors, lensing and accessories will change the lumen value.

CCT	BAFFLE STYLE AND COLOR	LENS * (At baffle)	ACCESSORIES * (At light element)
2700K	Flanged trim	SDL - Soft diffused lens, Solite	LSDL - Soft diffused lens, Solite
3000K	Trimless	FDL - Frosted lens	LFDL - Frosted lens
3500K	Bevel	CL - Clear lens	LS - Linear spread
4000K	Wet bevel	NOL - No lens	HEX - Hex louver
	Pinhole		
	White		
	Black		

* When more than one lens or accessory is specified, multiply together the value of each lens and/or accessory.
e.g. NOL + LSDL + LS = 1.1 x 1 x 0.84 = 0.924

AERA 2" DOWNLIGHT

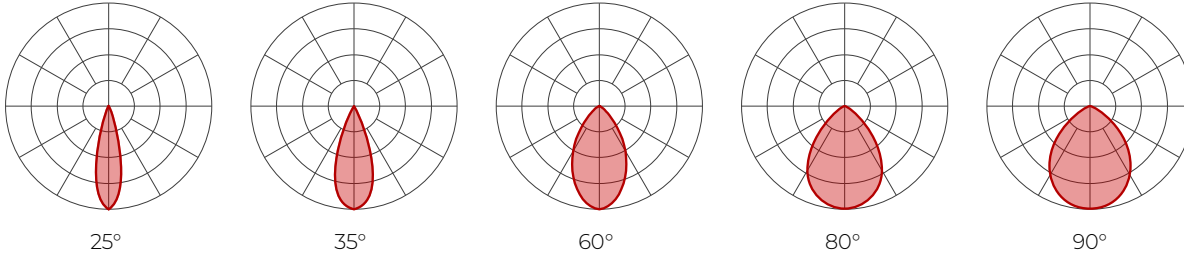
ROUND RECESSED



Photometrics

SOLA/DUO

Values calculated based on bevel baffle and SDL lens option.



SOLA

BEAM		25°		35°		60°		80°		90°	
		lm	lm/W	lm	lm/W	lm	lm/W	lm	lm/W	lm	lm/W
10 W	3000K	495	50	525	53	485	49	415	42	380	38
	2700K	495	50	525	53	485	49	415	42	380	38

DUO

BEAM		25°		35°		60°		80°		90°	
		lm	lm/W	lm	lm/W	lm	lm/W	lm	lm/W	lm	lm/W
8 W	6500K	500	63	485	61	440	55	380	48	350	44
	5000K	500	63	485	61	440	55	380	48	350	44
	2700K	430	54	420	53	355	44	305	38	280	35

MULTIPLIERS

Please follow the multiplier tables to ensure correct lumen value. Beams, CCT, baffle styles, baffle colors, lensing and accessories will change the lumen value.

BAFFLE STYLE AND COLOR		LENS * (At baffle)		ACCESSORIES * (At light element)	
Flanged trim	1	SDL - Soft diffused lens, Solite	1	LSDL - Soft diffused lens, Solite	1
Trimless	1	FDL - Frosted lens	0.8	LFDL - Frosted lens	0.8
Bevel	1	CL - Clear lens	1.1	LS - Linear spread	0.84
Wet bevel	1	NOL - No lens	1.1	HEX - Hex louver	0.86
Pinhole	0.92	* When more than one lens or accessory is specified, multiply together the value of each lens and/or accessory. e.g. NOL + LSDL = 1.1 x 1 = 1.1			
White	1				
Black	1				

AERA 2" DOWNLIGHT

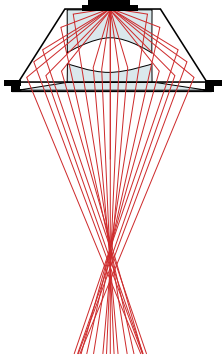
ROUND RECESSED



Technical Specifications

OPTIC

XPoint™ Refraction Technology optics provide precise optical control in a remarkably compact form. Micro optical paths from the chip on board converge and then disperse in precise beam angles, resulting in a crisp and exacting light quality.



LIGHT SOURCE

Static white

Compact COB (Chip-On-Board) LED module, available in 2700K, 3000K, 3500K and 4000K with a choice of 80 CRI, 90 CRI, or 95 CRI, with elevated R9 value for 90 CRI and above. Color consistency is maintained to within 2 SDCM. All LEDs have been tested in accordance with IESNA LM-80-08 and the results have shown L80 lumen maintenance greater than 60,000 hours. Absolute product photometry is measured and presented in accordance with IESNA LM-79, unless otherwise indicated.

Full spectrum

The full spectrum LED option offers improved color particularly in the cyan region which helps increase Cyanosis Observation Index (COI) and assist in regulating circadian rhythms. The cyan region in full spectrum LED is richer at the 480 nm range.

Chromawerx SOLA

Chromawerx SOLA is single-channel control that dims output while warming the color temperature in a pre-determined relationship. Two color temperature range options are offered: 3000K to 1800K, and 2700K to 1800K. A simple analog control adjusts a specially populated LED array to emulate the effect of dimming a filament source.

Chromawerx DUO

Chromawerx DUO offers a two-channel control system which uses analog or digital protocols for synchronous control of both cool to warm LED arrays - maintaining a CRI above 90. Two color temperature range options are offered: 6500K to 2700K, and 5000K to 2700K. The range of color DUO offers is useful for entraining circadian rhythms, stimulating alertness, and compensating for jet lag among other applications. The Chromawerx drivers are programmed to limit maximum light output and power usage across all color temperatures. When paired with DALI drivers (DDA/DDA8), color tuning follows a linear dimming curve.

ELECTRICAL

Unless otherwise specified, dimming down to 1%. At maximum driver load: efficiency > 84%, PF > 0.9, THD < 20%.

Integral: 0-10V, ELV, TRIAC

Remote: 0-10V, ELV, TRIAC, Lutron Hi-Lume 1% EcoSystem, DALI, eldoLED 0.1% SOLOdrive 0-10V, eldoLED 1% ECOdrive 0-10V, DMX, Lutron DALI-2 digital

Emergency battery options: Remotely-installed, long-life, high-temperature, maintenance-free, Bodine Lithium-Ion battery pack with self-test functionality, test switch and charge indicator. IOTA and Fulham options available upon request. Minimum of 90 minutes operation, and recharge time of 24 hours. For fixtures less than 10 W, the battery provides 6 W of emergency light output. For fixtures 10 W and over, the battery provides 10 W.

PoE

Depending on the PoE manufacturer selected, Lumenwerx will install the node in factory as either integral to the luminaire or as a remote module. Factory programming of the PoE node may or may not enable the following functionalities: lumen package, DUO (tunable white), QUADRO (RGBW), emergency battery backup, and sensor integration. These must be addressed and evaluated on a case-by-case basis.

CONSTRUCTION

Housing

For new construction, 20 gauge powder coated steel. Open frame, type-IC, or Chicago Plenum (CCEA) rated. 18 gauge galvanized steel junction box with ½" trade size knockouts. Adjustable hanger bars and butterfly brackets are included. Adjustable commercial hat channel and flush mounted brackets are also available.

AERA 2" DOWNLIGHT

ROUND RECESSED



Light element

LED module: Integral COB module. 90 CRI and 2 SDCM, Standard with options of 80 CRI, or 95 CRI. L80 > 60,000 hours.

XPoint™ Refraction Technology optic: Micro optical paths from the chip on board converge and then disperse in precise beam angles, resulting in a crisp and exacting light quality.

Thermal management: Die-cast aluminum heat sink to maximize thermal dissipation.

Baffle: Die-cast aluminum mounted with retaining spring clips

Trim style: Trimmed and trimless with mudplate or millwork adapter

WEIGHT

Open frame: 4.0 lbs - 1.8 kg

Type-IC: 6.5 lbs - 2.9 kg

Chicago Plenum: 6.5 lbs - 2.9 kg

Remodel: 2.25 lbs - 1.0 kg

LENS AND ACCESSORIES



Soft diffused lens, Solite



Frosted diffused lens



Clear lens



Linear spread



Hex louver

ENVIRONMENT

Ambient temperature at fixture location shall be within 0°C/32°F - 25°C/77°F, indoor dry or damp as well as outdoor damp use (canopies or marquees).

CERTIFICATIONS

ETL: Rated for indoor dry/damp locations. Conforms to UL Standard 1598 and certified to CAN/CSA Standard C22.2 No. 250.0.

IP44: IP44 rated for bathrooms, showers, outdoor canopies, and marquees when specified with the wet location (WET) option.

Chicago Plenum: City of Chicago approved (CCEA) when specified with CP installation type option.

IC rated: Suitable for direct contact with insulation when specified with IC, CP or AT installation type options.

ENERGY STAR: ENERGY STAR certified

Title 24 JAB: California Building Standards Code

Declare: [LBC Red List Approved](#)

WARRANTY

Lumenwerx provides a five-year limited warranty on electrical and mechanical performance of the luminaires, including the LED boards, drivers, and auxiliary electronics. Lumenwerx will repair or replace defective luminaires or components at our discretion, provided they have been installed and operated in accordance with our specifications. Other limitations apply, please refer to the full warranty on our website.