

AERA 2" DOWNLIGHT

SQUARE RECESSED WALL WASH



Wall Wash Trimless
Drywall Mudplate



Wall Wash
Flanged Trim



Aera recessed downlights are true to size, encased in minimalist housing, and suitable additions to any interior space where outstanding optical performance, maximal eye comfort, and/or an industry-leading wall wash are required.

Ceiling Types



Drywall



Millwork



Acoustic Tile

Installation Types

New Construction (Type Non-IC, Type-IC, CCEA)
Remodel (Type Non-IC)

Plenum Clearance



Beam Angle



Low UGR < 10

Wall Wash

Performance

LUMEN OUTPUT ¹	WATTS	EFFICACY
414 lm	7 W	59 lm/W
557 lm	10 W	56 lm/W

¹ Lumen packages are assuming 3500K, 80 CRI.

Light Source

Static White
Full Spectrum
SOLA - Dim-to-Warm
DUO - Tunable White



COB

2 Step Color Binning
Up to 95 CRI

Drivers

1%, 0.1% Dimming Available
0-10V, TRIAC, ELV, Lutron EcoSystem, DALI, DMX
Emergency Battery (optional)

Aera Family (Refer to other spec sheets) Downlight



2" / 3" / 4"
Round / Square
Recessed Adjustable



2" / 3" / 4"
Round / Square
Recessed



2" / 3" / 4"
Round / Square
Recessed Wall Wash

Multi-aperture



2" / 3" / 4"
Round / Square
Recessed Adjustable



2" / 3" / 4"
Round / Square
Recessed



2" / 3" / 4"
Round / Square
Recessed Wall Wash

Cylinder



2" / 3" / 4" / 5"
4" Seal
Pendant

Pendant Asymmetric
Pendant Wall Wash



2" / 3" / 4" / 5"
4" Seal
Wall

Wall Asymmetric



2" / 3" / 4" / 5"
4" Seal
Surface

Surface Asymmetric
Surface Wall Wash

AERA 2" DOWNLIGHT

SQUARE RECESSED WALL WASH



Project: _____

Type: _____

Order Guide

1 - Housing (Example: AE2SRWW-TRM-SW-OF-ASB-120V-7W-D1-NA)



For an ENERGY STAR® certified fixture, see page 3.
For a Title 24 JA8 compliant fixture, see page 4.

LUMINAIRE ID ¹	TRIM STYLE	LIGHT SOURCE	INSTALLATION TYPE	MOUNTING OPTION ⁴
AE2SRWW				
AE2SRWW - Aera 2" Square Recessed Wall Wash ¹ Recessed (fixed) and Recessed Adjustable also available. Consult other spec sheets.	TRM - Flanged trim TLMP - Trimless drywall mudplate TLMW ² - Trimless millwork ² For remodel (RM) installation type, TLMW adapter must be installed from above the ceiling or before ceiling is installed.	SW - Static white FS - Full spectrum SOLA - Dim-to-warm single channel control DUO - Tunable white 2-channel control	OF - Open Frame Type Non-IC IC ³ - Type-IC RM - Remodel Type Non-IC CP ³ - Chicago Plenum Type-IC (CCEA) AT ³ - Airtight Type-IC ³ Not available with 8 W output and higher.	ASB ⁵ - Adjustable standard bar hangers FMB ⁵ - Flush mount bars ACB ⁵ - Adjustable commercial bar hangers AHC ⁵ - Adjustable hat channel bars NA - None ⁴ See page 6 for more details. ⁵ Not available with RM installation type.

VOLTAGE	WATTAGE ⁷	DIMMING ⁹	OPTION ¹⁵
			NA
120V - 120V 277V - 277V UNV - 120V-277V 347V ⁶ - 347V ⁶ Available with RD1 driver only. Please consult factory.	7W - 7 W output, up to 414 lm 10W ⁸ - 10 W output, up to 557 lm ⁷ Lumen outputs are reduced with full spectrum, consult factory. ⁸ Not available with IC/CP/AT.	INTEGRAL D1 - 1% 0-10V ELV ¹⁰ - ELV 120V TRI ¹⁰ - TRIAC 120V ⁹ PoE (Power-over-Ethernet) compatible. Consult factory for details. ¹⁰ Available with 120V only.	REMOTE ¹¹ RD1 - 1% 0-10V RELV ¹² - ELV 120V RTRI ¹² - TRIAC 120V RLDEI ¹³ - Lutron Hi-lume 1% Eco RDA ¹³ - DALI RELD1 - eldoLED 1% ECOdrive 0-10V RELD0 - eldoLED 0.1% SOLOdrive 0-10V +EB ¹⁴ - Emergency battery ¹¹ A remote driver box is provided, see page 5 for details. ¹² Available with 120V only. ¹³ On-site commissioning is required. ¹⁴ For emergency battery, code will be like the following example: RD1+EB
	SOLA ⁸ 10W - 10 W output, up to 415 lm DUO ⁸ 8W - 8 W output, up to 370 lm	SOLA SD1 - Single 0-10V input SELV ¹⁰ - ELV 120V STRI ¹⁰ - TRIAC 120V	DUO RDMX ¹³ - DMX RDDA ¹³ - DALI DT6 RDDA8 ¹³ - DALI DT8 RDD1 - Dual 0-10V input for CCT/intensity RLD2 ¹³ - Lutron DALI-2 digital
			NA - None ¹⁵ To specify an ENERGY STAR certified fixture, see page 3. To specify a JA8 compliant fixture, see page 4.

2 - Light & Baffle (Example: AE2SRWWB-SW-7W-WW-2STP-90CRI-27K-TRM-WW-FTMW-FTMW-NA)

LUMINAIRE ID	LIGHT SOURCE	WATTAGE ¹⁶	BEAM	COLOR QUALITY	CRI	COLOR TEMP.
AE2SRWWB	Specify same as Housing	Specify same as Housing				
AE2SRWWB - Aera 2" Square Recessed Wall Wash	SW - Static white FS - Full spectrum SOLA - Dim-to-warm single channel control DUO - Tunable white 2-channel control	7W - 7 W output, up to 414 lm 10W ¹⁷ - 10 W output, up to 557 lm ¹⁶ Lumen outputs are reduced with full spectrum, consult factory. ¹⁷ Not available with IC/CP/AT.	WW - Wall wash	2STP ¹⁸ - 2 Step MacAdam Ellipse 3STP - 3 Step MacAdam Ellipse ¹⁸ Not available with full spectrum.	90CRI ¹⁹ - 90 CRI 95CRI - 95 CRI 80CRI ¹⁹ - 80 CRI ¹⁹ Not available with full spectrum.	27K - 2700K 30K - 3000K 35K - 3500K 40K - 4000K SOLA 30K18K - 3000K to 1800K 27K18K - 2700K to 1800K DUO 65K27K - 6500K to 2700K 50K27K - 5000K to 2700K

TRIM STYLE	LENS	BAFFLE FINISH	TRIM FLANGE FINISH	OPTION ²¹
Specify same as Housing			Specify NA for Trimless	
	WW			NA
TRM - Flanged trim TLMP - Trimless drywall mudplate TLMW ²⁰ - Trimless millwork ²⁰ For remodel (RM) installation type, TLMW adapter must be installed from above the ceiling or before ceiling is installed.	WW - Wall wash diffuser	FTMW - Textured matte white FTMB - Textured matte black FSPC - Specular FSSPC - Semi-specular FCHP - Champagne CF# - Custom finish, specify RAL#	FTMW - Textured matte white FTMB - Textured matte black FSPC - Specular FSSPC - Semi-specular FCHP - Champagne CF# - Custom finish, specify RAL# NA - Not applicable	NA - None ²¹ To specify an ENERGY STAR certified fixture, see page 3. To specify a JA8 compliant fixture, see page 4.



AERA 2" DOWNLIGHT

SQUARE RECESSED WALL WASH

ENERGY STAR



Project: _____

Type: _____

Order Guide



1 - Housing (Example: AE2SRWW-TRM-SW-OF-ASB-120V-7W-D1-ES)

LUMINAIRE ID ¹	TRIM STYLE	LIGHT SOURCE	INSTALLATION TYPE	MOUNTING OPTION ²
AE2SRWW		SW		
AE2SRWW - Aera 2" Square Recessed Wall Wash ¹ Recessed (fixed) and Recessed Adjustable also available. Consult other spec sheets.	TRM - Flanged trim TLMP - Trimless drywall mudplate TLMW - Trimless millwork	SW - Static white	OF - Open Frame Type Non-IC IC - Type-IC RM - Remodel Type Non-IC CP - Chicago Plenum Type-IC (CCEA) AT - Airtight Type-IC	ASB - Adjustable standard bar hangers FMB - Flush mount bars ACB - Adjustable commercial bar hangers AHC - Adjustable hat channel bars NA - None ² See page 6 for more details.

VOLTAGE	WATTAGE	DIMMING		OPTION
	7W			ES
120V - 120V 277V - 277V UNV - 120V-277V	7W - 7 W output, up to 414 lm	INTEGRAL D1 - 1% 0-10V ELV ³ - ELV 120V TRI ³ - TRIAC 120V ³ Available with 120V only.	REMOTE ⁴ RD1 - 1% 0-10V RELV ⁵ - ELV 120V RTRI ⁵ - TRIAC 120V RLDEI ⁶ - Lutron Hi-Lume 1% Eco ⁴ A remote driver box is provided, see page 5 for details. ⁵ Available with 120V only. ⁶ On-site commissioning is required.	ES - ENERGY STAR

2 - Light & Baffle (Example: AE2SRWWB-SW-7W-WW-2STP-90CRI-27K-TRM-WW-FTMW-FTMW-ES)

LUMINAIRE ID	LIGHT SOURCE Specify same as Housing	WATTAGE Specify same as Housing	BEAM	COLOR QUALITY	CRI	COLOR TEMP.
AE2SRWWB	SW	7W	WW	2STP		
AE2SRWWB - Aera 2" Square Recessed Wall Wash	SW - Static white	7W - 7 W output, up to 414 lm	WW - Wall wash	2STP - 2 Step MacAdam Ellipse	90CRI - 90 CRI 80CRI - 80 CRI	27K - 2700K 30K - 3000K 35K - 3500K 40K - 4000K

TRIM STYLE Specify same as Housing	LENS	BAFFLE FINISH	TRIM FLANGE FINISH Specify NA for Trimless	OPTION
	WW			ES
TRM - Flanged trim TLMP - Trimless drywall mudplate TLMW - Trimless millwork	WW - Wall wash diffuser	FTMW - Textured matte white FTMB - Textured matte black FSPC - Specular FSSPC - Semi-specular FCHP - Champagne CF# - Custom finish, specify RAL#	FTMW - Textured matte white FTMB - Textured matte black FSPC - Specular FSSPC - Semi-specular FCHP - Champagne CF# - Custom finish, specify RAL# NA - Not applicable	ES - ENERGY STAR



AERA 2" DOWNLIGHT

SQUARE RECESSED WALL WASH

Title 24 JA8

Order Guide



Project: _____
 Type: _____



1 - Housing (Example: AE2SRWW-TRM-SW-AT-ASB-120V-7W-D1-JA8)

LUMINAIRE ID ¹	TRIM STYLE	LIGHT SOURCE	INSTALLATION TYPE	MOUNTING OPTION ²
AE2SRWW			AT	
AE2SRWW - Aera 2" Square Recessed Wall Wash ¹ Recessed (fixed) and Recessed Adjustable also available. Consult other spec sheets.	TRM - Flanged trim TLMP - Trimless drywall mudplate TLMW - Trimless millwork	SW - Static white SOLA - Dim-to-warm single channel control	AT - Airtight Type-IC	ASB - Adjustable standard bar hangers FMB - Flush mount bars ACB - Adjustable commercial bar hangers AHC - Adjustable hat channel bars NA - None ² See page 6 for more details.

VOLTAGE	WATTAGE	DIMMING		OPTION
				JA8
120V - 120V 277V - 277V	7W - 7 W output, up to 414 lm	INTEGRAL D1 - 1% 0-10V ELV ³ - ELV 120V TRI ³ - TRIAC 120V ³ Available with 120V only.	REMOTE ⁴ RDI - 1% 0-10V RELV ⁵ - ELV 120V RTRI ⁵ - TRIAC 120V RLDEI ⁶ - Lutron Hi-Lume 1% Eco ⁴ A remote driver box is provided, see page 5 for details. ⁵ Available with 120V only. ⁶ On-site commissioning is required.	JA8 - JA8 compliant
	8W - 8 W output, up to 468 lm	SDI - Single 0-10V input SELV ³ - ELV 120V STRI ³ - TRIAC 120V	RSDI - Single 0-10V input RSELV ⁵ - ELV 120V RSTRI ⁵ - TRIAC 120V	

2 - Light & Baffle (Example: AE2SRWWB-SW-7W-WW-2STP-90CRI-27K-TRM-WW-FTMW-FTMW-JA8)

LUMINAIRE ID	LIGHT SOURCE	WATTAGE	BEAM	COLOR QUALITY	CRI	COLOR TEMP.
AE2SRWWB	Specify same as Housing	Specify same as Housing				
AE2SRWWB - Aera 2" Square Recessed Wall Wash	SW - Static white SOLA - Dim-to-warm single channel control	7W - 7 W output, up to 414 lm 8W - 8 W output, up to 468 lm	WW - Wall wash	2STP - 2 Step MacAdam Ellipse 3STP - 3 Step MacAdam Ellipse 3STP - 3 Step MacAdam Ellipse	90CRI - 90 CRI	27K - 2700K 30K - 3000K 35K - 3500K 40K - 4000K SOLA ⁷ - Dim-to-warm single channel control ⁷ 3500K to 2200K

TRIM STYLE	LENS	BAFFLE FINISH	TRIM FLANGE FINISH	OPTION
Specify same as Housing			Specify NA for Trimless	JA8
TRM - Flanged trim TLMP - Trimless drywall mudplate TLMW - Trimless millwork	WW - Wall wash diffuser	FTMW - Textured matte white FTMB - Textured matte black FSPC - Specular FSSPC - Semi-specular FCHP - Champagne CF# - Custom finish, specify RAL#	FTMW - Textured matte white FTMB - Textured matte black FSPC - Specular FSSPC - Semi-specular FCHP - Champagne CF# - Custom finish, specify RAL# NA - Not applicable	JA8 - JA8 compliant



AERA 2" DOWNLIGHT

SQUARE RECESSED WALL WASH



Housing

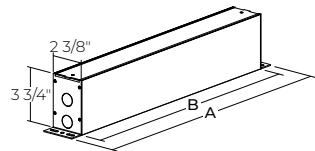
INSTALLATION TYPES		
OF - Open Frame Type Non-IC	IC - Type-IC	CP - Chicago Plenum Type-IC (CCEA) AT - Airtight Type-IC

RM - Remodel Type Non-IC	
Integral	Remote

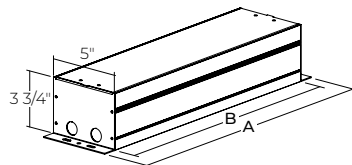
- For height dimension C, see the PLENUM CLEARANCE & CUT-OUT DIMENSIONS table below.
 - For OF, IC, CP, and AT installation types with remote dimming, a remote driver box is provided.

REMOTE DRIVER BOX

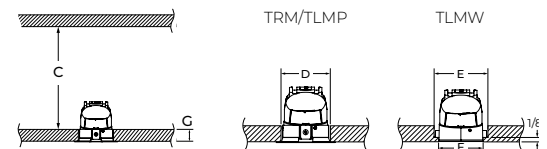
RDB8 / RDB18 / RDB24



RDB24W



PLENUM CLEARANCE & CUT-OUT DIMENSIONS



	RDB8	RDB18	RDB24	RDB24W
A	10"	20"	26"	26"
B	8"	18"	24"	24"
DRIVER	RD1 - 1% 0-10V RELV - ELV 120V RTRI - TRIAC 120V SOLA RSD1 - Single 0-10V input RSELV - ELV 120V RSTRI - TRIAC 120V	RLDE1 - Lutron Hi-lume 1% Eco RDA - DALI RELD1 - eldoLED 1% ECOdrive 0-10V RELD0 - eldoLED 0.1% SOLOdrive 0-10V	Emergency battery (+EB) with the following driver options. RD1+EB - 1% 0-10V RELV+EB - ELV 120V RTRI+EB - TRIAC 120V DUO RDMX - DMX RDDA - DALI DT6 RDDA8 - DALI DT8 RDD1 - Dual 0-10V input for CCT/intensity RLD2 - Lutron DALI-2 digital	Emergency battery (+EB) with the following driver options. RLDE1+EB - Lutron Hi-lume 1% Eco RDA+EB - DALI RELD1+EB - eldoLED 1% ECOdrive 0-10V RELD0+EB - eldoLED 0.1% SOLOdrive 0-10V

C	PLENUM CLEARANCE HEIGHT				
	REMOTE & INTEGRAL			INTEGRAL	REMOTE
	OF	IC	CP/AT	RM	RM
	4"	4"	4"	4"	3 3/8"

D	CUT-OUT DIMENSIONS	
	TRM/TLMP	2 1/2" x 2 1/2"
	TLMW	2 1/2" x 2 1/2"
F	2 1/16" x 2 1/16" with 1/8" lip	

G	MAXIMUM CEILING THICKNESS	
	TRM/TLMP	1"
	TLMW	5/8"

AERA 2" DOWNLIGHT

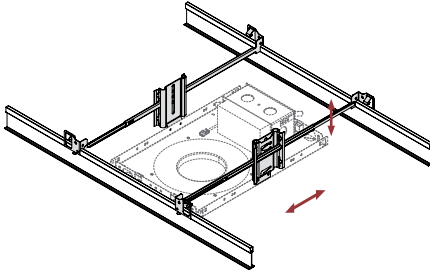
SQUARE RECESSED WALL WASH



Housing

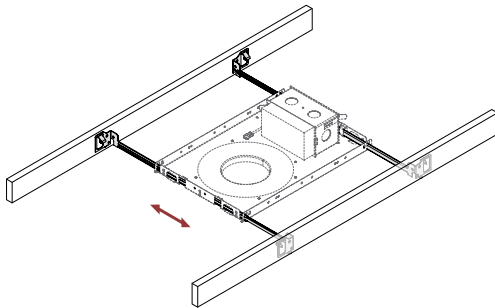
MOUNTING OPTIONS

ASB - Adjustable Standard Bar Hangers



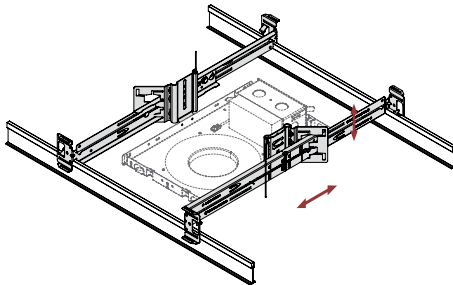
Adjustable Standard Bar hangers can be used in both commercial and residential applications and are adjustable to various heights in both Grid Ceiling and Drywall mounting. ASB hangers are less rigid and versatile than ACB hangers.

FMB - Flush Mount Bars



Flush Mount Bars are best used in residential applications, fitting snug to the surface and suitable for Wood, Metal, and Drywall mounting. The flush mounted bars are static and can't be adjusted.

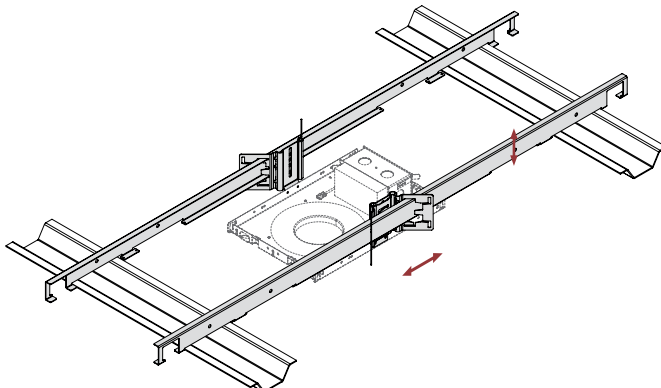
ACB - Adjustable Commercial Bar Hangers



Adjustable Commercial Bar hangers can be used in both commercial and residential applications and are by far the most versatile mounting bar we offer with its adjustability to various heights. ACB hangers are suitable for Grid Ceiling, Drywall, Metal, Wood and Frame mounting.

- Extremely rigid
- Fits into C-Channel notches in a Butterfly Bracket

AHC - Adjustable Hat Channel Bars



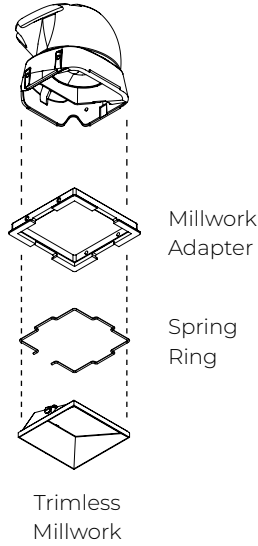
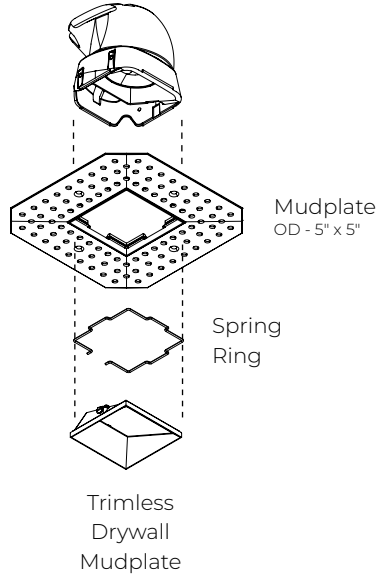
Adjustable Hat Channel bars can be used in both commercial and residential applications and come with a butterfly clip to adjust to various heights. AHC bars can be hung downward by 90 degrees in vertical position, and once wired, can be shifted onto the horizontal mounting plane. AHC bars are suitable for both Drywall and wood ceiling applications.

AERA 2" DOWNLIGHT

SQUARE RECESSED WALL WASH



Light & Baffle



Wall Wash	
TRM Flanged Trim	TLMP/TLMW Trimless Drywall Mudplate /Trimless Millwork
<p>■ Baffle finish</p> <p>■ Trim flange finish</p>	

AERA 2" DOWNLIGHT

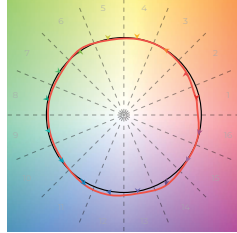
SQUARE RECESSED WALL WASH



Color Quality

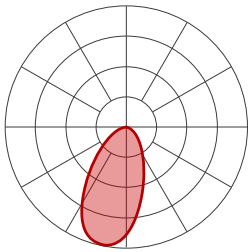
COLOR QUALITY - 3500K

TM-30 R _r	91
TM-30 R _g	100
CRI	90
R9	> 50



Photometrics

Values calculated with white wall wash baffle, and based on 3500K for static white.



STATIC WHITE

CRI	90 CRI		95 CRI		80 CRI	
	lm	lm/W	lm	lm/W	lm	lm/W
7 W	387	55	298	43	414	59
10 W	521	52	401	40	557	56

SOLA

		lm	
		lm	lm/W
10 W	3000K	415	42
	2700K	415	42

DUO

		lm	
		lm	lm/W
8 W	6500K	370	46
	5000K	370	46
	2700K	320	40

MULTIPLIERS

Please follow the multiplier tables to ensure correct lumen value. CCT and baffle colors will change the lumen value.

CCT

STATIC WHITE	
2700K	0.9
3000K	0.95
3500K	1
4000K	1.05

BAFFLE STYLE AND COLOR

Flanged trim	1
Trimless	1
White	1
Black	1

AERA 2" DOWNLIGHT

SQUARE RECESSED WALL WASH

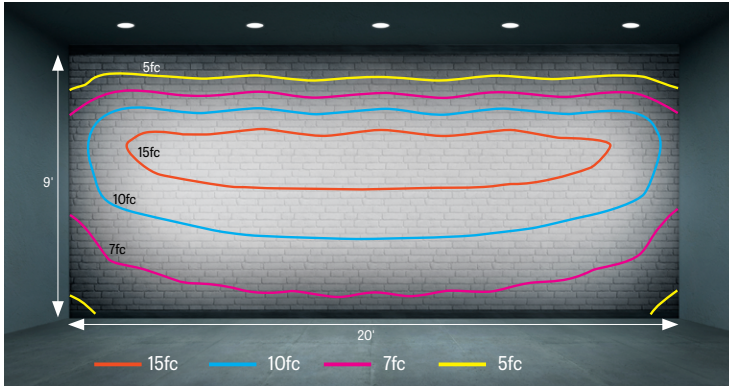


Photometrics

UNIFORMITY

Values calculated based on 3500K and white wall wash baffle.

24" from Wall - 36" Spacing



Foot-candles

		FC ON WALL			24" FROM WALL - 24" SPACING			24" FROM WALL - 36" SPACING			24" FROM WALL - 48" SPACING		
		90 CRI	95 CRI	80 CRI	90 CRI	95 CRI	80 CRI	90 CRI	95 CRI	80 CRI			
ABOVE FINISHED FLOOR	9'	4	3	5	3	2	3	2	2	2			
	8'	16	12	17	10	7	10	8	6	8			
	7'	22	17	24	14	11	15	11	8	11			
	6'	21	16	22	13	10	14	10	8	11			
	5'	16	13	18	11	8	12	8	6	9			
	4'	13	10	14	9	7	9	7	5	7			
	3'	10	8	11	7	5	7	5	4	6			
	2'	9	7	9	6	5	6	5	3	5			
	1'	8	6	8	5	4	6	4	3	4			

AERA 2" DOWNLIGHT

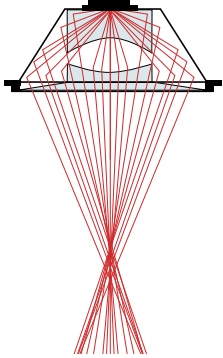
SQUARE RECESSED WALL WASH



Technical Specifications

OPTIC

XPoint™ Refraction Technology optics provide precise optical control in a remarkably compact form. Micro optical paths from the chip on board converge and then disperse in precise beam angles, resulting in a crisp and exacting light quality.



LIGHT SOURCE

Static white

Compact COB (Chip-On-Board) LED module, available in 2700K, 3000K, 3500K and 4000K with a choice of 80 CRI, 90 CRI, or 95 CRI, with elevated R9 value for 90 CRI and above. Color consistency is maintained to within 2 SDCM. All LEDs have been tested in accordance with IESNA LM-80-08 and the results have shown L80 lumen maintenance greater than 60,000 hours. Absolute product photometry is measured and presented in accordance with IESNA LM-79, unless otherwise indicated.

Full spectrum

The full spectrum LED option offers improved color particularly in the cyan region which helps increase Cyanosis Observation Index (COI) and assist in regulating circadian rhythms. The cyan region in full spectrum LED is richer at the 480 nm range.

Chromawerx SOLA

Chromawerx SOLA is single-channel control that dims output while warming the color temperature in a pre-determined relationship. Two color temperature range options are offered: 3000K to 1800K, and 2700K to 1800K. A simple analog control adjusts a specially populated LED array to emulate the effect of dimming a filament source.

Chromawerx DUO

Chromawerx DUO offers a two-channel control system which uses analog or digital protocols for synchronous control of both cool to warm LED arrays - maintaining a CRI above 90. Two color temperature range options are offered: 6500K to 2700K, and 5000K to 2700K. The range of color DUO offers is useful for entraining circadian rhythms, stimulating alertness, and compensating for jet lag among other applications. The Chromawerx drivers are programmed to limit maximum light output and power usage across all color temperatures. When paired with DALI drivers (DDA/DDA8), color tuning follows a linear dimming curve.

ELECTRICAL

Unless otherwise specified, dimming down to 1%. At maximum driver load: efficiency > 84%, PF > 0.9, THD < 20%.

Integral: 0-10V, ELV, TRIAC

Remote: 0-10V, ELV, TRIAC, Lutron Hi-Lume 1% EcoSystem, DALI, eldoLED 0.1% SOLOdrive 0-10V, eldoLED 1% ECOdrive 0-10V, DMX, Lutron DALI-2 digital

Emergency battery options: Remotely-installed, long-life, high-temperature, maintenance-free, Bodine Lithium-Ion battery pack with self-test functionality, test switch and charge indicator. IOTA and Fulham options available upon request. Minimum of 90 minutes operation, and recharge time of 24 hours. For fixtures less than 10 W, the battery provides 6 W of emergency light output. For fixtures 10 W and over, the battery provides 10 W.

PoE

Depending on the PoE manufacturer selected, Lumenwerx will install the node in factory as either integral to the luminaire or as a remote module. Factory programming of the PoE node may or may not enable the following functionalities: lumen package, DUO (tunable white), QUADRO (RGBW), emergency battery backup, and sensor integration. These must be addressed and evaluated on a case-by-case basis.

CONSTRUCTION

Housing

For new construction, 20 gauge powder coated steel. Open frame, type-IC, or Chicago Plenum (CCEA) rated. 18 gauge galvanized steel junction box with ½" trade size knockouts. Adjustable hanger bars and butterfly brackets are included. Adjustable commercial hat channel and flush mounted brackets are also available.

AERA 2" DOWNLIGHT

SQUARE RECESSED WALL WASH



Light element

LED module: Integral COB module. 90 CRI and 2 SDCM, Standard with options of 80 CRI, or 95 CRI. L80 > 60,000 hours.

XPoint™ Refraction Technology optic: Micro optical paths from the chip on board converge and then disperse in precise beam angles, resulting in a crisp and exacting light quality.

Thermal management: Die-cast aluminum heat sink to maximize thermal dissipation.

Baffle: Die-cast aluminum mounted with retaining spring clips

Trim style: Trimmed and trimless with mudplate or millwork adapter

WEIGHT

Open frame: 4.0 lbs - 1.8 kg

Type-IC: 6.5 lbs - 2.9 kg

Chicago Plenum: 6.5 lbs - 2.9 kg

Remodel: 2.25 lbs - 1.0 kg

ENVIRONMENT

Ambient temperature at fixture location shall be within 0°C/32°F - 25°C/77°F, indoor dry or damp as well as outdoor damp use (canopies or marquees).

CERTIFICATIONS

ETL: Rated for indoor dry/damp locations. Conforms to UL Standard 1598 and certified to CAN/CSA Standard C22.2 No. 250.0.

Chicago Plenum: City of Chicago approved (CCEA) when specified with CP installation type option.

IC rated: Suitable for direct contact with insulation when specified with IC, CP or AT installation type options.

ENERGY STAR: ENERGY STAR certified

Title 24 JAB: California Building Standards Code

Declare: [LBC Red List Approved](#)

WARRANTY

Lumenwerx provides a five-year limited warranty on electrical and mechanical performance of the luminaires, including the LED boards, drivers, and auxiliary electronics. Lumenwerx will repair or replace defective luminaires or components at our discretion, provided they have been installed and operated in accordance with our specifications. Other limitations apply, please refer to the full warranty on our website.