

# AERA 3" CYLINDER

WALL, WALL ASYMMETRIC  
DIRECT/INDIRECT, DIRECT, INDIRECT



Project: \_\_\_\_\_  
Type: \_\_\_\_\_

# LUMENWERX

8" Height  
Bevel



8" Height  
Decorative Bevel



12" Height  
Pinhole



True-to-size with a versatile minimalist aesthetic, Aera Cylinder luminaires are high-performance fixtures, delivering visually comfortable lighting suitable for a wide range of applications.

### Beam Angles

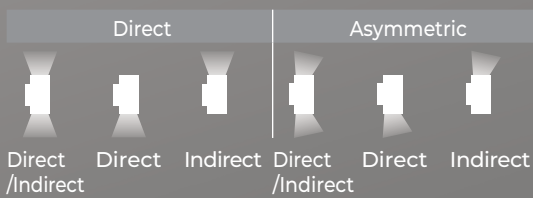


### Performance

LUMEN OUTPUT <sup>1</sup>	WATTS	EFFICACY
1132 lm	10 W	113 lm/W
1545 lm	14 W	110 lm/W
2135 lm	20 W	107 lm/W

<sup>1</sup>Lumen packages are assuming 3500K, 80 CRI, 35° beam, bevel baffle, SDL lens option.

### Distributions



### Mounting Options



### Certification



### Light Source

Static White  
Full Spectrum  
SOLA - Dim-to-Warm  
DUO - Tunable White



### COB

2 Step Color Binning  
Up to 95 CRI

### Driver

1%, 0.1% Dimming Available  
0-10V, TRIAC, ELV, Lutron EcoSystem, DALI, DMX  
Emergency Battery (optional)

### Aera Family (Refer to other spec sheets)

#### Downlight

2" / 3" / 4" Round / Square Recessed Adjustable	2" / 3" / 4" Round / Square Recessed	2" / 3" / 4" Round / Square Recessed Wall Wash

#### Multi-aperture

2" / 3" / 4" Round / Square Recessed Adjustable	2" / 3" / 4" Round / Square Recessed	2" / 3" / 4" Round / Square Recessed Wall Wash

#### Cylinder

2" / 3" / 4" / 5" 4" Seal Pendant Pendant Asymmetric Pendant Wall Wash	2" / 3" / 4" / 5" 4" Seal Wall Wall Asymmetric	2" / 3" / 4" / 5" 4" Seal Surface Surface Asymmetric Surface Wall Wash



# AERA 3" CYLINDER

WALL, WALL ASYMMETRIC  
DIRECT/INDIRECT, DIRECT, INDIRECT

# LUMENWERX

Project: \_\_\_\_\_

Type: \_\_\_\_\_



To specify a Title 24 JA8 compliant fixture, see page 3.

## Order Guide

LUMINAIRE ID	DISTRIBUTION	CYLINDER HEIGHT <sup>1</sup>		CYLINDER FINISH	BAFFLE STYLE	BAFFLE FINISH
<b>AE3CYW</b> - Aera 3" Cylinder Wall <b>AE3CYWASY</b> - Aera 3" Cylinder Wall Asymmetric	<b>DI</b> - Direct/Indirect <b>D</b> - Direct <b>I</b> - Indirect	<b>DIRECT/INDIRECT</b>	<b>DIRECT OR INDIRECT</b>	<b>FTMW</b> - Textured matte white <b>FTMB</b> - Textured matte black <b>FCHP</b> - Champagne <b>CF#</b> - Custom finish, specify RAL#	<b>BVL</b> - Bevel <b>PHL</b> - Pinhole <b>BVLD</b> - Decorative bevel	<b>FTMW</b> - Textured matte white <b>FTMB</b> - Textured matte black <b>FSPC</b> - Specular <b>FSSPC</b> - Semi-specular <b>FCHP</b> - Champagne <b>CF#</b> - Custom finish, specify RAL#
		<b>6IN</b> <sup>2</sup> - 6" <b>8IN</b> <sup>2</sup> - 8" <b>12IN</b> <sup>3</sup> - 12" <b>14IN</b> - 14"	<b>6IN</b> <sup>3</sup> - 6" <b>8IN</b> - 8" <b>12IN</b> - 12" <b>14IN</b> - 14"			

<sup>1</sup> For minimum heights, see dimensions on page 4.  
<sup>2</sup> Available with remote driver only.  
<sup>3</sup> Available with remote driver only when specified with Wall Asymmetric.

LENS *	LIGHT SOURCE	DIRECT BEAM Specify NA for Indirect	INDIRECT BEAM Specify NA for Direct	COLOR QUALITY	CRI	COLOR TEMP.	ACCESSORIES *
<b>At baffle</b> (choose 1 option) Specify NOL for Pinhole <b>SDL</b> - Soft diffused lens, Solite <b>FDL</b> - Frosted diffused lens <b>CL</b> - Clear lens <b>NOL</b> - No lens	<b>SW</b> - Static white <b>FS</b> - Full spectrum  <b>SOLA</b> - Dim-to-warm single channel control 35K to 22K <b>DUO</b> - Tunable white 2-channel control 65K to 27K	<b>15DEG</b> - 15° Narrow spot <b>25DEG</b> - 25° Spot <b>35DEG</b> - 35° Narrow flood <b>50DEG</b> - 50° Wide flood <b>80DEG</b> <sup>4</sup> - 80° Very wide flood <b>90DEG</b> <sup>4</sup> - 90° Open flood <b>NA</b> - Not applicable  <b>50DEG</b> - 50° Wide flood <b>NA</b> - Not applicable	<b>15DEG</b> - 15° Narrow spot <b>25DEG</b> - 25° Spot <b>35DEG</b> - 35° Narrow flood <b>50DEG</b> - 50° Wide flood <b>80DEG</b> <sup>5</sup> - 80° Very wide flood <b>90DEG</b> <sup>5</sup> - 90° Open flood <b>NA</b> - Not applicable  <b>50DEG</b> - 50° Wide flood <b>NA</b> - Not applicable	<b>2STP</b> <sup>6</sup> - 2 Step MacAdam Ellipse <b>3STP</b> - 3 Step MacAdam Ellipse  <sup>6</sup> Not available with full spectrum.  <b>3STP</b> - 3 Step MacAdam Ellipse	<b>90CRI</b> <sup>7</sup> - 90 CRI <b>95CRI</b> - 95 CRI <b>80CRI</b> <sup>7</sup> - 80 CRI  <sup>7</sup> Not available with full spectrum.  <b>90CRI</b> - 90 CRI	<b>27K</b> - 2700K <b>30K</b> - 3000K <b>35K</b> - 3500K <b>40K</b> - 4000K  <b>SOLA</b> - Dim-to-warm single channel control 35K to 22K <b>DUO</b> - Tunable white 2-channel control 65K to 27K	<b>At light element</b> <sup>8,9</sup> (choose up to 2 options) <b>LSDL</b> - Soft diffused lens, Solite <b>LFDL</b> - Frosted diffused lens <b>LS</b> - Linear spread <b>HEX</b> - Hex louver <b>NA</b> - None  <sup>8</sup> If two options are specified, separate codes with a "+", e.g. <b>LSDL+HEX</b> . <sup>9</sup> LSDL and LFDL cannot be combined. LS and HEX cannot be combined.

\* LSDL or LFDL at light element cannot be combined with SDL, FDL, or CL at baffle. For SOLA/DUO, one of the following lenses must be specified: SDL, FDL, LSDL, or LFDL.

VOLTAGE	DIRECT WATTAGE <sup>11</sup> Specify NA for indirect		INDIRECT WATTAGE <sup>13</sup> Specify NA for Direct		DIMMING <sup>15</sup>		
<b>120V</b> - 120V <b>277V</b> - 277V <b>UNV</b> - 120V-277V <b>347V</b> <sup>10</sup> - 347V	<b>WALL</b> <b>10W</b> - 10 W output, up to 1132 lm <b>14W</b> - 14 W output, up to 1545 lm <b>20W</b> <sup>12</sup> - 20 W output, up to 2135 lm  <b>NA</b> - Not applicable	<b>WALL ASY.</b> <b>10W</b> - 10 W output, up to 1029 lm <b>14W</b> - 14 W output, up to 1406 lm <b>20W</b> <sup>12</sup> - 20 W output, up to 1942 lm  <b>NA</b> - Not applicable	<b>WALL</b> <b>10W</b> - 10 W output, up to 1132 lm <b>14W</b> - 14 W output, up to 1545 lm <b>20W</b> <sup>14</sup> - 20 W output, up to 2135 lm  <b>NA</b> - Not applicable	<b>WALL ASY.</b> <b>10W</b> - 10 W output, up to 1029 lm <b>14W</b> - 14 W output, up to 1406 lm <b>20W</b> <sup>14</sup> - 20 W output, up to 1942 lm  <b>NA</b> - Not applicable	<b>INTEGRAL</b> <b>D1</b> - 1% 0-10V <b>ELV</b> <sup>16</sup> - ELV 120V <b>TRI</b> <sup>16</sup> - TRIAC 120V  <sup>15</sup> PoE (Power-over-Ethernet) compatible. Consult factory for details. <sup>16</sup> Available with 120V only.	<b>REMOTE</b> <sup>17</sup> <b>RD1</b> - 1% 0-10V <b>RELV</b> <sup>18</sup> - ELV 120V <b>RTRI</b> <sup>18</sup> - TRIAC 120V  <sup>17</sup> A remote driver box is provided, see page 5 for details. <sup>18</sup> Available with 120V only.	<b>RLDE1</b> <sup>19</sup> - Lutron Hi-lume 1% Eco <b>RDA</b> <sup>19</sup> - DALI <b>RELD1</b> - eldoLED 1% ECOdrive 0-10V <b>RELD0</b> - eldoLED 0.1% SOLOdrive 0-10V <b>+EB</b> <sup>20</sup> - Emergency battery  <sup>19</sup> On-site commissioning is required. <sup>20</sup> For emergency battery, code will be like the following example: <b>RD1+EB</b> .
	<b>SOLA</b> <b>12W</b> - 12 W output, up to 725 lm  <b>DUO</b> <b>11W</b> - 11 W output, up to 525 lm  <b>NA</b> - Not applicable	<b>SOLA</b> <b>12W</b> - 12 W output, up to 625 lm  <b>DUO</b> <b>11W</b> - 11 W output, up to 475 lm  <b>NA</b> - Not applicable	<b>SOLA</b> <b>12W</b> - 12 W output, up to 725 lm  <b>DUO</b> <b>11W</b> - 11 W output, up to 525 lm  <b>NA</b> - Not applicable	<b>SOLA</b> <b>12W</b> - 12 W output, up to 625 lm  <b>DUO</b> <b>11W</b> - 11 W output, up to 475 lm  <b>NA</b> - Not applicable	<b>SOLA</b> <b>SD1</b> - Single 0-10V input <b>SELV</b> <sup>16</sup> - ELV 120V <b>STRI</b> <sup>16</sup> - TRIAC 120V	<b>SOLA</b> <b>RSD1</b> - Single 0-10V input <b>RSELV</b> <sup>18</sup> - ELV 120V <b>RSTRI</b> <sup>18</sup> - TRIAC 120V	<b>DUO</b> <b>RDMX</b> <sup>19</sup> - DMX <b>RDDA</b> <sup>19</sup> - DALI DT6 <b>RDDA8</b> <sup>19</sup> - DALI DT8 <b>RDD1</b> - Dual 0-10V input for CCT/intensity <b>RPSQ0</b> <sup>19</sup> - Lutron T-Series 1% tunable white

ELECTRICAL	MOUNTING TYPE	MOUNTING FINISH <sup>22</sup>	OPTION <sup>23</sup>
<b>1C</b> - 1 circuit <b>2C</b> <sup>21</sup> - 2 circuits  <sup>21</sup> Available with Direct/Indirect and remote driver only.	<b>FLS</b> - Flat square canopy, 4" octagonal junction box <b>DM</b> - Direct mount	<b>FTMW</b> - Textured matte white <b>FTMB</b> - Textured matte black <b>FCHP</b> - Champagne <b>CF#</b> - Custom finish, specify RAL#  <sup>22</sup> Direct mount finish matches cylinder finish.	<b>NA</b> - None  <sup>23</sup> To specify a JA8 compliant fixture, see page 3.



# AERA 3" CYLINDER

WALL, WALL ASYMMETRIC  
DIRECT/INDIRECT, DIRECT, INDIRECT  
Title 24 JA8

# LUMENWERX

Project: \_\_\_\_\_

Type: \_\_\_\_\_



## Order Guide

LUMINAIRE ID	DISTRIBUTION	CYLINDER HEIGHT <sup>1</sup>	CYLINDER FINISH	BAFFLE STYLE	BAFFLE FINISH
<b>AE3CYW</b> - Aera 3" Cylinder Wall <b>AE3CYWASY</b> - Aera 3" Cylinder Wall Asymmetric	<b>D</b> - Direct <b>I</b> - Indirect	<b>6IN</b> <sup>2</sup> - 6" <b>8IN</b> - 8" <b>12IN</b> - 12" <b>14IN</b> - 14"  <sup>1</sup> For minimum heights, see dimensions on page 4. <sup>2</sup> Available with remote driver only when specified with Wall Asymmetric.	<b>FTMW</b> - Textured matte white <b>FTMB</b> - Textured matte black <b>FCHP</b> - Champagne <b>CF#</b> - Custom finish, specify RAL#	<b>BVL</b> - Bevel <b>PHL</b> - Pinhole <b>BVLD</b> - Decorative bevel	<b>FTMW</b> - Textured matte white <b>FTMB</b> - Textured matte black <b>FSPC</b> - Specular <b>FSSPC</b> - Semi-specular <b>FCHP</b> - Champagne <b>CF#</b> - Custom finish, specify RAL#

LENS * See page 4 for details	LIGHT SOURCE	DIRECT BEAM Specify NA for Indirect	INDIRECT BEAM Specify NA for Direct	COLOR QUALITY	CRI	COLOR TEMP.	ACCESSORY * See page 4 for details
					<b>90CRI</b>		
<b>At baffle</b> Specify NOL for Pinhole  <b>SDL</b> - Soft diffused lens, Solite <b>FDL</b> - Frosted diffused lens <b>CL</b> - Clear lens <b>NOL</b> - No lens	<b>SW</b> - Static white	<b>15DEG</b> - 15° Narrow spot <b>25DEG</b> - 25° Spot <b>35DEG</b> - 35° Narrow flood <b>50DEG</b> - 50° Wide flood <b>80DEG</b> <sup>3</sup> - 80° Very wide flood <b>90DEG</b> <sup>3</sup> - 90° Open flood <b>NA</b> - Not applicable  <sup>3</sup> Not available with Asymmetric.	<b>15DEG</b> - 15° Narrow spot <b>25DEG</b> - 25° Spot <b>35DEG</b> - 35° Narrow flood <b>50DEG</b> - 50° Wide flood <b>80DEG</b> <sup>4</sup> - 80° Very wide flood <b>90DEG</b> <sup>4</sup> - 90° Open flood <b>NA</b> - Not applicable  <sup>4</sup> Not available with Asymmetric.	<b>25STP</b> - 2 Step MacAdam Ellipse <b>35STP</b> - 3 Step MacAdam Ellipse	<b>90CRI</b> - 90 CRI	<b>27K</b> - 2700K <b>30K</b> - 3000K <b>35K</b> - 3500K <b>40K</b> - 4000K	<b>At light element</b>  <b>LSDL</b> - Soft diffused lens, Solite <b>LFDL</b> - Frosted diffused lens <b>NA</b> - None
	<b>SOLA</b> - Dim-to-warm single channel control 35K to 22K	<b>50DEG</b> - 50° Wide flood <b>NA</b> - Not applicable	<b>50DEG</b> - 50° Wide flood <b>NA</b> - Not applicable	<b>35STP</b> - 3 Step MacAdam Ellipse		<b>SOLA</b> - Dim-to-warm single channel control 35K to 22K	

\* LSDL or LFDL at light element cannot be combined with SDL, FDL, or CL at baffle. For SOLA, one of the following lenses must be specified: SDL, FDL, LSDL, or LFDL.

VOLTAGE	DIRECT WATTAGE Specify NA for Indirect		INDIRECT WATTAGE Specify NA for Direct		DIMMING	
<b>120V</b> - 120V <b>277V</b> - 277V <b>UNV</b> - 120V-277V	<b>WALL</b>	<b>WALL ASY.</b>	<b>WALL</b>	<b>WALL ASY.</b>	<b>INTEGRAL</b>	<b>REMOTE</b> <sup>6</sup>
	<b>10W</b> - 10 W output, up to 1132 lm <b>14W</b> - 14 W output, up to 1545 lm	<b>10W</b> - 10 W output, up to 1029 lm <b>14W</b> - 14 W output, up to 1406 lm	<b>10W</b> - 10 W output, up to 1132 lm <b>14W</b> - 14 W output, up to 1545 lm	<b>10W</b> - 10 W output, up to 1029 lm <b>14W</b> - 14 W output, up to 1406 lm	<b>D1</b> - 1% 0-10V <b>ELV</b> <sup>5</sup> - ELV 120V <b>TRI</b> <sup>5</sup> - TRIAC 120V  <sup>5</sup> Available with 120V only.	<b>RD1</b> - 1% 0-10V <b>RLEV</b> <sup>7</sup> - ELV 120V <b>RTRI</b> <sup>7</sup> - TRIAC 120V <b>RLDE1</b> <sup>8</sup> - Lutron HI-Lume 1% Eco  <sup>6</sup> A remote driver box is provided, see page 5 for details. <sup>7</sup> Available with 120V only. <sup>8</sup> On-site commissioning is required.
	<b>NA</b> - Not applicable		<b>NA</b> - Not applicable			
	<b>12W</b> - 12 W output, up to 725 lm	<b>12W</b> - 12 W output, up to 625 lm	<b>12W</b> - 12 W output, up to 725 lm	<b>12W</b> - 12 W output, up to 625 lm	<b>SD1</b> - Single 0-10V input <b>SELV</b> <sup>5</sup> - ELV 120V <b>STRI</b> <sup>5</sup> - TRIAC 120V	<b>RSD1</b> - Single 0-10V input <b>RSELV</b> <sup>7</sup> - ELV 120V <b>RSTRI</b> <sup>7</sup> - TRIAC 120V
	<b>NA</b> - Not applicable		<b>NA</b> - Not applicable			

ELECTRICAL	MOUNTING TYPE	MOUNTING FINISH <sup>9</sup>	OPTION
<b>1C</b>			<b>JA8</b>
<b>1C</b> - 1 circuit	<b>FLS</b> - Flat square canopy, 4" octagonal junction box <b>DM</b> - Direct mount	<b>FTMW</b> - Textured matte white <b>FTMB</b> - Textured matte black <b>FCHP</b> - Champagne <b>CF#</b> - Custom finish, specify RAL#  <sup>9</sup> Direct mount finish matches cylinder finish.	<b>JA8</b> - JA8 compliant

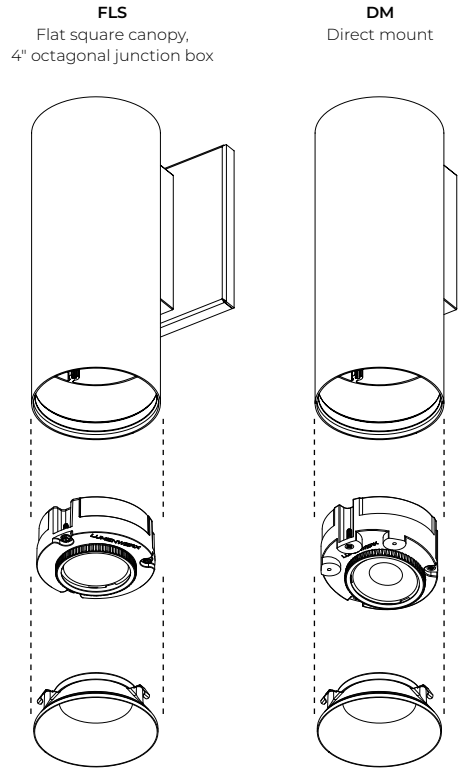


# AERA 3" CYLINDER

LUMENWERX

WALL, WALL ASYMMETRIC  
DIRECT/INDIRECT, DIRECT, INDIRECT

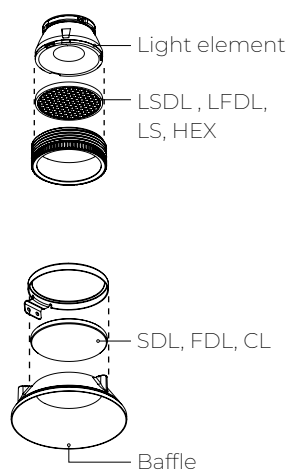
## Overview



**AE3CYW**  
Aera 3"  
Cylinder  
Wall

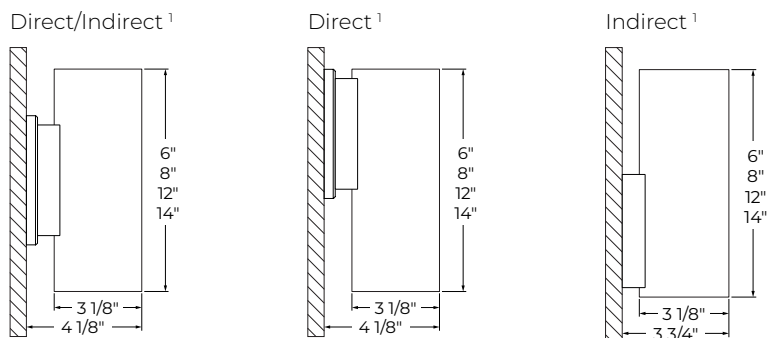
**AE3CYWASY**  
Aera 3"  
Cylinder  
Wall  
Asymmetric

## LENS AND ACCESSORIES



## Dimensions

### CYLINDER



Flat square canopy <sup>2</sup>      Flat square canopy <sup>2</sup>      Direct mount <sup>2</sup>

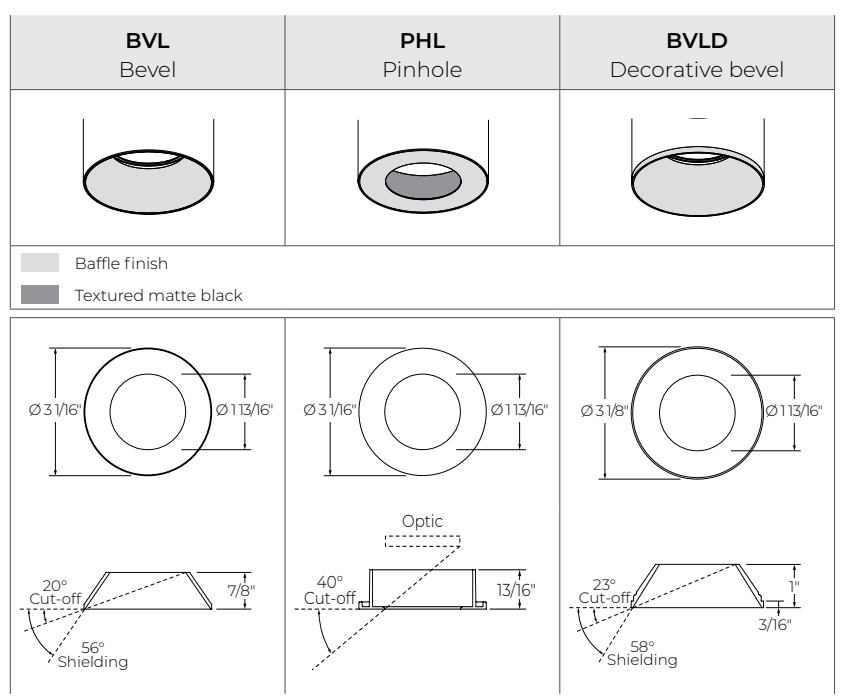
<sup>1</sup> Certain restrictions apply. See page 2 for the height options available with integral and remote.  
<sup>2</sup> Flat square canopy and direct mount options are available with all Direct/Indirect, Direct and Indirect.

### Minimum heights - Cylinder

Size	Distribution	Direct		Asymmetric	
		Integral driver	Remote driver	Integral driver	Remote driver
Ø3"	Direct/Indirect	12"	6"	14"	8"
	Direct or Indirect	6"	6"	8"	6"

\*Consult factory for maximum heights.

## BAFFLE

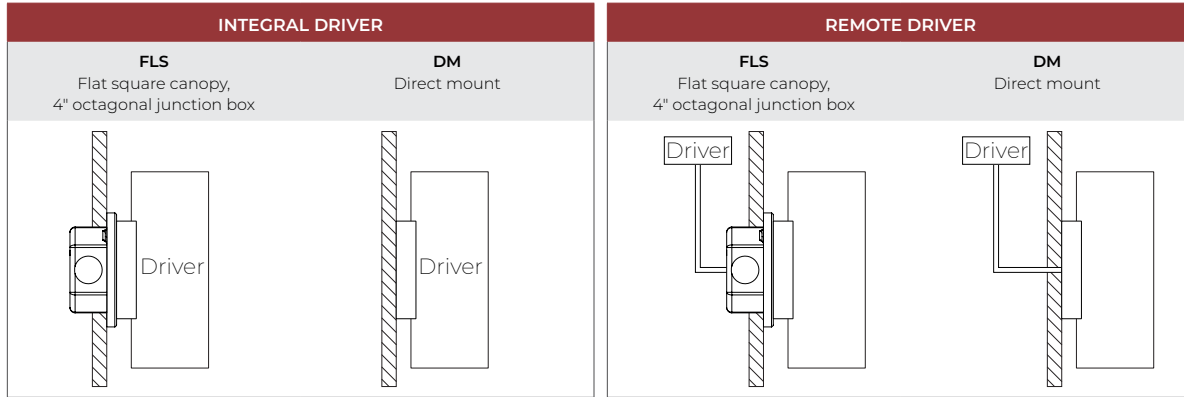


# AERA 3" CYLINDER

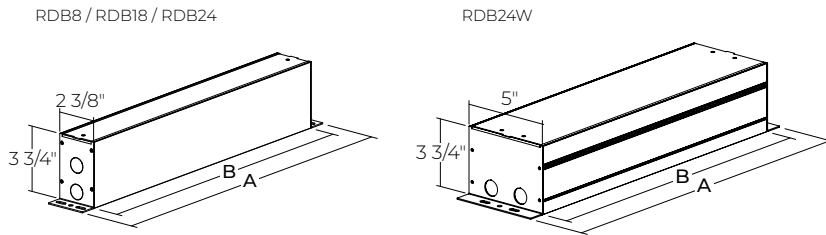
LUMENWERX

WALL, WALL ASYMMETRIC  
DIRECT/INDIRECT, DIRECT, INDIRECT

## Mounting



## REMOTE DRIVER BOX



	RDB8	RDB18	RDB24	RDB24W
<b>A</b>	10"	20"	26"	26"
<b>B</b>	8"	18"	24"	24"
<b>DRIVER</b>	<b>RD1</b> - 1% 0-10V <b>RELV</b> - ELV 120V <b>RTRI</b> - TRIAC 120V  <b>SOLA</b> <b>RSD1</b> - Single 0-10V input <b>RSELV</b> - ELV 120V <b>RSTRI</b> - TRIAC 120V	<b>RLDE1</b> - Lutron Hi-lume 1% Eco <b>RDA</b> - DALI <b>RELD1</b> - eldoLED 1% ECOdrive 0-10V <b>RELD0</b> - eldoLED 0.1% SOLOdrive 0-10V	Emergency battery (+EB) with the following driver options. <b>RD1+EB</b> - 1% 0-10V <b>RELV+EB</b> - ELV 120V <b>RTRI+EB</b> - TRIAC 120V  <b>DUO</b> <b>RDMX</b> - DMX <b>RDDA</b> - DALI DT6 <b>RDDA8</b> - DALI DT8 <b>RDD1</b> - Dual 0-10V input for CCT/intensity <b>RPSQ0</b> - Lutron T-Series 1% tunable white	Emergency battery (+EB) with the following driver options. <b>RLDE1+EB</b> - Lutron Hi-lume 1% Eco <b>RDA+EB</b> - DALI <b>RELD1+EB</b> - eldoLED 1% ECOdrive 0-10V <b>RELD0+EB</b> - eldoLED 0.1% SOLOdrive 0-10V

# AERA 3" CYLINDER

LUMENWERX

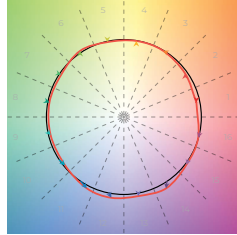
WALL, WALL ASYMMETRIC

DIRECT/INDIRECT, DIRECT, INDIRECT

## Color Quality

### COLOR QUALITY - 3500K

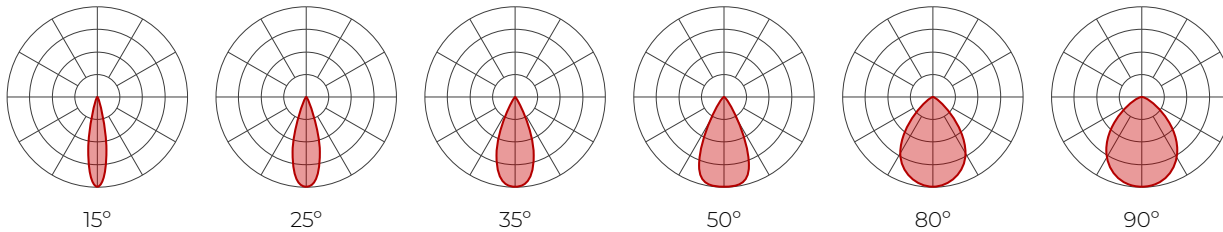
TM-30 R <sub>r</sub>	90
TM-30 R <sub>g</sub>	100
CRI	90
R9	> 50



## Photometrics

Please follow the multiplier tables to ensure correct lumen value. Beams, CCT, baffle styles, baffle colors, lensing and accessories will change the lumen value. Performance values apply to both Direct and Indirect.

### WALL



### Delivered Lumens for Bevel Baffles - At 35K, with SDL lens option

CRI	90 CRI						95 CRI						80 CRI					
	BEAM	15	25	35	50	80	90	15	25	35	50	80	90	15	25	35	50	80
10 W	987	1053	1058	937	843	843	760	811	815	721	649	649	1056	1127	1132	1003	902	902
14 W	1347	1438	1444	1280	1152	1152	1037	1107	1112	986	887	887	1441	1539	1545	1370	1233	1233
20 W	1861	1986	1995	1768	1591	1591	1433	1529	1536	1361	1225	1225	1991	2125	2135	1892	1703	1703

### Efficacy Based on Delivered Lumens

CRI	90 CRI						95 CRI						80 CRI					
	BEAM	15	25	35	50	80	90	15	25	35	50	80	90	15	25	35	50	80
10 W	99	105	106	94	84	84	76	81	81	72	65	65	106	113	113	100	90	90
14 W	96	103	103	91	82	82	74	79	79	70	63	63	103	110	110	98	88	88
20 W	93	99	100	88	80	80	72	76	77	68	61	61	100	106	107	95	85	85

### MULTIPLIERS

CCT	BAFFLE STYLE AND COLOR		LENS * (At baffle)		ACCESSORIES * (At light element)	
2700K	0.9	Bevel	White	1	SDL - Soft diffused lens, Solite	1
3000K	0.95		Black	1	FDL - Frosted lens	0.8
3500K	1	Pinhole	White	0.92	CL - Clear lens	1.1
4000K	1.05		Black	0.92	NOL - No lens	1.1
For SOLA and DUO, please consult factory.		Decorative bevel	White	1	* When more than one lens or accessory is specified, multiply together the value of each lens and/or accessory. e.g. NOL + LSDL + HEX = 1.1 x 1 x 0.86 = 0.946	
			Black	1	LSDL - Soft diffused lens, Solite	1
					LFDL - Frosted lens	0.8
					LS - Linear spread	0.84
					HEX - Hex louver	0.86

### DIRECT/INDIRECT - EFFICACY CALCULATION

For Direct/Indirect performance values, follow the formula.

$$\frac{\left( \begin{array}{c} \text{DIRECT} \\ \text{DELIVERED LM} \end{array} + \begin{array}{c} \text{INDIRECT} \\ \text{DELIVERED LM} \end{array} \right)}{\left( \begin{array}{c} \text{DIRECT} \\ \text{WATTAGE} \end{array} + \begin{array}{c} \text{INDIRECT} \\ \text{WATTAGE} \end{array} \right)} = \text{EFFICACY}$$

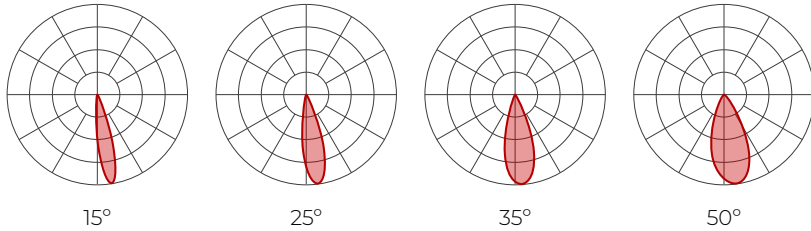
# AERA 3" CYLINDER

**LUMENWERX**

WALL, WALL ASYMMETRIC  
DIRECT/INDIRECT, DIRECT, INDIRECT

Please follow the multiplier tables to ensure correct lumen value. Beams, CCT, baffle styles, baffle colors, lensing and accessories will change the lumen value. Performance values apply to both Direct and Indirect.

## WALL ASYMMETRIC



## Delivered Lumens for Bevel Baffles - At 35K, with SDL lens option

CRI	90 CRI				95 CRI				80 CRI			
	15	25	35	50	15	25	35	50	15	25	35	50
10 W	855	962	952	876	658	741	733	675	914	1029	1018	937
14 W	1167	1314	1300	1197	899	1012	1001	921	1249	1406	1391	1280
20 W	1612	1815	1795	1653	1241	1397	1382	1272	1725	1942	1921	1768

## Efficacy Based on Delivered Lumens

CRI	90 CRI				95 CRI				80 CRI			
	15	25	35	50	15	25	35	50	15	25	35	50
10 W	85	96	95	88	66	74	73	67	91	103	102	94
14 W	83	94	93	85	64	72	71	66	89	100	99	91
20 W	81	91	90	83	62	70	69	64	86	97	96	88

## MULTIPLIERS

CCT		BAFFLE STYLE AND COLOR			LENS * (At baffle)		ACCESSORIES * (At light element)	
2700K	0.9	Bevel	White	1	SDL - Soft diffused lens, Solite	1	LSDL - Soft diffused lens, Solite	1
3000K	0.95		Black	1	FDL - Frosted lens	0.8	LFDL - Frosted lens	0.8
3500K	1	Pinhole	White	0.92	CL - Clear lens	1.1	LS - Linear spread	0.84
4000K	1.05		Black	0.92	NOL - No lens	1.1	HEX - Hex louver	0.86
For SOLA and DUO, please consult factory.		Decorative bevel	White	1	* When more than one lens or accessory is specified, multiply together the value of each lens and/or accessory. e.g. NOL + LSDL + HEX = 1.1 x 1 x 0.86 = 0.946			
			Black	1				

## DIRECT/INDIRECT - EFFICACY CALCULATION

For Direct/Indirect performance values, follow the formula.

$$\frac{\left( \begin{array}{c} \text{DIRECT} \\ \text{DELIVERED LM} \end{array} + \begin{array}{c} \text{INDIRECT} \\ \text{DELIVERED LM} \end{array} \right)}{\left( \begin{array}{c} \text{DIRECT} \\ \text{WATTAGE} \end{array} + \begin{array}{c} \text{INDIRECT} \\ \text{WATTAGE} \end{array} \right)} = \text{EFFICACY}$$

# AERA 3" CYLINDER

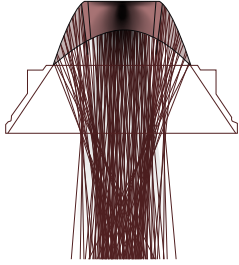
WALL, WALL ASYMMETRIC  
DIRECT/INDIRECT, DIRECT, INDIRECT

# LUMENWERX

## Technical Specifications

### OPTIC

XPoint™ Refraction Technology optics provide precise optical control in a remarkably compact form. Micro optical paths from the chip on board converge and then disperse in precise beam angles, resulting in a crisp and exacting light quality.



### LIGHT SOURCE

Compact COB (Chip-On-Board) LED module, available in 2700K, 3000K, 3500K and 4000K with a choice of 80 CRI, 90 CRI, or 95 CRI, with elevated R9 value for 90 CRI and above. Color consistency is maintained to within 2 SDCM. All LEDs have been tested in accordance with IESNA LM-80-08 and the results have shown L80 lumen maintenance greater than 60,000 hours. Absolute product photometry is measured and presented in accordance with IESNA LM-79, unless otherwise indicated. Optional full spectrum LEDs can be incorporated in the fixture to increase Cyanosis Observation Index (COI) and assist in regulating circadian rhythms.

### CHROMAWERX

#### Chromawerx SOLA

Chromawerx SOLA is single-channel control that dims output while warming the color temperature in a pre-determined relationship. A simple analog control adjusts a specially populated LED array to emulate the effect of dimming a filament source.

#### Chromawerx DUO

Chromawerx DUO offers a two-channel control system which uses analog or digital protocols for synchronous control of both cool (6500K) to warm (2700K) LED arrays - maintaining a CRI above 90. The range of color DUO offers is useful for entraining circadian rhythms, stimulating alertness, and compensating for jet lag among other applications. The Chromawerx drivers are programmed to limit maximum light output and power usage across all color temperatures. When paired with DALI drivers (DDA/DDA8), color tuning follows a linear dimming curve.

### ELECTRICAL

Unless otherwise specified, dimming down to 1%. At maximum driver load: efficiency>84%, PF>0.9, THD<20%.

**Integral:** 0-10V, ELV, TRIAC.

**Remote:** 0-10V, ELV, TRIAC, Lutron Hi-Lume 1% EcoSystem, DALI, eldoLED 0.1% SOLOdrive 0-10V, eldoLED 1% ECOdrive 0-10V, DMX, Lutron T-series (tunable white).

**Emergency Battery Option:** Remotely-installed, long-life, high-temperature, maintenance-free, Bodine Lithium-Ion battery pack with self-test functionality, test switch and charge indicator. IOTA and Fulham options available upon request. Minimum of 90 minutes operation, and recharge time of 24 hours. For fixtures less than 10W, the battery provides 6W of emergency light output. For fixtures 10W and over, the battery provides 10W.

### PoE

Depending on the PoE manufacturer selected, Lumenwerx will install the node in factory as either integral to the luminaire, or as a remote module. Factory programming of the PoE node may or may not enable the following functionalities: lumen package, Duo (tunable white), emergency battery backup, and sensor integration. These must be addressed and evaluated on a case-by-case basis.

### CONSTRUCTION

**Housing:** Extruded aluminum

**Canopy:** Flat and direct

**Arm:** Machined aluminum

**Finish:** Textured matte white, black, and champagne. Custom colors also available (provide RAL #). Specular and semi-specular finishes are also available for Baffle.

**Heat sink:** Die-cast aluminum.

### WEIGHT

Direct/Indirect	Direct or Indirect
6" - 1.8 lbs - 0.8 kg	6" - 1.6 lbs - 0.7 kg
12" - 3 lbs - 1.4 kg	8" - 2 lbs - 0.9 kg
	12" - 2.4 lbs - 1.1 kg



# AERA 3" CYLINDER

LUMENWERX

WALL, WALL ASYMMETRIC  
DIRECT/INDIRECT, DIRECT, INDIRECT

## BAFFLE

Die-cast aluminum

**Baffle style:** Bevel, pinhole, and decorative bevel

## LENS AND ACCESSORIES



Soft diffused lens, Solite



Frosted diffused lens



Clear lens



Linear Spread



Hex Louver

## ENVIRONMENT

Ambient temperature at fixture location shall be within 0°C/32°F - 25°C/77°F, indoor dry or damp as well as outdoor damp use (canopies or marquees).

## CERTIFICATIONS

**ETL** - Rated for Indoor Dry/Damp locations. Conforms to UL Standard 1598 and certified to CAN/CSA Standard C22.2 No. 250.0.

**Title 24 JA8** - California Building Standards Code

## WARRANTY

Lumenwerx provides a five-year limited warranty of electrical and mechanical performance of the luminaires, including the LED boards, drivers, and auxiliary electronics. Lumenwerx will repair or replace defective luminaires or components at our discretion, provided they have been installed and operated in accordance with our specifications. Other limitations apply, please refer to the full warranty on our website.