

# AERA 3" DOWNLIGHT

## SQUARE RECESSED ADJUSTABLE



Declare.

Bevel Trimless  
Drywall Mudplate



Bevel  
Flanged Trim



Aera recessed downlights are true to size, encased in minimalist housing, and suitable additions to any interior space where outstanding optical performance, maximal eye comfort, and/or an industry-leading wall wash are required.

### Ceiling Types



Drywall



Millwork



Acoustic Tile

### Installation Types

New Construction (Type Non-IC, Type-IC, CCEA)  
Remodel (Type Non-IC)

### Plenum Clearance

As low as 5 1/2"

### Beam Angles



Low UGR < 10 in 15°, 25°, 35°, and 50° beams / Max. tilt 35°

### Performance

LUMEN OUTPUT <sup>1</sup>	WATTS	EFFICACY
1024 lm	10 W	102 lm/W
1352 lm	14 W	97 lm/W
1922 lm	20 W	96 lm/W

<sup>1</sup> Lumen packages are assuming 3500K, 80 CRI, 35° beam, with SDL lens option.

### Light Source

Static White  
Full Spectrum  
SOLA - Dim-to-Warm  
DUO - Tunable White



### COB

2 Step Color Binning  
Up to 95 CRI

### Drivers

1%, 0.1% Dimming Available  
0-10V, TRIAC, ELV, Lutron EcoSystem, DALI, DMX  
Emergency Battery (optional)

### Aera Family (Refer to other spec sheets) Downlight



2" / 3" / 4"  
Round / Square  
Recessed Adjustable



2" / 3" / 4"  
Round / Square  
Recessed



2" / 3" / 4"  
Round / Square  
Recessed Wall Wash

### Multi-aperture



2" / 3" / 4"  
Round / Square  
Recessed Adjustable



2" / 3" / 4"  
Round / Square  
Recessed



2" / 3" / 4"  
Round / Square  
Recessed Wall Wash

### Cylinder



2" / 3" / 4" / 5"  
4" Seal  
Pendant  
Pendant Asymmetric  
Pendant Wall Wash



2" / 3" / 4" / 5"  
4" Seal  
Wall  
Wall Asymmetric



2" / 3" / 4" / 5"  
4" Seal  
Surface  
Surface Asymmetric  
Surface Wall Wash

www.lumenwerx.com  
T (514) 225-4304

© Lumenwerx, ULC. All rights reserved.



Lumenwerx reserves the right to modify product specifications without notification.

AERA3-DOWNLIGHT-SQUARE-RECESSED-ADJUSTABLE-SPEC-REV6 April 22, 2024



# AERA 3" DOWNLIGHT

## SQUARE RECESSED ADJUSTABLE



Project: \_\_\_\_\_

Type: \_\_\_\_\_

### Order Guide

#### 1 - Housing (Example: AE3SRA-TRM-SW-OF-ASB-120V-10W-D1-NA)



For an ENERGY STAR® certified fixture, see page 3.  
For a Title 24 JA8 compliant fixture, see page 4.

LUMINAIRE ID <sup>1</sup>	TRIM STYLE	LIGHT SOURCE	INSTALLATION TYPE	MOUNTING OPTION <sup>4</sup>
<b>AE3SRA</b>				
<b>AE3SRA</b> - Aera 3" Square Recessed Adjustable  <sup>1</sup> Recessed (fixed) and Recessed Wall Wash also available. Consult other spec sheets.	<b>TRM</b> - Flanged trim <b>TLMW</b> - Trimless drywall mudplate <b>TLMW</b> <sup>2</sup> - Trimless millwork  <sup>2</sup> For remodel (RM) installation type, TLMW adapter must be installed from above the ceiling or before ceiling is installed.	<b>SW</b> - Static white <b>FS</b> - Full spectrum  <b>SOLA</b> - Dim-to-warm single channel control <b>DUO</b> - Tunable white 2-channel control	<b>OF</b> - Open Frame Type Non-IC <b>IC</b> <sup>3</sup> - Type-IC <b>RM</b> - Remodel Type Non-IC <b>CP</b> <sup>3</sup> - Chicago Plenum Type-IC (CCEA) <b>AT</b> <sup>3</sup> - Airtight Type-IC  <sup>3</sup> Not available with 19 W output and higher.	<b>ASB</b> <sup>5</sup> - Adjustable standard bar hangers <b>FMB</b> <sup>5</sup> - Flush mount bars <b>ACB</b> <sup>5</sup> - Adjustable commercial bar hangers <b>AHC</b> <sup>5</sup> - Adjustable hat channel bars <b>NA</b> - None  <sup>4</sup> See page 6 for more details. <sup>5</sup> Not available with RM installation type.
VOLTAGE	WATTAGE <sup>7</sup>	DIMMING <sup>10</sup>	OPTION <sup>19</sup>	
			<b>NA</b>	
<b>120V</b> - 120V <b>277V</b> - 277V <b>UNV</b> - 120V-277V <b>347V</b> <sup>6</sup> - 347V  <sup>6</sup> Available with RD1 driver only. Please consult factory.	<b>10W</b> - 10 W output, up to 1024 lm <b>14W</b> <sup>8</sup> - 14 W output, up to 1352 lm <b>20W</b> <sup>8,9</sup> - 20 W output, up to 1922 lm  <sup>7</sup> Lumen outputs are reduced with full spectrum, consult factory. <sup>8</sup> Not available with full spectrum. <sup>9</sup> Not available with IC/CP/AT.	<b>INTEGRAL</b> <b>DI</b> - 1% 0-10V <b>ELV</b> <sup>11</sup> - ELV 120V <b>TRI</b> <sup>11</sup> - TRIAC 120V <b>DA</b> <sup>12,13</sup> - DALI <b>ELD1</b> <sup>12</sup> - eldoLED 1% ECOdrive 0-10V <b>ELDO</b> <sup>12</sup> - eldoLED 0.1% SOLOdrive 0-10V <b>PEQO</b> <sup>13,14</sup> - Lutron Hi-lume Premier 0.1% EcoSystem  <sup>10</sup> PoE (Power-over-Ethernet) compatible. Consult factory for details. <sup>11</sup> Available with 120V only. <sup>12</sup> Not available with RM installation type. <sup>13</sup> On-site commissioning is required. <sup>14</sup> Available with OF installation type only.	<b>REMOTE</b> <sup>15</sup> <b>RD1</b> - 1% 0-10V <b>RELV</b> <sup>16</sup> - ELV 120V <b>RTRI</b> <sup>16</sup> - TRIAC 120V <b>RLDE1</b> <sup>17</sup> - Lutron Hi-lume 1% Eco <b>RDA</b> <sup>17</sup> - DALI <b>RELD1</b> - eldoLED 1% ECOdrive 0-10V <b>RELD0</b> - eldoLED 0.1% SOLOdrive 0-10V <b>RPEQO</b> <sup>17</sup> - Lutron Hi-lume Premier 0.1% EcoSystem <b>+EB</b> <sup>18</sup> - Emergency battery  <sup>15</sup> A remote driver box is provided, see page 5 for details. <sup>16</sup> Available with 120V only. <sup>17</sup> On-site commissioning is required. <sup>18</sup> For emergency battery, code will be like the following example: RD1+EB	<b>NA</b> - None  <sup>19</sup> To specify an ENERGY STAR certified fixture, see page 3.  To specify a JA8 compliant fixture, see page 4.
	<b>SOLA</b> <sup>9</sup> <b>18W</b> - 18 W output, up to 1205 lm  <b>DUO</b> <sup>9</sup> <b>19W</b> - 19 W output, up to 1355 lm	<b>SOLA</b> <b>SD1</b> - Single 0-10V input <b>SELV</b> <sup>11</sup> - ELV 120V <b>STRI</b> <sup>11</sup> - TRIAC 120V	<b>SOLA</b> <b>RSD1</b> - Single 0-10V input <b>RSELV</b> <sup>16</sup> - ELV 120V <b>RSTRI</b> <sup>16</sup> - TRIAC 120V	<b>DUO</b> <b>RDMX</b> <sup>17</sup> - DMX <b>RDDA</b> <sup>17</sup> - DALI DT6 <b>RDDA8</b> <sup>17</sup> - DALI DT8 <b>RDD1</b> - Dual 0-10V input for CCT/intensity <b>RLD2</b> <sup>17</sup> - Lutron DALI-2 digital

#### 2 - Light & Baffle (Example: AE3SRAB-SW-10W-15DEG-2STP-90CRI-27K-LSDL+LS-TRM-CL-FTMW-FTMW-NA)

LUMINAIRE ID	LIGHT SOURCE Specify same as Housing	WATTAGE <sup>20</sup> Specify same as Housing	BEAM	COLOR QUALITY	CRI	COLOR TEMP.
<b>AE3SRAB</b>						
<b>AE3SRAB</b> - Aera 3" Square Recessed Adjustable Bevel	<b>SW</b> - Static white <b>FS</b> - Full spectrum	<b>10W</b> - 10 W output, up to 1024 lm <b>14W</b> <sup>21</sup> - 14 W output, up to 1352 lm <b>20W</b> <sup>21,22</sup> - 20 W output, up to 1922 lm  <sup>20</sup> Lumen outputs are reduced with full spectrum, consult factory. <sup>21</sup> Not available with full spectrum. <sup>22</sup> Not available with IC/CP/AT.	<b>15DEG</b> - 15° Narrow spot <b>25DEG</b> - 25° Spot <b>35DEG</b> - 35° Narrow flood <b>50DEG</b> - 50° Wide flood <b>80DEG</b> - 80° Very wide flood <b>90DEG</b> - 90° Open flood	<b>2STP</b> <sup>23</sup> - 2 Step MacAdam Ellipse <b>3STP</b> - 3 Step MacAdam Ellipse  <sup>23</sup> Not available with full spectrum.	<b>90CRI</b> <sup>24</sup> - 90 CRI <b>95CRI</b> - 95 CRI <b>80CRI</b> <sup>24</sup> - 80 CRI  <sup>24</sup> Not available with full spectrum.	<b>27K</b> - 2700K <b>30K</b> - 3000K <b>35K</b> - 3500K <b>40K</b> - 4000K  <b>SOLA</b> <b>30K18K</b> - 3000K to 1800K <b>27K18K</b> - 2700K to 1800K  <b>DUO</b> <b>65K27K</b> - 6500K to 2700K <b>50K27K</b> - 5000K to 2700K
	<b>SOLA</b> - Dim-to-warm single channel control <b>DUO</b> - Tunable white 2-channel control	<b>SOLA</b> <sup>22</sup> <b>18W</b> - 18 W output, up to 1205 lm  <b>DUO</b> <sup>22</sup> <b>19W</b> - 19 W output, up to 1355 lm	<b>25DEG</b> - 25° Spot <b>35DEG</b> - 35° Narrow flood <b>60DEG</b> - 60° Wide flood <b>80DEG</b> - 80° Very wide flood <b>90DEG</b> - 90° Open flood	<b>3STP</b> - 3 Step MacAdam Ellipse	<b>90CRI</b> - 90 CRI	<b>DUO</b> <b>65K27K</b> - 6500K to 2700K <b>50K27K</b> - 5000K to 2700K
ACCESSORIES <sup>*</sup> See page 7 for details	TRIM STYLE Specify same as Housing	LENS <sup>*</sup> See page 7 for details	BAFFLE FINISH	TRIM FLANGE FINISH Specify NA for Bevel Trimless	OPTION <sup>29</sup>	
<b>At light element</b> <sup>25,26</sup> (choose up to 2 options for SW/FS and 1 option for SOLA/DUO)  <b>LSDL</b> - Soft diffused lens, Solite <b>LFDL</b> - Frosted diffused lens <b>LS</b> - Linear spread <b>HEX</b> <sup>27</sup> - Hex louver <b>NA</b> - None  <sup>25</sup> Separate codes with a "+" if more than one is specified, e.g. LSDL+LS. <sup>26</sup> LSDL and LFDL cannot be combined. LS and HEX cannot be combined. <sup>27</sup> Not available with 80°/90° beam options.	<b>TRM</b> - Flanged trim <b>TLMW</b> - Trimless drywall mudplate <b>TLMW</b> <sup>28</sup> - Trimless millwork  <sup>28</sup> For remodel (RM) installation type, TLMW adapter must be installed from above the ceiling or before ceiling is installed.	<b>At baffle</b> (choose 1 option)  <b>SDL</b> - Soft diffused lens, Solite <b>FDL</b> - Frosted diffused lens <b>CL</b> - Clear lens <b>NOL</b> - No lens	<b>FTMW</b> - Textured matte white <b>FTMB</b> - Textured matte black <b>FTMB</b> - Textured matte black <b>FSPC</b> - Specular <b>FSSPC</b> - Semi-specular <b>FCHP</b> - Champagne <b>CF#</b> - Custom finish, specify RAL# <b>NA</b> - Not applicable	<b>FTMW</b> - Textured matte white <b>FTMB</b> - Textured matte black <b>FSPC</b> - Specular <b>FSSPC</b> - Semi-specular <b>FCHP</b> - Champagne <b>CF#</b> - Custom finish, specify RAL# <b>NA</b> - Not applicable	<b>WET</b> <sup>30</sup> - Wet location <b>NA</b> - None  <sup>29</sup> To specify an ENERGY STAR certified fixture, see page 3. To specify a JA8 compliant fixture, see page 4. <sup>30</sup> Must be specified with the flanged trim (TRM), and either SDL, FDL, or CL lens options.	

\* LSDL or LFDL at light element cannot be combined with SDL or FDL at baffle.



# AERA 3" DOWNLIGHT

## SQUARE RECESSED ADJUSTABLE

### ENERGY STAR



Project: \_\_\_\_\_

Type: \_\_\_\_\_

## Order Guide



### 1 - Housing (Example: AE3SRA-TRM-SW-OF-ASB-120V-10W-D1-ES)

LUMINAIRE ID <sup>1</sup>	TRIM STYLE	LIGHT SOURCE	INSTALLATION TYPE	MOUNTING OPTION <sup>2</sup>
<b>AE3SRA</b>		<b>SW</b>		
<b>AE3SRA</b> - Aera 3" Square Recessed Adjustable  <sup>1</sup> Recessed (fixed) and Recessed Wall Wash also available. Consult other spec sheets.	<b>TRM</b> - Flanged trim <b>TLMP</b> - Trimless drywall mudplate <b>TLMW</b> - Trimless millwork	<b>SW</b> - Static white	<b>OF</b> - Open Frame Type Non-IC <b>IC</b> - Type-IC <b>RM</b> - Remodel Type Non-IC <b>CP</b> - Chicago Plenum Type-IC (CCEA) <b>AT</b> - Airtight Type-IC	<b>ASB</b> - Adjustable standard bar hangers <b>FMB</b> - Flush mount bars <b>ACB</b> - Adjustable commercial bar hangers <b>AHC</b> - Adjustable hat channel bars <b>NA</b> - None  <sup>2</sup> See page 6 for more details.

VOLTAGE	WATTAGE	DIMMING	OPTION
			<b>ES</b>
<b>120V</b> - 120V <b>277V</b> - 277V <b>UNV</b> - 120V-277V	<b>10W</b> - 10 W output, up to 1024 lm <b>14W</b> - 14 W output, up to 1352 lm	<b>INTEGRAL</b>  <b>D1</b> - 1% 0-10V <b>ELV<sup>3</sup></b> - ELV 120V <b>TRI<sup>3</sup></b> - TRIAC 120V  <sup>3</sup> Available with 120V only.	<b>REMOTE<sup>4</sup></b>  <b>RD1</b> - 1% 0-10V <b>RELV<sup>5</sup></b> - ELV 120V <b>RTRI<sup>5</sup></b> - TRIAC 120V <b>RLDEI<sup>6</sup></b> - Lutron Hi-Lume 1% Eco  <sup>4</sup> A remote driver box is provided, see page 5 for details. <sup>5</sup> Available with 120V only. <sup>6</sup> On-site commissioning is required.
			<b>ES</b> - ENERGY STAR

### 2 - Light & Baffle (Example: AE3SRAB-SW-10W-15DEG-2STP-90CRI-27K-NA-TRM-SDL-FTMW-FTMW-ES)

LUMINAIRE ID	LIGHT SOURCE Specify same as Housing	WATTAGE Specify same as Housing	BEAM	COLOR QUALITY	CRI	COLOR TEMP.
<b>AE3SRAB</b>	<b>SW</b>			<b>2STP</b>		
<b>AE3SRAB</b> - Aera 3" Square Recessed Adjustable Bevel	<b>SW</b> - Static white	<b>10W</b> - 10 W output, up to 1024 lm <b>14W</b> - 14 W output, up to 1352 lm	<b>15DEG</b> - 15° Narrow spot <b>25DEG</b> - 25° Spot <b>35DEG</b> - 35° Narrow flood <b>50DEG</b> - 50° Wide flood	<b>2STP</b> - 2 Step MacAdam Ellipse	<b>90CRI</b> - 90 CRI <b>80CRI</b> - 80 CRI	<b>27K</b> - 2700K <b>30K</b> - 3000K <b>35K</b> - 3500K <b>40K</b> - 4000K

ACCESSORY	TRIM STYLE Specify same as Housing	LENS See page 7 for details	BAFFLE FINISH	TRIM FLANGE FINISH Specify NA for Bevel Trimless	OPTIONS
<b>NA</b>					<b>ES</b>
<b>At light element</b>  <b>NA</b> - Not applicable	<b>TRM</b> - Flanged trim <b>TLMP</b> - Trimless drywall mudplate <b>TLMW</b> - Trimless millwork	<b>At baffle</b>  <b>SDL</b> - Soft diffused lens, Solite <b>FDL</b> - Frosted diffused lens <b>CL</b> - Clear lens <b>NOL</b> - No lens	<b>FTMW</b> - Textured matte white <b>FTMB</b> - Textured matte black <b>FSPC</b> - Specular <b>FSSPC</b> - Semi-specular <b>FCHP</b> - Champagne <b>CF#</b> - Custom finish, specify RAL#	<b>FTMW</b> - Textured matte white <b>FTMB</b> - Textured matte black <b>FSPC</b> - Specular <b>FSSPC</b> - Semi-specular <b>FCHP</b> - Champagne <b>CF#</b> - Custom finish, specify RAL# <b>NA</b> - Not applicable	<b>ES</b> - ENERGY STAR <b>WET<sup>7,8</sup></b> - Wet location  <sup>7</sup> Must be specified with the flanged trim (TRM), and either SDL, FDL, or CL lens options. <sup>8</sup> To specify the WET option, the code will be ES+WET.

# AERA 3" DOWNLIGHT

SQUARE RECESSED ADJUSTABLE

Title 24 JA8

Order Guide



Project: \_\_\_\_\_

Type: \_\_\_\_\_



## 1 - Housing (Example: AE3SRA-TRM-SW-AT-ASB-120V-10W-D1-JA8)

LUMINAIRE ID <sup>1</sup>	TRIM STYLE	LIGHT SOURCE	INSTALLATION TYPE	MOUNTING OPTION <sup>2</sup>
<b>AE3SRA</b>			<b>AT</b>	
<b>AE3SRA</b> - Aera 3" Square Recessed Adjustable  <sup>1</sup> Recessed (fixed) and Recessed Wall Wash also available. Consult other spec sheets.	<b>TRM</b> - Flanged trim <b>TLMP</b> - Trimless drywall mudplate <b>TLMW</b> - Trimless millwork	<b>SW</b> - Static white  <b>SOLA</b> - Dim-to-warm single channel control	<b>AT</b> - Airtight Type-IC	<b>ASB</b> - Adjustable standard bar hangers <b>FMB</b> - Flush mount bars <b>ACB</b> - Adjustable commercial bar hangers <b>AHC</b> - Adjustable hat channel bars <b>NA</b> - None  <sup>2</sup> See page 6 for more details.

VOLTAGE	WATTAGE	DIMMING	OPTION
			<b>JA8</b>
<b>120V</b> - 120V <b>277V</b> - 277V <b>UNV</b> - 120V-277V	<b>10W</b> - 10 W output, up to 1024 lm <b>14W</b> - 14 W output, up to 1352 lm	<b>INTEGRAL</b>  <b>D1</b> - 1% 0-10V <b>ELV</b> <sup>3</sup> - ELV 120V <b>TRI</b> <sup>3</sup> - TRIAC 120V  <sup>3</sup> Available with 120V only.	<b>REMOTE</b> <sup>4</sup>  <b>RD1</b> - 1% 0-10V <b>RELV</b> <sup>5</sup> - ELV 120V <b>RTRI</b> <sup>5</sup> - TRIAC 120V <b>RLDEI</b> <sup>6</sup> - Lutron Hi-Lume 1% Eco  <sup>4</sup> A remote driver box is provided, see page 5 for details. <sup>5</sup> Available with 120V only. <sup>6</sup> On-site commissioning is required.
	<b>12W</b> - 12 W output, up to 625 lm	<b>SD1</b> - Single 0-10V input <b>SELV</b> <sup>3</sup> - ELV 120V <b>STRI</b> <sup>3</sup> - TRIAC 120V	<b>RSD1</b> - Single 0-10V input <b>RSELV</b> <sup>5</sup> - ELV 120V <b>RSTRI</b> <sup>5</sup> - TRIAC 120V
			<b>JA8</b> - JA8 compliant

## 2 - Light & Baffle (Example: AE3SRAB-SW-10W-15DEG-2STP-90CRI-27K-NA-TRM-SDL-FTMW-FTMW-JA8+WET)

LUMINAIRE ID	LIGHT SOURCE Specify same as Housing	WATTAGE Specify same as Housing	BEAM	COLOR QUALITY	CRI	COLOR TEMP.
<b>AE3SRAB</b>					<b>90CRI</b>	
<b>AE3SRAB</b> - Aera 3" Square Recessed Adjustable Bevel	<b>SW</b> - Static white	<b>10W</b> - 10 W output, up to 1024 lm <b>14W</b> - 14 W output, up to 1352 lm	<b>15DEG</b> - 15° Narrow spot <b>25DEG</b> - 25° Spot <b>35DEG</b> - 35° Narrow flood <b>50DEG</b> - 50° Wide flood <b>80DEG</b> - 80° Very wide flood <b>90DEG</b> - 90° Open flood	<b>2STP</b> - 2 Step MacAdam Ellipse <b>3STP</b> - 3 Step MacAdam Ellipse	<b>90CRI</b> - 90 CRI	<b>27K</b> - 2700K <b>30K</b> - 3000K <b>35K</b> - 3500K <b>40K</b> - 4000K
	<b>SOLA</b> - Dim-to-warm single channel control	<b>12W</b> - 12 W output, up to 625 lm	<b>50DEG</b> - 50° Wide flood	<b>3STP</b> - 3 Step MacAdam Ellipse		<b>SOLA</b> <sup>7</sup> - Dim-to-warm single channel control  <sup>7</sup> 3500K to 2200K

ACCESSORY * See page 7 for details	TRIM STYLE Specify same as Housing	LENS * See page 7 for details	BAFFLE FINISH	TRIM FLANGE FINISH Specify NA for Bevel Trimless	OPTIONS
					<b>JA8</b>
<b>At light element</b>  <b>LSDL</b> - Soft diffused lens, Solite <b>LFDL</b> - Frosted diffused lens <b>NA</b> - None	<b>TRM</b> - Flanged trim <b>TLMP</b> - Trimless drywall mudplate <b>TLMW</b> - Trimless millwork	<b>At baffle</b>  <b>SDL</b> - Soft diffused lens, Solite <b>FDL</b> - Frosted diffused lens <b>CL</b> - Clear lens <b>NOL</b> - No lens	<b>FTMW</b> - Textured matte white <b>FTMB</b> - Textured matte black <b>FSPC</b> - Specular <b>FSSPC</b> - Semi-specular <b>FCHP</b> - Champagne <b>CF#</b> - Custom finish, specify RAL#	<b>FTMW</b> - Textured matte white <b>FTMB</b> - Textured matte black <b>FSPC</b> - Specular <b>FSSPC</b> - Semi-specular <b>FCHP</b> - Champagne <b>CF#</b> - Custom finish, specify RAL# <b>NA</b> - Not applicable	<b>JA8</b> - JA8 compliant <b>WET</b> <sup>8,9</sup> - Wet location  <sup>8</sup> Must be specified with the flanged trim (TRM), and either SDL, FDL, or CL lens options. <sup>9</sup> To specify the WET option, the code will be JA8+WET.

\* LSDL or LFDL at light element cannot be combined with SDL or FDL at baffle. For SOLA, one of the following lenses must be specified: SDL, FDL, LSDL, or LFDL.



# AERA 3" DOWNLIGHT

## SQUARE RECESSED ADJUSTABLE



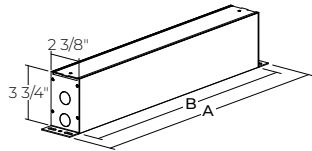
### Housing

INSTALLATION TYPES		
<b>OF</b> - Open Frame Type Non-IC	<b>IC</b> - Type-IC	<b>CP</b> - Chicago Plenum Type-IC (CCEA) <b>AT</b> - Airtight Type-IC
<b>RM</b> - Remodel Type Non-IC		
Integral	Remote	

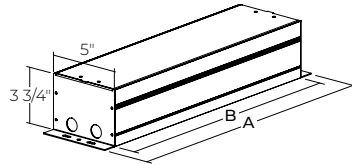
- For height dimension C, see the PLENUM CLEARANCE & CUT-OUT DIMENSIONS table below.  
 - For OF, IC, CP, and AT installation types with remote dimming, a remote driver box is provided.

### REMOTE DRIVER BOX

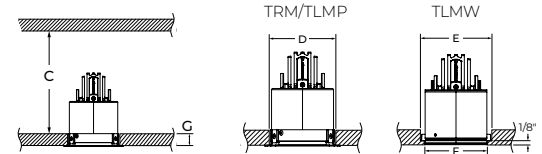
RDB8 / RDB18 / RDB24



RDB24W



### PLENUM CLEARANCE & CUT-OUT DIMENSIONS



	RDB8	RDB18	RDB24	RDB24W
<b>A</b>	10"	20"	26"	26"
<b>B</b>	8"	18"	24"	24"
<b>DRIVER</b>	<b>RD1</b> - 1% 0-10V <b>RELV</b> - ELV 120V <b>RTRI</b> - TRIAC 120V <b>RPEQ0</b> - Lutron Hi-lume Premier 0.1% EcoSystem  <b>SOLA</b> <b>RSDI</b> - Single 0-10V input <b>RSELV</b> - ELV 120V <b>RSTRI</b> - TRIAC 120V	<b>RLDE1</b> - Lutron Hi-lume 1% Eco <b>RDA</b> - DALI <b>RELD1</b> - eldoLED 1% ECOdrive 0-10V <b>RELD0</b> - eldoLED 0.1% SOLOdrive 0-10V	Emergency battery (+EB) with the following driver options. <b>RD1+EB</b> - 1% 0-10V <b>RELV+EB</b> - ELV 120V <b>RTRI+EB</b> - TRIAC 120V  <b>DUO</b> <b>RDMX</b> - DMX <b>RDDA</b> - DALI DT6 <b>RDDA8</b> - DALI DT8 <b>RDD1</b> - Dual 0-10V input for CCT/intensity <b>RLD2</b> - Lutron DALI-2 digital	Emergency battery (+EB) with the following driver options. <b>RLDE1+EB</b> - Lutron Hi-lume 1% Eco <b>RDA+EB</b> - DALI <b>RELD1+EB</b> - eldoLED 1% ECOdrive 0-10V <b>RELD0+EB</b> - eldoLED 0.1% SOLOdrive 0-10V

PLENUM CLEARANCE HEIGHT			
REMOTE & INTEGRAL			
	D1/ELV/TRI	LDE1/DA/ELD1/ELD0/PEQ0	
<b>C</b>	<b>OF</b>	5 1/2"	6"
	<b>IC</b>		6 3/8"
	<b>CP/AT</b>		6 7/8"
	<b>RM</b>	5 1/2"	NA
CUT-OUT DIMENSIONS			
<b>D</b>	<b>TRM/TLMP</b>	3 1/2" x 3 1/2"	
<b>E</b>	<b>TLMW</b>	3 1/2" x 3 1/2"	
<b>F</b>		3 1/16" x 3 1/16" with 1/8" lip	
MAXIMUM CEILING THICKNESS			
<b>G</b>	<b>TRM/TLMP</b>	1 1/2"	
	<b>TLMW</b>	5/8"	

# AERA 3" DOWNLIGHT

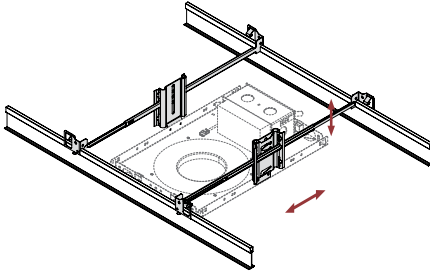
## SQUARE RECESSED ADJUSTABLE



### Housing

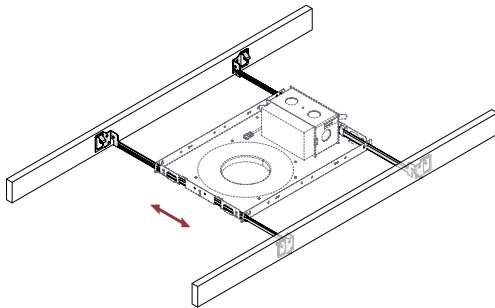
#### MOUNTING OPTIONS

##### ASB - Adjustable Standard Bar Hangers



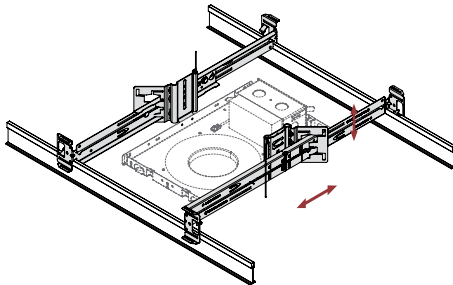
Adjustable Standard Bar hangers can be used in both commercial and residential applications and are adjustable to various heights in both Grid Ceiling and Drywall mounting. ASB hangers are less rigid and versatile than ACB hangers.

##### FMB - Flush Mount Bars



Flush Mount Bars are best used in residential applications, fitting snug to the surface and suitable for Wood, Metal, and Drywall mounting. The flush mounted bars are static and can't be adjusted.

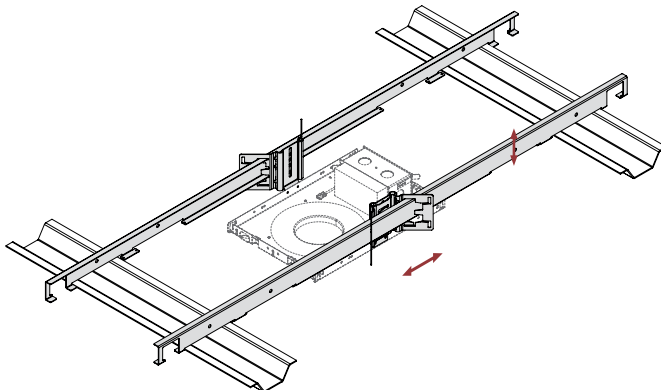
##### ACB - Adjustable Commercial Bar Hangers



Adjustable Commercial Bar hangers can be used in both commercial and residential applications and are by far the most versatile mounting bar we offer with its adjustability to various heights. ACB hangers are suitable for Grid Ceiling, Drywall, Metal, Wood and Frame mounting.

- Extremely rigid
- Fits into C-Channel notches in a Butterfly Bracket

##### AHC - Adjustable Hat Channel Bars



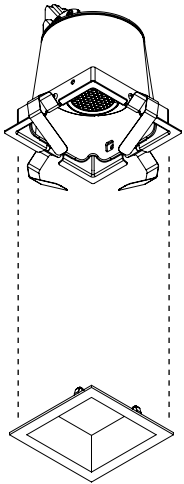
Adjustable Hat Channel bars can be used in both commercial and residential applications and come with a butterfly clip to adjust to various heights. AHC bars can be hung downward by 90 degrees in vertical position, and once wired, can be shifted onto the horizontal mounting plane. AHC bars are suitable for both Drywall and wood ceiling applications.

# AERA 3" DOWNLIGHT

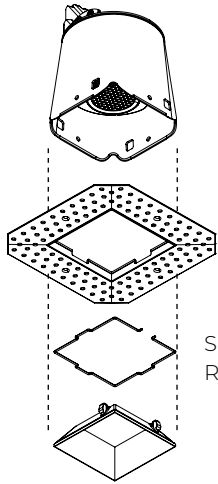
## SQUARE RECESSED ADJUSTABLE



### Light & Baffle



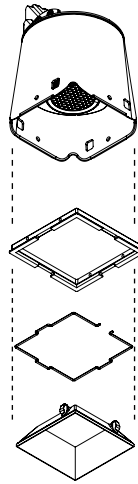
Flanged  
Trim



Trimless  
Drywall  
Mudplate

Mudplate  
OD - 5 7/8" x 5 7/8"

Spring  
Ring

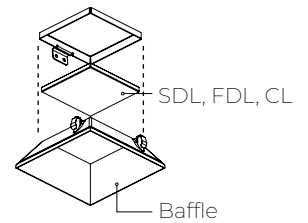
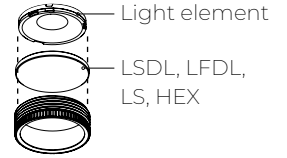


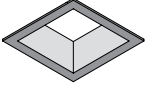
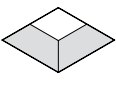
Trimless  
Millwork

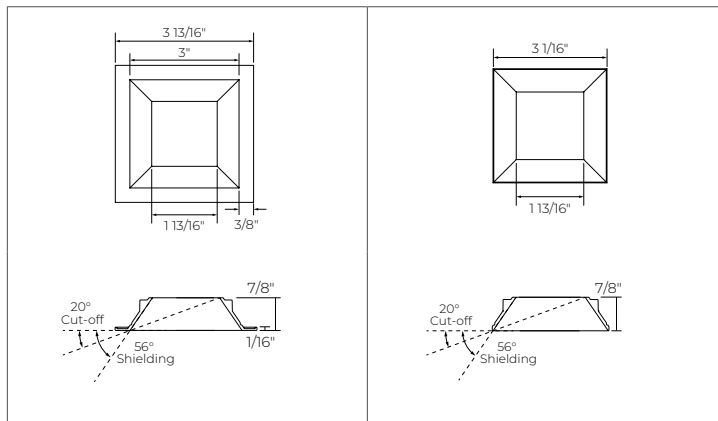
Millwork  
Adapter

Spring  
Ring

### LENS AND ACCESSORIES



Bevel	
<b>TRM</b> Flanged Trim	<b>TLMP/TLMW</b> Trimless Drywall Mudplate /Trimless Millwork
	
<div style="display: flex; justify-content: space-between;"> <span> Baffle finish</span> <span> Trim flange finish</span> </div>	



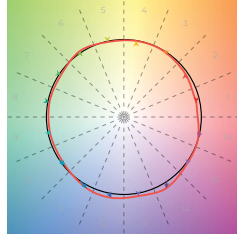
# AERA 3" DOWNLIGHT

## SQUARE RECESSED ADJUSTABLE



### Color Quality

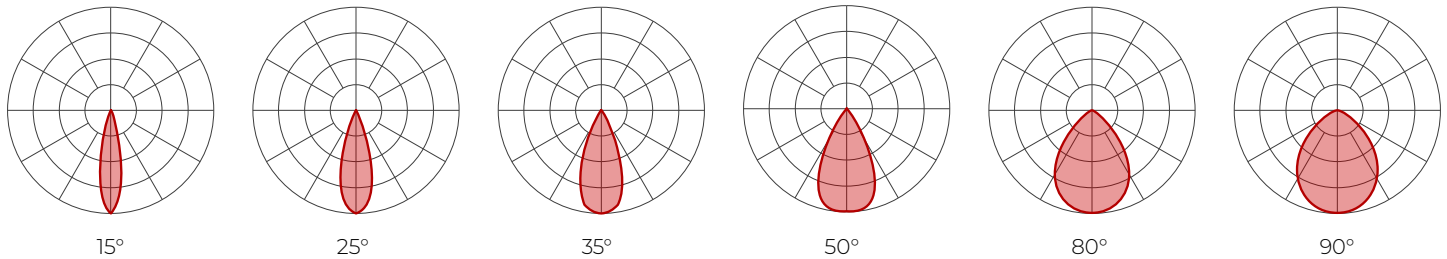
COLOR QUALITY - 3500K	
TM-30 R <sub>r</sub>	90
TM-30 R <sub>g</sub>	100
CRI	90
R9	> 50



### Photometrics

#### STATIC WHITE

Values calculated based on 3500K, bevel baffle, and SDL lens option.



#### Delivered lumens

CRI	90 CRI						95 CRI						80 CRI					
	15°	25°	35°	50°	80°	90°	15°	25°	35°	50°	80°	90°	15°	25°	35°	50°	80°	90°
10 W	893	953	957	848	763	763	688	734	737	653	588	588	956	1020	1024	907	817	817
14 W	1179	1259	1264	1120	1008	1008	908	969	973	862	776	776	1262	1347	1352	1198	1079	1079
20 W	1675	1787	1796	1591	1432	1432	1290	1376	1382	1225	1103	1103	1792	1913	1922	1703	1533	1533

#### Efficacy

CRI	90 CRI						95 CRI						80 CRI					
	15°	25°	35°	50°	80°	90°	15°	25°	35°	50°	80°	90°	15°	25°	35°	50°	80°	90°
10 W	89	95	96	85	76	76	69	73	74	65	59	59	96	102	102	91	82	82
14 W	84	90	90	80	72	72	65	69	70	62	55	55	90	96	97	86	77	77
20 W	84	89	90	80	72	72	64	69	69	61	55	55	90	96	96	85	77	77

#### MULTIPLIERS

Please follow the multiplier tables to ensure correct lumen value. Beams, CCT, baffle styles, baffle colors, lensing and accessories will change the lumen value.

CCT	BAFFLE STYLE AND COLOR	LENS * (At baffle)	ACCESSORIES * (At light element)
2700K	Flanged trim	SDL - Soft diffused lens, Solite	LSDL - Soft diffused lens, Solite
3000K	Trimless	FDL - Frosted lens	LFDL - Frosted lens
3500K	Bevel	CL - Clear lens	LS - Linear spread
4000K	Wet bevel	NOL - No lens	HEX - Hex louver
	White		
	Black		

\* When more than one lens or accessory is specified, multiply together the value of each lens and/or accessory.  
e.g. NOL + LSDL + LS = 1.1 x 1 x 0.84 = 0.924



# AERA 3" DOWNLIGHT

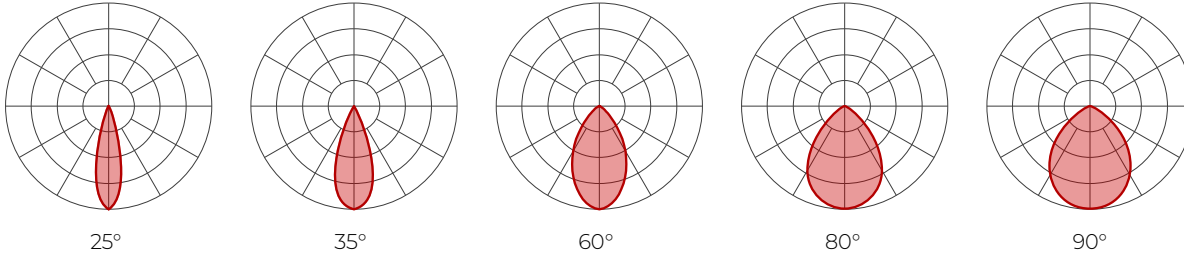
## SQUARE RECESSED ADJUSTABLE



### Photometrics

#### SOLA/DUO

Values calculated based on bevel baffle and SDL lens option.



#### SOLA

BEAM		25°		35°		60°		80°		90°	
		lm	lm/W	lm	lm/W	lm	lm/W	lm	lm/W	lm	lm/W
18 W	3000K	1150	64	1205	67	1100	61	945	53	870	48
	2700K	1150	64	1205	67	1100	61	945	53	870	48

#### DUO

BEAM		25°		35°		60°		80°		90°	
		lm	lm/W	lm	lm/W	lm	lm/W	lm	lm/W	lm	lm/W
19 W	6500K	1285	68	1355	71	1190	63	1025	54	940	49
	5000K	1285	68	1355	71	1190	63	1025	54	940	49
	2700K	1050	55	1090	57	960	51	760	40	760	40

#### MULTIPLIERS

Please follow the multiplier tables to ensure correct lumen value. Beams, CCT, baffle styles, baffle colors, lensing and accessories will change the lumen value.

BAFFLE STYLE AND COLOR		LENS * (At baffle)		ACCESSORIES * (At light element)	
Flanged trim	1	SDL - Soft diffused lens, Solite	1	LSDL - Soft diffused lens, Solite	1
Trimless	1	FDL - Frosted lens	0.8	LFDL - Frosted lens	0.8
Bevel	1	CL - Clear lens	1.1	LS - Linear spread	0.84
Wet bevel	1	NOL - No lens	1.1	HEX - Hex louver	0.86
White	1	* When more than one lens or accessory is specified, multiply together the value of each lens and/or accessory. e.g. NOL + LSDL = 1.1 x 1 = 1.1			
Black	1				

# AERA 3" DOWNLIGHT

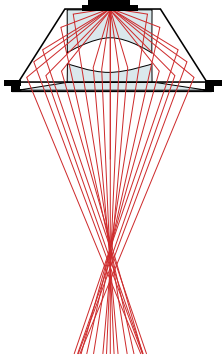
## SQUARE RECESSED ADJUSTABLE



### Technical Specifications

#### OPTIC

XPoint™ Refraction Technology optics provide precise optical control in a remarkably compact form. Micro optical paths from the chip on board converge and then disperse in precise beam angles, resulting in a crisp and exacting light quality.



#### LIGHT SOURCE

##### Static white

Compact COB (Chip-On-Board) LED module, available in 2700K, 3000K, 3500K and 4000K with a choice of 80 CRI, 90 CRI, or 95 CRI, with elevated R9 value for 90 CRI and above. Color consistency is maintained to within 2 SDCM. All LEDs have been tested in accordance with IESNA LM-80-08 and the results have shown L80 lumen maintenance greater than 60,000 hours. Absolute product photometry is measured and presented in accordance with IESNA LM-79, unless otherwise indicated.

##### Full spectrum

The full spectrum LED option offers improved color particularly in the cyan region which helps increase Cyanosis Observation Index (COI) and assist in regulating circadian rhythms. The cyan region in full spectrum LED is richer at the 480 nm range.

##### Chromawerx SOLA

Chromawerx SOLA is single-channel control that dims output while warming the color temperature in a pre-determined relationship. Two color temperature range options are offered: 3000K to 1800K, and 2700K to 1800K. A simple analog control adjusts a specially populated LED array to emulate the effect of dimming a filament source.

##### Chromawerx DUO

Chromawerx DUO offers a two-channel control system which uses analog or digital protocols for synchronous control of both cool to warm LED arrays - maintaining a CRI above 90. Two color temperature range options are offered: 6500K to 2700K, and 5000K to 2700K. The range of color DUO offers is useful for entraining circadian rhythms, stimulating alertness, and compensating for jet lag among other applications. The Chromawerx drivers are programmed to limit maximum light output and power usage across all color temperatures. When paired with DALI drivers (DDA/DDA8), color tuning follows a linear dimming curve.

#### ELECTRICAL

Unless otherwise specified, dimming down to 1%. At maximum driver load: efficiency>84%, PF>0.9, THD<20%.

**Integral:** 0-10V, ELV, TRIAC, Lutron Hi-Lume EcoSystem, DALI, eldoLED 0.1% SOLOdrive 0-10V, eldoLED 1% ECOdrive 0-10V

**Remote:** 0-10V, ELV, TRIAC, Lutron Hi-Lume EcoSystem, DALI, eldoLED 0.1% SOLOdrive 0-10V, eldoLED 1% ECOdrive 0-10V, DMX, Lutron DALI-2 digital

**Emergency battery options:** Remotely-installed, long-life, high-temperature, maintenance-free, Bodine Lithium-Ion battery pack with self-test functionality, test switch and charge indicator. IOTA and Fulham options available upon request. Minimum of 90 minutes operation, and recharge time of 24 hours. For fixtures less than 10 W, the battery provides 6 W of emergency light output. For fixtures 10 W and over, the battery provides 10 W.

#### PoE

Depending on the PoE manufacturer selected, Lumenwerx will install the node in factory as either integral to the luminaire or as a remote module. Factory programming of the PoE node may or may not enable the following functionalities: lumen package, DUO (tunable white), QUADRO (RGBW), emergency battery backup, and sensor integration. These must be addressed and evaluated on a case-by-case basis.

#### CONSTRUCTION

##### Housing

For new construction, 20 gauge powder coated steel. Open frame, type-IC, or Chicago Plenum (CCEA) rated. 18 gauge galvanized steel junction box with ½" trade size knockouts. Adjustable hanger bars and butterfly brackets are included. Adjustable commercial hat channel and flush mounted brackets are also available.

# AERA 3" DOWNLIGHT

## SQUARE RECESSED ADJUSTABLE



### Light element

**Adjustability:** Hot aiming, 355° rotation and 35° vertical tilt with shift to ensure beam stays centered.

**LED module:** Integral COB module. 90 CRI and 2 SDCM, Standard with options of 80 CRI, or 95 CRI. L80 > 60,000 hours.

**XPoint™ Refraction Technology optic:** Micro optical paths from the chip on board converge and then disperse in precise beam angles, resulting in a crisp and exacting light quality.

**Thermal management:** Die-cast aluminum heat sink to maximize thermal dissipation.

**Baffle:** Die-cast aluminum mounted with retaining spring clips

**Trim style:** Trimmed and trimless with mudplate or millwork adapter

### WEIGHT

**Open frame:** 4.3 lbs - 1.9 kg

**Type-IC:** 4.5 lbs - 2.0 kg

**Chicago Plenum:** 7.5 lbs - 3.4 kg

**Remodel:** 3.25 lbs - 1.5 kg

### LENS AND ACCESSORIES



Soft diffused lens, Solite



Frosted diffused lens



Clear lens



Linear spread



Hex louver

### ENVIRONMENT

Ambient temperature at fixture location shall be within 0°C/32°F - 25°C/77°F, indoor dry or damp as well as outdoor damp use (canopies or marquees).

### CERTIFICATIONS

**ETL:** Rated for indoor dry/damp locations. Conforms to UL Standard 1598 and certified to CAN/CSA Standard C22.2 No. 250.0.

**IP44:** IP44 rated for bathrooms, showers, outdoor canopies, and marquees when specified with the wet location (WET) option.

**Chicago Plenum:** City of Chicago approved (CCEA) when specified with CP installation type option.

**IC rated:** Suitable for direct contact with insulation when specified with IC, CP or AT installation type options.

**ENERGY STAR:** ENERGY STAR certified

**Title 24 JAB:** California Building Standards Code

**Declare:** [LBC Red List Approved](#)

### WARRANTY

Lumenwerx provides a five-year limited warranty on electrical and mechanical performance of the luminaires, including the LED boards, drivers, and auxiliary electronics. Lumenwerx will repair or replace defective luminaires or components at our discretion, provided they have been installed and operated in accordance with our specifications. Other limitations apply, please refer to the full warranty on our website.