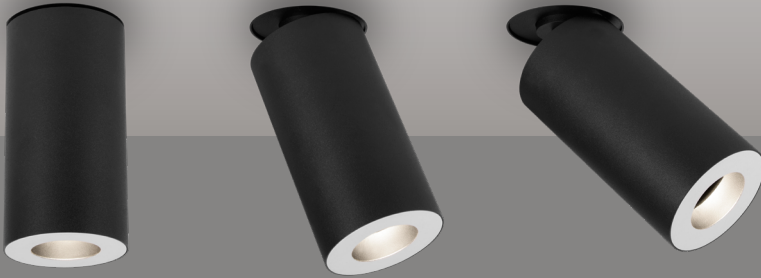


# AERA 3" FLEX CYLINDER

RECESSED  
DIRECT



Project: \_\_\_\_\_  
Type: \_\_\_\_\_



The Aera 3" Flex Cylinder is adjustable, tilting upwards to 90 degrees and rotating 355 degrees. Mountable as a recessed, surface, pendant, or wall fixture, it brings to the Aera family added flexibility and more options to customize lighting effects.

### Beam Angles



Low UGR < 10 in 15°, 25°, 35°, and 50° beams

### Performance

| LUMEN OUTPUT <sup>1</sup> | WATTS | EFFICACY |
|---------------------------|-------|----------|
| 1132 lm                   | 10 W  | 113 lm/W |
| 1545 lm                   | 14 W  | 110 lm/W |

<sup>1</sup>Lumen packages are assuming 3500K, 80 CRI, 35° beam, bevel baffle, SDL lens option.

### Light Source

Static White  
Full Spectrum  
SOLA - Dim-to-Warm  
DUO - Tunable White



### COB

2 Step Color Binning  
Up to 95 CRI

### Driver

1%, 0.1% Dimming Available  
0-10V, TRIAC, ELV, Lutron EcoSystem, DALI, DMX  
Emergency Battery (optional)

### Ceiling Type



Drywall

### Installation Types

New Construction (Type Non-IC)  
Remodel (Type Non-IC)

### Aera Cylinder Family (Refer to other spec sheets)

|  |   |  |
|--|---|--|
|  |   |  |
| 2" / 3" / 4" / 5"<br>4" Seal<br>Pendant<br>Pendant Asymmetric<br>Pendant Wall Wash | 2" / 3" / 4" / 5"<br>4" Seal<br>Wall<br>Wall Asymmetric | 2" / 3" / 4" / 5"<br>4" Seal<br>Surface<br>Surface Asymmetric<br>Surface Wall Wash |

### Inflex Cylinder

|                    |                    |
|--------------------|--------------------|
|                    |                    |
| 3" / 4"<br>Pendant | 3" / 4"<br>Surface |

### Flex Cylinder

|               |                |               |            |
|---------------|----------------|---------------|------------|
|               |                |               |            |
| 3"<br>Pendant | 3"<br>Recessed | 3"<br>Surface | 3"<br>Wall |



# AERA 3" FLEX CYLINDER

RECESSED  
DIRECT



Project: \_\_\_\_\_  
Type: \_\_\_\_\_

## Order Guide

### 1 - Housing (Example: AE3FXCYR-TRM-SW-OF-ASB-120V-10W-D1-NA)

| LUMINAIRE ID                                     | TRIM STYLE   | LIGHT SOURCE  | INSTALLATION TYPE   | MOUNTING OPTION <sup>1</sup>  |
|--|--|---|---|---|
| <b>AE3FXCYR</b>                                  |  |   |   |   |
| <b>AE3FXCYR</b> - Aera 3" Flex Cylinder Recessed | <b>TRM</b> - Flanged trim<br><b>TLMP</b> - Trimless drywall mudplate | <b>SW</b> - Static white<br><b>FS</b> - Full spectrum<br><b>SOLA</b> - Dim-to-warm single channel control 35K to 22K<br><b>DUO</b> - Tunable white 2-channel control 65K to 27K | <b>OF</b> - Open Frame Type Non-IC<br><b>RM</b> - Remodel Type Non-IC | <b>ASB</b> - Adjustable standard bar hangers<br><b>FMB</b> - Flush mount bars<br><b>ACB</b> - Adjustable commercial bar hangers<br><b>AHC</b> <sup>2</sup> - Adjustable hat channel bars<br><b>NA</b> - None<br><br><sup>1</sup> See page 4 for more details. |

| VOLTAGE   | WATTAGE <sup>3</sup>  | DIMMING <sup>4</sup>   |  |   |
|---|---|--|--|---|
| <b>120V</b> - 120V<br><b>277V</b> - 277V<br><b>UNV</b> - 120V-277V<br><b>347V</b> <sup>2</sup> - 347V<br><br><sup>2</sup> Available with RDI driver only. Please consult factory. | <b>10W</b> - 10 W output, up to 1132 lm<br><b>14W</b> - 14 W output, up to 1545 lm<br><br><sup>3</sup> Lumen outputs are reduced with full spectrum, consult factory. | <b>INTEGRAL</b><br><b>D1</b> - 1% 0-10V<br><b>ELV</b> <sup>5</sup> - ELV 120V<br><b>TRI</b> <sup>5</sup> - TRIAC 120V<br><br><sup>4</sup> PoE (Power-over-Ethernet) compatible. Consult factory for details.<br><sup>5</sup> Available with 120V only. | <b>REMOTE</b> <sup>6</sup><br><b>RDI</b> - 1% 0-10V<br><b>RELV</b> <sup>7</sup> - ELV 120V<br><b>RTRI</b> <sup>7</sup> - TRIAC 120V<br><b>RLDEI</b> <sup>8</sup> - Lutron Hi-Lume 1% Eco<br><br><sup>6</sup> A remote driver box is provided, see page 3 for details.<br><sup>7</sup> Available with 120V only.<br><sup>8</sup> On-site commissioning is required.<br><sup>9</sup> For emergency battery, code will be like the following example: <b>RDI+EB</b> | <b>RDA</b> <sup>8</sup> - DALI<br><b>RELD1</b> - eldoLED 1% ECOdrive 0-10V<br><b>RELD0</b> - eldoLED 0.1% SOLOdrive 0-10V<br><b>+EB</b> <sup>9</sup> - Emergency battery  |
|   | <b>SOLA</b><br><b>12W</b> - 12 W output, up to 725 lm<br><br><b>DUO</b><br><b>11W</b> - 11 W output, up to 525 lm   | <b>SOLA</b><br><b>SDI</b> - Single 0-10V input<br><b>SELV</b> <sup>5</sup> - ELV 120V<br><b>STRI</b> <sup>5</sup> - TRIAC 120V   | <b>SOLA</b><br><b>RSDI</b> - Single 0-10V input<br><b>RSELV</b> <sup>7</sup> - ELV 120V<br><b>RSTRI</b> <sup>7</sup> - TRIAC 120V  | <b>DUO</b><br><b>RDMX</b> <sup>8</sup> - DMX<br><b>RDDA</b> <sup>8</sup> - DALI DT6<br><b>RDDA8</b> <sup>8</sup> - DALI DT8<br><b>RDD1</b> - Dual 0-10V input for CCT/intensity<br><b>RPSQ0</b> <sup>8</sup> - Lutron T-Series 1% tunable white |

### 2 - CYLINDER (Example: AE3FXCYRL-D-4.5IN-FTMW-BVL-FTMW-SDL+HEX-SW-15DEG-2STP-90CRI-27K-NA)

| LUMINAIRE ID <sup>10</sup>   | DISTRIBUTION      | CYLINDER HEIGHT <sup>11</sup>  | CYLINDER FINISH   | BAFFLE STYLE   | BAFFLE FINISH   |
|--|-------------------|--|---|--|---|
| <b>AE3FXCYRL</b>   | <b>D</b>          |  |   |  |   |
| <b>AE3FXCYRL</b> - Aera 3" Flex Cylinder Recessed<br><br><sup>10</sup> Pendant, Surface, and Wall also available. Consult other spec sheets. | <b>D</b> - Direct | <b>4.5IN</b> - 4.5"<br><b>6IN</b> - 6"<br><br><sup>11</sup> See page 5 for dimensions. | <b>FTMW</b> - Textured matte white<br><b>FTMB</b> - Textured matte black<br><b>FCHP</b> - Champagne<br><b>CF#</b> - Custom finish, specify RAL# | <b>BVL</b> - Bevel<br><b>PHL</b> - Pinhole<br><b>BVLD</b> - Decorative bevel | <b>FTMW</b> - Textured matte white<br><b>FTMB</b> - Textured matte black<br><b>FSPC</b> - Specular<br><b>FSSPC</b> - Semi-specular<br><b>FCHP</b> - Champagne<br><b>CF#</b> - Custom finish, specify RAL# |

| LENS <sup>*</sup><br>See page 5 for details   | LIGHT SOURCE   | BEAM   | COLOR QUALITY   | CRI  | COLOR TEMP.  | ACCESSORIES <sup>*</sup><br>See page 5 for details   |
|---|--|--|---|--|--|--|
| <b>At baffle</b> (choose 1 option)<br>Specify NOL for Pinhole   | <b>SW</b> - Static white<br><b>FS</b> - Full spectrum  | <b>15DEG</b> - 15° Narrow spot<br><b>25DEG</b> - 25° Spot<br><b>35DEG</b> - 35° Narrow flood<br><b>50DEG</b> - 50° Wide flood<br><b>80DEG</b> - 80° Very wide flood<br><b>90DEG</b> - 90° Open flood | <b>2STP</b> <sup>12</sup> - 2 Step MacAdam Ellipse<br><b>3STP</b> - 3 Step MacAdam Ellipse<br><br><sup>12</sup> Not available with full spectrum. | <b>90CRI</b> <sup>13</sup> - 90 CRI<br><b>95CRI</b> - 95 CRI<br><b>80CRI</b> <sup>13</sup> - 80 CRI<br><br><sup>13</sup> Not available with full spectrum. | <b>27K</b> - 2700K<br><b>30K</b> - 3000K<br><b>35K</b> - 3500K<br><b>40K</b> - 4000K<br><br><b>SOLA</b> - Dim-to-warm single channel control 35K to 22K<br><b>DUO</b> - Tunable white 2-channel control 65K to 27K | <b>At light element</b> <sup>14,15</sup><br>(choose up to 2 options)<br><b>LSDL</b> - Soft diffused lens, Solite<br><b>LFDL</b> - Frosted diffused lens<br><b>LS</b> - Linear spread<br><b>HEX</b> - Hex louver<br><b>NA</b> - None<br><br><sup>14</sup> If two options are specified, separate codes with a "+", e.g. <b>LSDL+HEX</b> .<br><sup>15</sup> LSDL and LFDL cannot be combined. LS and HEX cannot be combined. |
| <b>SDL</b> - Soft diffused lens, Solite<br><b>FDL</b> - Frosted diffused lens<br><b>CL</b> - Clear lens<br><b>NOL</b> - No lens | <b>SOLA</b> - Dim-to-warm single channel control 35K to 22K<br><b>DUO</b> - Tunable white 2-channel control 65K to 27K | <b>50DEG</b> - 50° Wide flood  | <b>3STP</b> - 3 Step MacAdam Ellipse  | <b>90CRI</b> - 90 CRI  |  |  |

\* LSDL or LFDL at light element cannot be combined with SDL, FDL, or CL at baffle. For SOLA/DUO, one of the following lenses must be specified: SDL, FDL, LSDL, or LFDL.

# AERA 3" FLEX CYLINDER



RECESSED  
DIRECT

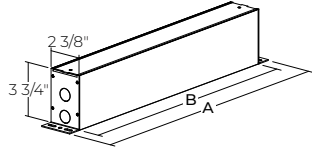
Housing

| INSTALLATION TYPES          |                          |        |
|-----------------------------|--------------------------|--------|
| OF - Open Frame Type Non-IC | RM - Remodel Type Non-IC |        |
|                             | Integral                 | Remote |
|                             |                          |        |

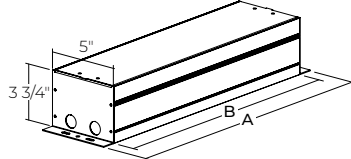
- For height dimension C, see the PLENUM CLEARANCE & CUT-OUT DIMENSIONS table below.  
 - For OF installation type with remote dimming, a remote driver box is provided.

## REMOTE DRIVER BOX

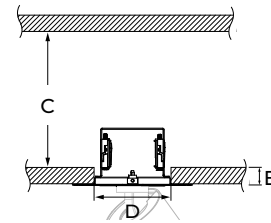
RDB8 / RDB18 / RDB24



RDB24W



## PLENUM CLEARANCE & CUT-OUT DIMENSIONS



|               | RDB8   | RDB18  | RDB24   | RDB24W   |
|---------------|--|--|---|--|
| <b>A</b>      | 10"  | 20"  | 26"   | 26"  |
| <b>B</b>      | 8"   | 18"  | 24"   | 24"  |
| <b>DRIVER</b> | <b>RD1</b> - 1% 0-10V<br><b>RELV</b> - ELV 120V<br><b>RTRI</b> - TRIAC 120V<br><b>RPEQ0</b> - Lutron Hi-lume Premier 0.1% EcoSystem<br><br><b>SOLA</b><br><b>RSD1</b> - Single 0-10V input<br><b>RSELV</b> - ELV 120V<br><b>RSTRI</b> - TRIAC 120V | <b>RLDE1</b> - Lutron Hi-lume 1% Eco<br><b>RDA</b> - DALI<br><b>RELD1</b> - eldoLED 1% ECOdrive 0-10V<br><b>RELD0</b> - eldoLED 0.1% SOLOdrive 0-10V | Emergency battery (+EB) with the following driver options.<br><b>RD1+EB</b> - 1% 0-10V<br><b>RELV+EB</b> - ELV 120V<br><b>RTRI+EB</b> - TRIAC 120V<br><br><b>DUO</b><br><b>RDMX</b> - DMX<br><b>RDDA</b> - DALI DT6<br><b>RDDA8</b> - DALI DT8<br><b>RDD1</b> - Dual 0-10V input for CCT/intensity<br><b>RPSQ0</b> - Lutron T-Series 1% tunable white | Emergency battery (+EB) with the following driver options.<br><b>RLDE1+EB</b> - Lutron Hi-lume 1% Eco<br><b>RDA+EB</b> - DALI<br><b>RELD1+EB</b> - eldoLED 1% ECOdrive 0-10V<br><b>RELD0+EB</b> - eldoLED 0.1% SOLOdrive 0-10V |

|          |    | PLENUM CLEARANCE HEIGHT |                    |
|----------|----|-------------------------|--------------------|
|          |    | REMOTE & INTEGRAL       |                    |
|          |    | D1/ELV/TRI              | LDE1/DA /ELD1/ELDO |
| <b>C</b> | OF | 4 1/8"                  | 6"                 |
|          | RM | 2 3/4"                  | N/A                |

| CUT-OUT DIMENSIONS        |           |          |
|---------------------------|-----------|----------|
| <b>D</b>                  | TRM/ TLMP | Ø 3 7/8" |
| MAXIMUM CEILING THICKNESS |           |          |
| <b>E</b>                  | TRM/ TLMP | 1 3/8"   |

# AERA 3" FLEX CYLINDER

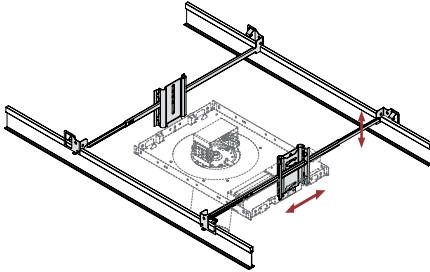


RECESSED  
DIRECT

## Housing

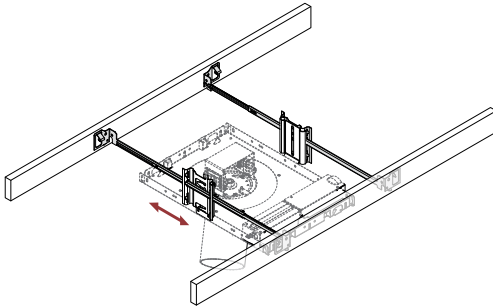
### MOUNTING OPTIONS

#### ASB - Adjustable Standard Bar Hangers



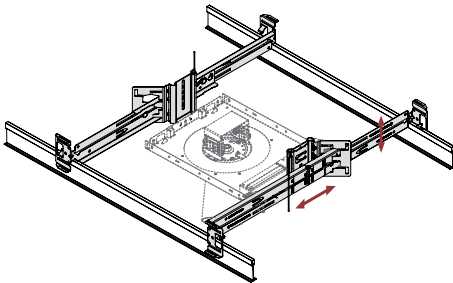
Adjustable Standard Bar hangers can be used in both commercial and residential applications and are adjustable to various heights in both Grid Ceiling and Drywall mounting. ASB hangers are less rigid and versatile than ACB hangers.

#### FMB - Flush Mount Bars



Flush Mount Bars are best used in residential applications, fitting snug to the surface and suitable for Wood, Metal, and Drywall mounting. The flush mounted bars are static and can't be adjusted.

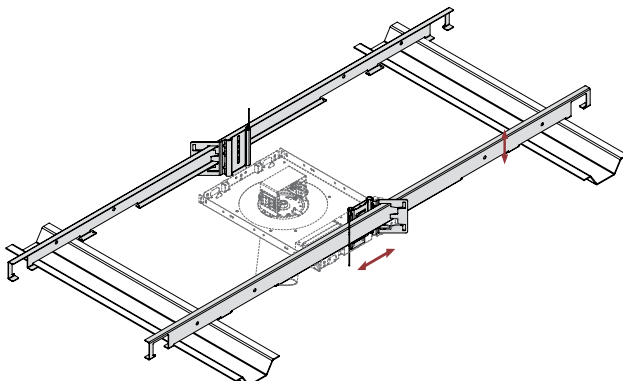
#### ACB - Adjustable Commercial Bar Hangers



Adjustable Commercial Bar hangers can be used in both commercial and residential applications and are by far the most versatile mounting bar we offer with its adjustability to various heights. ACB hangers are suitable for Grid Ceiling, Drywall, Metal, Wood and Frame mounting.

- Extremely rigid
- Fits into C-Channel notches in a Butterfly Bracket

#### AHC - Adjustable Hat Channel Bars



Adjustable Hat Channel bars can be used in both commercial and residential applications and come with a butterfly clip to adjust to various heights. AHC bars can be hung downward by 90 degrees in vertical position, and once wired, can be shifted onto the horizontal mounting plane. AHC bars are suitable for both Drywall and wood ceiling applications.

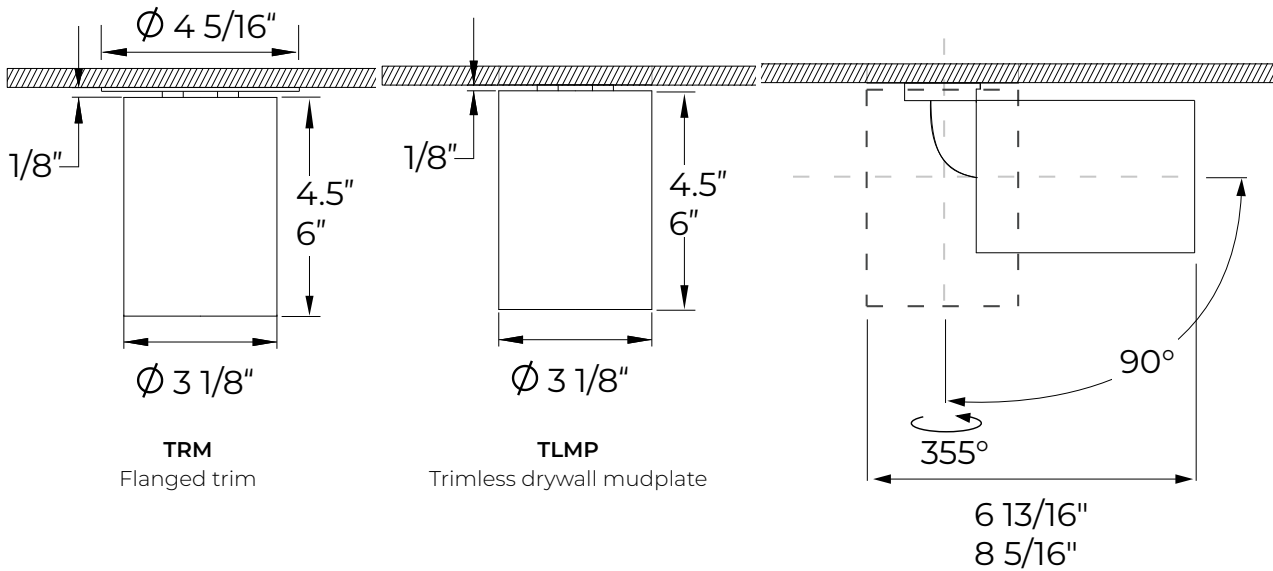
# AERA 3" FLEX CYLINDER



RECESSED  
DIRECT

Cylinder

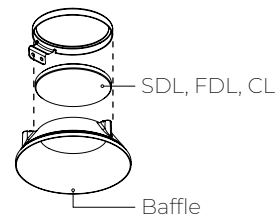
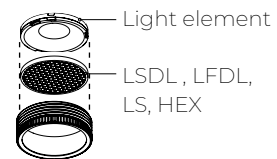
Dimensions



## BAFFLE

| BVL<br>Bevel   | PHL<br>Pinhole               | BVLD<br>Decorative bevel             |
|--|------------------------------|--------------------------------------|
|  |                              |                                      |
| <p>■ Baffle finish</p> <p>■ Textured matte black</p> |                              |                                      |
| <p>20° Cut-off<br/>56° Shielding</p>                 | <p>Optic<br/>40° Cut-off</p> | <p>23° Cut-off<br/>58° Shielding</p> |

## LENS AND ACCESSORIES



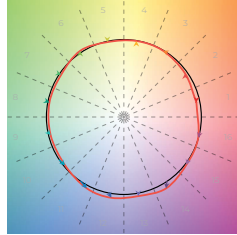
# AERA 3" FLEX CYLINDER



RECESSED  
DIRECT

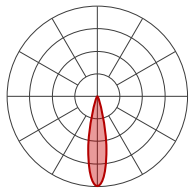
## Color Quality

| COLOR QUALITY - 3500K |      |
|-----------------------|------|
| TM-30 Rr              | 90   |
| TM-30 Ra              | 100  |
| CRI                   | 90   |
| R9                    | > 50 |

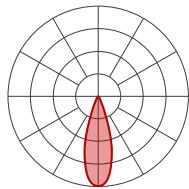


## Photometrics

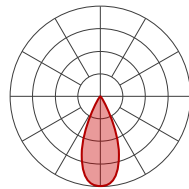
Please follow the multiplier tables to ensure correct lumen value. Beams, CCT, baffle styles, baffle colors, lensing and accessories will change the lumen value.



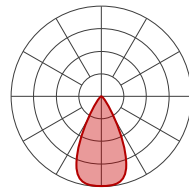
15°



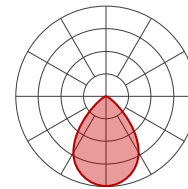
25°



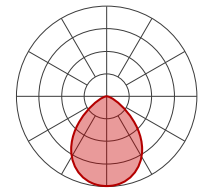
35°



50°



80°



90°

### Delivered Lumens for Bevel Baffles - At 35K, with SDL lens option

| CRI  | 90 CRI |      |      |      |      |      | 95 CRI |      |      |     |     |     | 80 CRI |      |      |      |      |      |
|------|--------|------|------|------|------|------|--------|------|------|-----|-----|-----|--------|------|------|------|------|------|
|      | BEAM   | 15   | 25   | 35   | 50   | 80   | 90     | 15   | 25   | 35  | 50  | 80  | 90     | 15   | 25   | 35   | 50   | 80   |
| 10 W | 987    | 1053 | 1058 | 937  | 843  | 843  | 760    | 811  | 815  | 721 | 649 | 649 | 1056   | 1127 | 1132 | 1003 | 902  | 902  |
| 14 W | 1347   | 1438 | 1444 | 1280 | 1152 | 1152 | 1037   | 1107 | 1112 | 986 | 887 | 887 | 1441   | 1539 | 1545 | 1370 | 1233 | 1233 |

### Efficacy Based on Delivered Lumens

| CRI  | 90 CRI |     |     |    |    |    | 95 CRI |    |    |    |    |    | 80 CRI |     |     |     |    |    |
|------|--------|-----|-----|----|----|----|--------|----|----|----|----|----|--------|-----|-----|-----|----|----|
|      | BEAM   | 15  | 25  | 35 | 50 | 80 | 90     | 15 | 25 | 35 | 50 | 80 | 90     | 15  | 25  | 35  | 50 | 80 |
| 10 W | 99     | 105 | 106 | 94 | 84 | 84 | 76     | 81 | 81 | 72 | 65 | 65 | 106    | 113 | 113 | 100 | 90 | 90 |
| 14 W | 96     | 103 | 103 | 91 | 82 | 82 | 74     | 79 | 79 | 70 | 63 | 63 | 103    | 110 | 110 | 98  | 88 | 88 |

## MULTIPLIERS

| CCT   |      | BAFFLE STYLE AND COLOR |       | LENS * (At baffle) |  | ACCESSORIES * (At light element) |                                   |      |
|-------|------|------------------------|-------|--------------------|--|----------------------------------|-----------------------------------|------|
| 2700K | 0.9  | Bevel                  | White | 1                  | SDL - Soft diffused lens, Solite   | 1                                | LSDL - Soft diffused lens, Solite | 1    |
| 3000K | 0.95 |                        | Black | 1                  | FDL - Frosted lens   | 0.8                              | LFDL - Frosted lens               | 0.8  |
| 3500K | 1    | Pinhole                | White | 0.92               | CL - Clear lens  | 1.1                              | LS - Linear spread                | 0.84 |
|       |      |                        | Black | 0.92               | NOL - No lens  | 1.1                              | HEX - Hex louver                  | 0.86 |
| 4000K | 1.05 | Decorative bevel       | White | 1                  | * When more than one lens or accessory is specified, multiply together the value of each lens and/or accessory. e.g. NOL + LSDL + HEX = 1.1 x 1 x 0.86 = 0.946 |                                  |                                   |      |
|       |      |                        | Black | 1                  |  |                                  |                                   |      |

For SOLA and DUO, please consult factory.



# AERA 3" FLEX CYLINDER

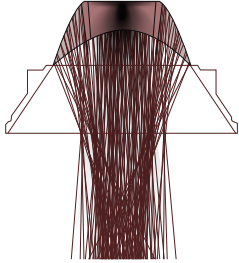
RECESSED  
DIRECT



## Technical Specifications

### OPTIC

XPoint™ Refraction Technology optics provide precise optical control in a remarkably compact form. Micro optical paths from the chip on board converge and then disperse in precise beam angles, resulting in a crisp and exacting light quality.



### LIGHT SOURCE

Compact COB (Chip-On-Board) LED module, available in 2700K, 3000K, 3500K and 4000K with a choice of 80 CRI, 90 CRI, or 95 CRI, with elevated R9 value for 90 CRI and above. Color consistency is maintained to within 2 SDCM. All LEDs have been tested in accordance with IESNA LM-80-08 and the results have shown L80 lumen maintenance greater than 60,000 hours. Absolute product photometry is measured and presented in accordance with IESNA LM-79, unless otherwise indicated. Optional full spectrum LEDs can be incorporated in the fixture to increase Cyanosis Observation Index (COI) and assist in regulating circadian rhythms.

### CHROMAWERX

#### Chromawerx SOLA

Chromawerx SOLA is single-channel control that dims output while warming the color temperature in a pre-determined relationship. A simple analog control adjusts a specially populated LED array to emulate the effect of dimming a filament source.

#### Chromawerx DUO

Chromawerx DUO offers a two-channel control system which uses analog or digital protocols for synchronous control of both cool (6500K) to warm (2700K) LED arrays - maintaining a CRI above 90. The range of color DUO offers is useful for entraining circadian rhythms, stimulating alertness, and compensating for jet lag among other applications. The Chromawerx drivers are programmed to limit maximum light output and power usage across all color temperatures. When paired with DALI drivers (DDA/DDA8), color tuning follows a linear dimming curve.

### ELECTRICAL

Unless otherwise specified, dimming down to 1%. At maximum driver load: efficiency>84%, PF>0.9, THD<20%.

**Integral:** 0-10V, ELV, TRIAC.

**Remote:** 0-10V, ELV, TRIAC, Lutron Hi-Lume 1% EcoSystem, DALI, eldoLED 0.1% SOLOdrive 0-10V, eldoLED 1% ECOdrive 0-10V, DMX, Lutron T-series (tunable white).

**Emergency Battery Option:** Remotely-installed, long-life, high-temperature, maintenance-free, Bodine Lithium-Ion battery pack with self-test functionality, test switch and charge indicator. IOTA and Fulham options available upon request. Minimum of 90 minutes operation, and recharge time of 24 hours. For fixtures less than 10W, the battery provides 6W of emergency light output. For fixtures 10W and over, the battery provides 10W.

### PoE

Depending on the PoE manufacturer selected, Lumenwerx will install the node in factory as either integral to the luminaire, or as a remote module. Factory programming of the PoE node may or may not enable the following functionalities: lumen package, Duo (tunable white), emergency battery backup, and sensor integration. These must be addressed and evaluated on a case-by-case basis.

### CONSTRUCTION

**Housing:** For new construction, 20 gauge powder coated steel open frame housing. 18 gauge galvanized steel junction box with 1/2" trade size knockouts. Adjustable hanger bars and butterfly brackets are included. Adjustable commercial hat channel and flush mounted brackets are also available.

**Cylinder:** Die-cast and extruded aluminum.

**Finish:** Textured matte white, black, and champagne. Custom colors also available (provide RAL #). Specular and semi-specular finishes are also available for Baffle.

**Heat sink:** Die-cast aluminum.

### WEIGHT

|            | 4.5"              | 6"                |
|------------|-------------------|-------------------|
| Open Frame | 3.6 lbs - 1.62 kg | 4.2 lbs - 1.89 kg |
| Remodel    | 3.0 lbs - 1.35 kg | 3.6 lbs - 1.62 kg |

### BAFFLE

Die-cast aluminum

**Baffle style:** Bevel, pinhole, and decorative bevel

# AERA 3" FLEX CYLINDER

RECESSED  
DIRECT



## LENS AND ACCESSORIES



Soft diffused  
lens, Solite



Frosted  
diffused lens



Clear lens



Linear Spread



Hex Louver

## ENVIRONMENT

Ambient temperature at fixture location shall be within 0°C/32°F - 25°C/77°F, indoor dry or damp as well as outdoor damp use (canopies or marquees).

## CERTIFICATIONS

**ETL** - Rated for Indoor Dry/Damp locations. Conforms to UL Standard 1598 and certified to CAN/CSA Standard C22.2 No. 250.0.

## WARRANTY

Lumenwerx provides a five-year limited warranty of electrical and mechanical performance of the luminaires, including the LED boards, drivers, and auxiliary electronics. Lumenwerx will repair or replace defective luminaires or components at our discretion, provided they have been installed and operated in accordance with our specifications. Other limitations apply, please refer to the full warranty on our website.