

AERA 3" INFLEX CYLINDER



PENDANT
DIRECT



Project: _____
Type: _____



**8" Height
Bevel**



**8" Height
Decorative Bevel**



**12" Height
Pinhole**

The Aera Inflex Cylinders feature adjustable optics that can tilt 35 degrees and rotate 355 degrees, all while their cylindrical housings stay in their fixed position. Mountable as pendant or surface fixtures, they can serve to subtly emphasize certain features of a space or add visual interest to plain lighting design.

Beam Angles



15° 25° 35° 50° 80° 90°
Low UGR < 10 in 15°, 25°, 35°, and 50° beams / Max. tilt 35°

Performance

| LUMEN OUTPUT ¹ | WATTS | EFFICACY |
|---------------------------|-------|----------|
| 1024 lm | 10 W | 102 lm/W |
| 1352 lm | 14 W | 97 lm/W |

¹Lumen packages are assuming 3500K, 80 CRI, 35° beam, bevel baffle, SDL lens option.

Light Source

Static White
Full Spectrum
SOLA - Dim-to-Warm
DUO - Tunable White



COB

2 Step Color Binning
Up to 95 CRI

Driver


1%, 0.1% Dimming Available
0-10V, TRIAC, ELV, Lutron EcoSystem, DALI, DMX
Emergency Battery (optional)

Mounting Options




Flat Stem Swivel Stem Conduit Stem Swivel Stem Direct Stem Deep Stem


Aera Cylinder Family (Refer to other spec sheets)




2" / 3" / 4" / 5"
4" Seal
Pendant
Pendant Asymmetric
Pendant Wall Wash




2" / 3" / 4" / 5"
4" Seal
Wall
Wall Asymmetric



2" / 3" / 4" / 5"
4" Seal
Surface
Surface Asymmetric
Surface Wall Wash



3" / 4"
Pendant



3" / 4"
Surface



3"
Pendant



3"
Recessed



3"
Surface



3"
Wall



AERA 3" INFLEX CYLINDER



PENDANT
DIRECT

Project: _____

Type: _____

Order Guide

| LUMINAIRE ID ¹ | DISTRIBUTION | CYLINDER HEIGHT | CYLINDER FINISH | BAFFLE STYLE | BAFFLE FINISH |
|--|--------------|--|---|--|---|
| AE3INFXCYP | D | | | | |
| AE3INFXCYP - Aera 3" Inflex Cylinder Pendant ¹ Surface also available. Consult other spec sheet. | D - Direct | 8IN - 8" 12IN - 12" CH#IN ² - Custom height ² Specify height (#) in 1" increments only. Up to maximum 36". | FTMW - Textured matte white FTMB - Textured matte black FCHP - Champagne CF# - Custom finish, specify RAL# | BVL - Bevel PHL - Pinhole BVLD - Decorative bevel | FTMW - Textured matte white FTMB - Textured matte black FSPC - Specular FSSPC - Semi-specular FCHP - Champagne CF# - Custom finish, specify RAL# |

| LENS * | LIGHT SOURCE | BEAM | COLOR QUALITY | CRI | COLOR TEMP. | ACCESSORIES * |
|--|---|---|---|---|--|--|
| See page 3 for details | | | | | | See page 3 for details |
| At baffle (choose 1 option) Specify NOL for Pinhole SDL - Soft diffused lens, Solite FDL - Frosted diffused lens CL - Clear lens NOL - No lens | SW - Static white FS - Full spectrum SOLA - Dim-to-warm single channel control 35K to 22K DUO - Tunable white 2-channel control 65K to 27K | 15DEG - 15° Narrow spot 25DEG - 25° Spot 35DEG - 35° Narrow flood 50DEG - 50° Wide flood 80DEG - 80° Very wide flood 90DEG - 90° Open flood 50DEG - 50° Wide flood | 2STP ³ - 2 Step MacAdam Ellipse 3STP - 3 Step MacAdam Ellipse ³ Not available with full spectrum. | 90CRI ⁴ - 90 CRI 95CRI - 95 CRI 80CRI ⁴ - 80 CRI ⁴ Not available with full spectrum. | 27K - 2700K 30K - 3000K 35K - 3500K 40K - 4000K SOLA - Dim-to-warm single channel control 35K to 22K DUO - Tunable white 2-channel control 65K to 27K | At light element ^{5,6} (choose up to 2 options) LSDL - Soft diffused lens, Solite LFDL - Frosted diffused lens LS - Linear spread HEX - Hex louver NA - None ⁵ If two options are specified, separate codes with a "+", e.g. LSDL+HEX . ⁶ LSDL and LFDL cannot be combined. LS and HEX cannot be combined. |

* LSDL or LFDL at light element cannot be combined with SDL, FDL, or CL at baffle. For SOLA/DUO, one of the following lenses must be specified: SDL, FDL, LSDL, or LFDL.

| VOLTAGE | WATTAGE ⁸ | DIMMING ¹⁰ | |
|---|--|--|---|
| | | | |
| 120V - 120V 277V - 277V UNV - 120V-277V 347V ⁷ - 347V ⁷ Available with RD1 driver only. Please consult factory. | 10W - 10 W output, up to 1024 lm 14W ⁹ - 14 W output, up to 1352 lm ⁸ Lumen outputs are reduced with full spectrum, consult factory. ⁹ Not available with full spectrum. | INTEGRAL D1 - 1% 0-10V ELV ¹¹ - ELV 120V TRI ¹¹ - TRIAC 120V ¹⁰ PoE (Power-over-Ethernet) compatible. Consult factory for details. ¹¹ Available with 120V only. | REMOTE ¹² RD1 - 1% 0-10V RELV ¹³ - ELV 120V RTRI ¹³ - TRIAC 120V ¹² A remote driver box is provided, see page 5 for details. ¹³ Available with 120V only. |
| | SOLA 12W - 12 W output, up to 625 lm DUO 11W - 11 W output, up to 500 lm | SOLA SD1 - Single 0-10V input SELV ¹¹ - ELV 120V STRI ¹¹ - TRIAC 120V | SOLA RSD1 - Single 0-10V input RSELV ¹³ - ELV 120V RSTRI ¹³ - TRIAC 120V |
| | | | RLDE1 ¹⁴ - Lutron Hi-Lume 1% Eco RDA ¹⁴ - DALI RELD1 - eLdoLED 1% ECOdrive 0-10V RELD0 - eLdoLED 0.1% SOLOdrive 0-10V +EB ¹⁵ - Emergency battery ¹⁴ On-site commissioning is required. ¹⁵ For emergency battery, code will be like the following example: RD1+EB . |
| | | | DUO RDMX ¹⁴ - DMX RDDA ¹⁴ - DALI DT6 RDDA8 ¹⁴ - DALI DT8 RDD1 - Dual 0-10V input for CCT/intensity RPSQ0 ¹⁴ - Lutron T-Series 1% tunable white |

| CANOPY TYPE ¹⁶ | CANOPY FINISH | SUSPENSION ²² |
|--|---|---|
| | | |
| FLR ¹⁷ - Flat round canopy, 4" octagonal junction box CDR ¹⁸ - Conduit feed, round canopy DMNC ¹⁹ - Direct mount, new construction DRMR ^{19,20} - Direct mount, remodel DR ²¹ - Deep round canopy, driver in canopy ¹⁶ See page 4 for details. ¹⁷ Driver is housed in j-box when specified with integral drivers. ¹⁸ Driver is housed in canopy when specified with integral drivers. ¹⁹ Available with remote driver only. ²⁰ Single wiring entry only. No daisy chain connections allowed. ²¹ Available with integral driver only. Driver is housed in canopy. | FTMW - Textured matte white FTMB - Textured matte black FCHP - Champagne CF# - Custom finish, specify RAL# | BKS##IN - Textured black stem WHS##IN - Textured white stem BKSS##IN ²³ - Textured black swivel stem WHSS##IN ²³ - Textured white swivel stem CF#S##IN ²⁴ - Custom finish stem CF#SS##IN ^{23,24} - Custom finish swivel stem ²² Min 10" - max 72", specify length (##) in inches. ²³ Only available with FLR/CDR and remote driver. ²⁴ Specify RAL#. |



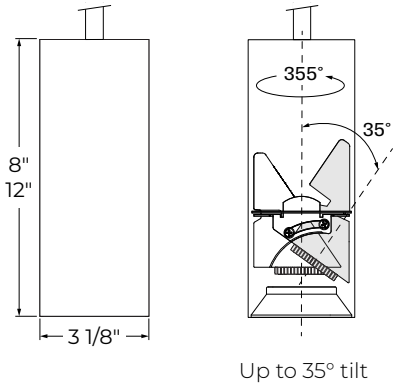
AERA 3" INFLEX CYLINDER



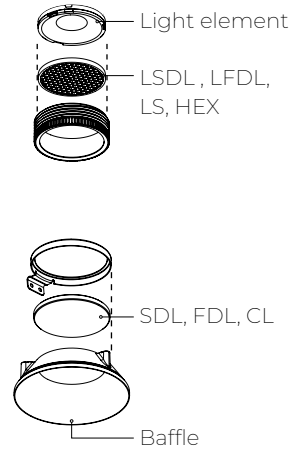
PENDANT
DIRECT

Dimensions

CYLINDER



LENS AND ACCESSORIES



BAFFLE

| BVL Bevel | PHL Pinhole | BVLD Decorative bevel |
|--|--|--|
| | | |
| <p>■ Baffle finish</p> <p>■ Textured matte black</p> | | |
| <p>Ø 3 1/16"</p> <p>Ø 1 13/16"</p> <p>20° Cut-off</p> <p>56° Shielding</p> <p>7/8"</p> | <p>Ø 3 1/16"</p> <p>Ø 1 13/16"</p> <p>40° Cut-off</p> <p>Optic</p> <p>13/16"</p> | <p>Ø 3 1/8"</p> <p>Ø 1 13/16"</p> <p>23° Cut-off</p> <p>58° Shielding</p> <p>1"</p> <p>3/16"</p> |

AERA 3" INFLEX CYLINDER



PENDANT
DIRECT

Mounting

CANOPY

| INTEGRAL DRIVER | | | |
|-----------------|---|---|---|
| Order code | FLR Flat round canopy, 4" octagonal junction box | CDR Conduit feed, round canopy | DR Deep round canopy, driver in canopy |
| Canopy type | | | |
| Canopy size | Ø 4 5/8" Height 1/4" | Ø 5 1/2" Height 1 15/16" | Ø 5 5/8" Height 1 3/8" |
| Suspension | Stem | | |

| REMOTE DRIVER | | | | |
|---------------|---|---|--|--|
| Order code | FLR Flat round canopy, 4" octagonal junction box | CDR Conduit feed, round canopy | DMNC Direct mount, new construction | DMRM* Direct mount, remodel |
| Canopy type | | | | |
| Canopy size | Ø 4 5/8" Height 1/4" | Ø 5 1/2" Height 1 15/16" | Ø 3 1/8" Height 2" | |
| Suspension | Stem, Swivel stem | | | Stem |

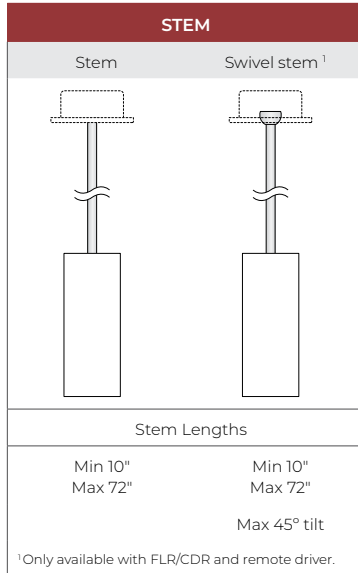
* Single wiring entry only. No daisy chain connections allowed.

AERA 3" INFLEX CYLINDER



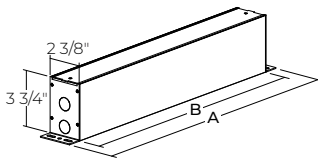
PENDANT DIRECT

SUSPENSION

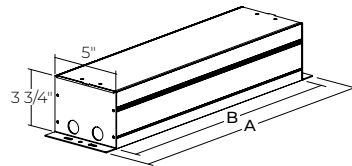


REMOTE DRIVER BOX

RDB8 / RDB18 / RDB24



RDB24W



| | RDB8 | RDB18 | RDB24 | RDB24W |
|---------------|--|--|---|--|
| A | 10" | 20" | 26" | 26" |
| B | 8" | 18" | 24" | 24" |
| DRIVER | RDI - 1% 0-10V RELV - ELV 120V RTRI - TRIAC 120V SOLA RSDI - Single 0-10V input RSELV - ELV 120V RSTRI - TRIAC 120V | RLDE1 - Lutron Hi-Lume 1% Eco RDA - DALI RELD1 - eldoLED 1% ECOdrive 0-10V RELD0 - eldoLED 0.1% SOLOdrive 0-10V | Emergency battery (+EB) with the following driver options. RDI+EB - 1% 0-10V RELV+EB - ELV 120V RTRI+EB - TRIAC 120V DUO RDMX - DMX RDDA - DALI DT6 RDDA8 - DALI DT8 RDD1 - Dual 0-10V input for CCT/intensity RPSQO - Lutron T-Series 1% tunable white | Emergency battery (+EB) with the following driver options. RLDE1+EB - Lutron Hi-Lume 1% Eco RDA+EB - DALI RELD1+EB - eldoLED 1% ECOdrive 0-10V RELD0+EB - eldoLED 0.1% SOLOdrive 0-10V |

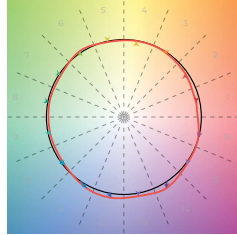
AERA 3" INFLEX CYLINDER



PENDANT
DIRECT

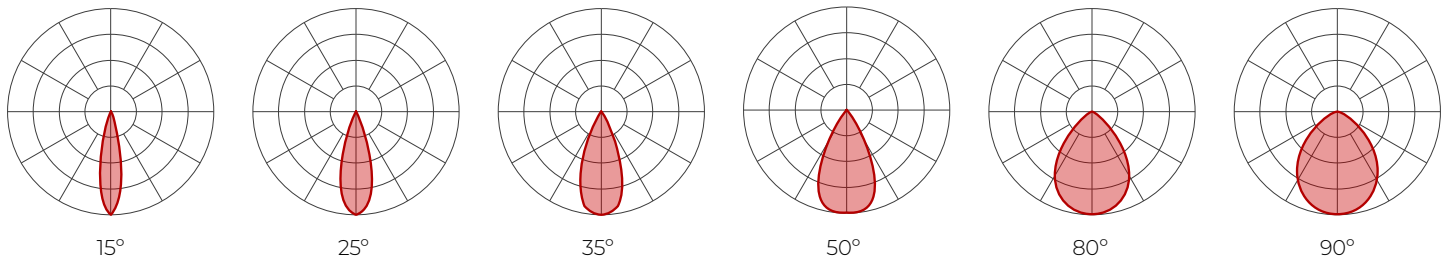
Color Quality

| COLOR QUALITY - 3500K | |
|-----------------------|------|
| TM-30 Rr | 90 |
| TM-30 Ra | 100 |
| CRI | 90 |
| R9 | > 50 |



Photometrics

Please follow the multiplier tables to ensure correct lumen value. Beams, CCT, baffle styles, baffle colors, lensing and accessories will change the lumen value.



Delivered Lumens for Bevel Baffles - At 35K, with SDL lens option

| CRI | 90 CRI | | | | | | 95 CRI | | | | | | 80 CRI | | | | | |
|------|--------|------|------|------|------|------|--------|-----|-----|-----|-----|-----|--------|------|------|------|------|------|
| | 15 | 25 | 35 | 50 | 80 | 90 | 15 | 25 | 35 | 50 | 80 | 90 | 15 | 25 | 35 | 50 | 80 | 90 |
| 10 W | 893 | 953 | 957 | 848 | 763 | 763 | 688 | 734 | 737 | 653 | 588 | 588 | 956 | 1020 | 1024 | 907 | 817 | 817 |
| 14 W | 1179 | 1259 | 1264 | 1120 | 1008 | 1008 | 908 | 969 | 973 | 862 | 776 | 776 | 1262 | 1347 | 1352 | 1198 | 1079 | 1079 |

Efficacy Based on Delivered Lumens

| CRI | 90 CRI | | | | | | 95 CRI | | | | | | 80 CRI | | | | | |
|------|--------|----|----|----|----|----|--------|----|----|----|----|----|--------|-----|-----|----|----|----|
| | 15 | 25 | 35 | 50 | 80 | 90 | 15 | 25 | 35 | 50 | 80 | 90 | 15 | 25 | 35 | 50 | 80 | 90 |
| 10 W | 89 | 95 | 96 | 85 | 76 | 76 | 69 | 73 | 74 | 65 | 59 | 59 | 96 | 102 | 102 | 91 | 82 | 82 |
| 14 W | 84 | 90 | 90 | 80 | 72 | 72 | 65 | 69 | 70 | 62 | 55 | 55 | 90 | 96 | 97 | 86 | 77 | 77 |

MULTIPLIERS

| CCT | | BAFFLE STYLE AND COLOR | | LENS * (At baffle) | | ACCESSORIES * (At light element) | | |
|-------|------|------------------------|-------|--------------------|---|----------------------------------|-----------------------------------|------|
| 2700K | 0.9 | Bevel | White | 1 | SDL - Soft diffused lens, Solite | 1 | LSDL - Soft diffused lens, Solite | 1 |
| 3000K | 0.95 | | Black | 1 | FDL - Frosted lens | 0.8 | LFDL - Frosted lens | 0.8 |
| 3500K | 1 | Pinhole | White | 0.92 | CL - Clear lens | 1.1 | LS - Linear spread | 0.84 |
| | | | Black | 0.92 | NOL - No lens | 1.1 | HEX - Hex louver | 0.86 |
| 4000K | 1.05 | Decorative bevel | White | 1 | * When more than one lens or accessory is specified, multiply together the value of each lens and/or accessory. e.g. NOL + LSDL + HEX = 1.1 x 1 x 0.86 = 0.946 | | | |
| | | | Black | 1 | | | | |

For SOLA and DUO, please consult factory.



AERA 3" INFLEX CYLINDER

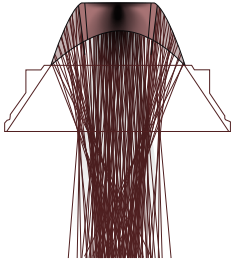


PENDANT
DIRECT

Technical Specifications

OPTIC

XPoint™ Refraction Technology optics provide precise optical control in a remarkably compact form. Micro optical paths from the chip on board converge and then disperse in precise beam angles, resulting in a crisp and exacting light quality.



LIGHT SOURCE

Compact COB (Chip-On-Board) LED module, available in 2700K, 3000K, 3500K and 4000K with a choice of 80 CRI, 90 CRI, or 95 CRI, with elevated R9 value for 90 CRI and above. Color consistency is maintained to within 2 SDCM. All LEDs have been tested in accordance with IESNA LM-80-08 and the results have shown L80 lumen maintenance greater than 60,000 hours. Absolute product photometry is measured and presented in accordance with IESNA LM-79, unless otherwise indicated. Optional full spectrum LEDs can be incorporated in the fixture to increase Cyanosis Observation Index (COI) and assist in regulating circadian rhythms.

CHROMAWERX

Chromawerx SOLA

Chromawerx SOLA is single-channel control that dims output while warming the color temperature in a pre-determined relationship. A simple analog control adjusts a specially populated LED array to emulate the effect of dimming a filament source.

Chromawerx DUO

Chromawerx DUO offers a two-channel control system which uses analog or digital protocols for synchronous control of both cool (6500K) to warm (2700K) LED arrays - maintaining a CRI above 90. The range of color DUO offers is useful for entraining circadian rhythms, stimulating alertness, and compensating for jet lag among other applications. The Chromawerx drivers are programmed to limit maximum light output and power usage across all color temperatures. When paired with DALI drivers (DDA/DDA8), color tuning follows a linear dimming curve.

ELECTRICAL

Unless otherwise specified, dimming down to 1%. At maximum driver load: efficiency>84%, PF>0.9, THD<20%.

Integral: 0-10V, ELV, TRIAC.

Remote: 0-10V, ELV, TRIAC, Lutron Hi-Lume 1% EcoSystem, DALI, eldoLED 0.1% SOLOdrive 0-10V, eldoLED 1% ECOdrive 0-10V, DMX, Lutron T-series (tunable white).

Emergency Battery Option: Remotely-installed, long-life, high-temperature, maintenance-free, Bodine Lithium-Ion battery pack with self-test functionality, test switch and charge indicator. IOTA and Fulham options available upon request. Minimum of 90 minutes operation, and recharge time of 24 hours. For fixtures less than 10W, the battery provides 6W of emergency light output. For fixtures 10W and over, the battery provides 10W.

PoE

Depending on the PoE manufacturer selected, Lumenwerx will install the node in factory as either integral to the luminaire, or as a remote module. Factory programming of the PoE node may or may not enable the following functionalities: lumen package, Duo (tunable white), emergency battery backup, and sensor integration. These must be addressed and evaluated on a case-by-case basis.

CONSTRUCTION

Housing: Die-cast and extruded aluminum.

Stem: Rigid stem and swivel stem 10" to 72" standard length

Canopy: Flat, conduit feed, direct, and deep

Finish: Textured matte white, black, and champagne. Custom colors also available (provide RAL #). Specular and semi-specular finishes are also available for Baffle.

Heat sink: Die-cast aluminum.

WEIGHT

8" - 1.1 lbs - 0.6 kg

12" - 1.8 lbs - 0.8 kg

BAFFLE

Die-cast aluminum

Baffle style: Bevel, pinhole, and decorative bevel

LENS AND ACCESSORIES



Soft diffused lens, Solite



Frosted diffused lens



Clear lens



Linear Spread



Hex Louver

AERA 3" INFLEX CYLINDER



PENDANT DIRECT

ENVIRONMENT

Ambient temperature at fixture location shall be within 0°C/32°F - 25°C/77°F, indoor dry or damp as well as outdoor damp use (canopies or marquees).

CERTIFICATION

ETL - Rated for Indoor Dry/Damp locations. Conforms to UL Standard 1598 and certified to CAN/CSA Standard C22.2 No. 250.0.

WARRANTY

Lumenwerx provides a five-year limited warranty of electrical and mechanical performance of the luminaires, including the LED boards, drivers, and auxiliary electronics. Lumenwerx will repair or replace defective luminaires or components at our discretion, provided they have been installed and operated in accordance with our specifications. Other limitations apply, please refer to the full warranty on our website.