

# AERA 3" MULTI-APERTURE

## ROUND RECESSED



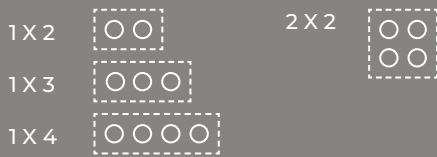
Declare.



1 X 3  
Bevel Trimless

Aera recessed multi-apertures are true to size, encased in minimalist housing, and suitable additions to any interior space where outstanding optical performance, maximal eye comfort, and/or an industry-leading wall wash are required.

### Array



### Ceiling Types



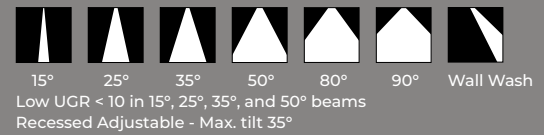
### Installation Types

New Construction (Type Non-IC, Type-IC, CCEA)

### Plenum Clearance



### Beam Angles



### Light Source

Static White  
Full Spectrum  
SOLA - Dim-to-Warm

### COB

2 Step Color Binning  
Up to 95 CRI

### Driver

1%, 0.1% Dimming Available  
0-10V, TRIAC, ELV, Lutron EcoSystem, DALI  
Emergency Battery (optional)

### Aera Family (Refer to other spec sheets)

#### Downlight



2" / 3" / 4"  
Round / Square  
Recessed Adjustable



2" / 3" / 4"  
Round / Square  
Recessed



2" / 3" / 4"  
Round / Square  
Recessed Wall Wash

#### Multi-aperture



2" / 3" / 4"  
Round / Square  
Recessed Adjustable



2" / 3" / 4"  
Round / Square  
Recessed



2" / 3" / 4"  
Round / Square  
Recessed Wall Wash

#### Cylinder



2" / 3" / 4" / 5"  
4" Seal  
Pendant

Pendant Asymmetric  
Pendant Wall Wash



2" / 3" / 4" / 5"  
4" Seal  
Wall

Wall Asymmetric



2" / 3" / 4" / 5"  
4" Seal  
Surface

Surface Asymmetric  
Surface Wall Wash

www.lumenwerx.com  
T (514) 225-4304

© Lumenwerx, ULC. All rights reserved.



Lumenwerx reserves the right to modify product specifications without notification.

AERA3-MULTI-APERTURE-ROUND-SPEC-REV6 April 22, 2024



# AERA 3" MULTI-APERTURE

## ROUND RECESSED



Project: \_\_\_\_\_

Type: \_\_\_\_\_

### Order Guide

#### 1 - Housing (Example: AE3MRR-1X2M-TRM-OF-ASB)

| LUMINAIRE ID <sup>1</sup>   | ARRAY  | TRIM STYLE  | INSTALLATION TYPE   | MOUNTING OPTION <sup>3</sup>   |
|---|--|---|---|--|
| <b>AE3MRR</b>   |  |   |   |  |
| <b>AE3MRR</b> - Aera 3" Multi-aperture Round Recessed<br><sup>1</sup> Square recessed also available. Consult other spec sheet. | <b>1X2M</b> - 1 X 2<br><b>1X3M</b> - 1 X 3<br><b>1X4M</b> - 1 X 4<br><b>2X2M</b> - 2 X 2 | <b>TRM</b> - Flanged trim<br><b>TLMP</b> - Trimless drywall mudplate<br><b>TLMW</b> - Trimless millwork | <b>OF</b> - Open Frame Type Non-IC<br><b>IC <sup>2</sup></b> - Type-IC<br><b>CP <sup>2</sup></b> - Chicago Plenum Type-IC (CCEA)<br><sup>2</sup> Not available with 14 W output and higher. | <b>ASB</b> - Adjustable standard bar hangers<br><b>FMB</b> - Flush mount bars<br><b>ACB</b> - Adjustable commercial bar hangers<br><b>AHC</b> - Adjustable hat channel bars<br><b>NA</b> - None<br><sup>3</sup> See page 4 for more details. |

#### 2 - Module (Example: AE3MRRB-SW-15DEG-2STP-90CRI-27K-120V-10W-D1-LSDL+LS-TRM-CL-FTMW-FTMW-NA)

| MODULE (Specify order code for each module) |              |
|---|--------------|
| M1  | 1 X 2  2 X 2 |
| M2  | 1 X 3        |
| M3  |              |
| M4  | 1 X 4        |

| LUMINAIRE ID  | LIGHT SOURCE  | BEAM<br><small>Specify WW for Wall Wash</small>   | COLOR QUALITY   | CRI   | COLOR TEMP.   | VOLTAGE   |
|---|---|---|---|---|---|---|
| <b>AE3MRRB</b> - Aera 3" Round Recessed Bevel<br><b>AE3MRRP</b> - Aera 3" Round Recessed Pinhole<br><b>AE3MRRAB</b> - Aera 3" Round Recessed Adjustable Bevel<br><b>AE3MRRAP</b> - Aera 3" Round Recessed Adjustable Pinhole<br><b>AE3MRRWWB</b> - Aera 3" Round Recessed Wall Wash | <b>SW</b> - Static white<br><b>FS</b> - Full spectrum<br><br><b>SOLA</b> - Dim-to-warm single channel control | <b>15DEG</b> - 15° Narrow spot<br><b>25DEG</b> - 25° Spot<br><b>35DEG</b> - 35° Narrow flood<br><b>50DEG</b> - 50° Wide flood<br><b>80DEG</b> - 80° Very wide flood<br><b>90DEG</b> - 90° Open flood<br><b>WW</b> - Wall wash | <b>2STP</b> <sup>4</sup> - 2 Step MacAdam Ellipse<br><b>3STP</b> - 3 Step MacAdam Ellipse<br><br><sup>4</sup> Not available with full spectrum. | <b>90CRI</b> <sup>5</sup> - 90 CRI<br><b>95CRI</b> - 95 CRI<br><b>80CRI</b> <sup>5</sup> - 80 CRI<br><br><sup>5</sup> Not available with full spectrum. | <b>27K</b> - 2700K<br><b>30K</b> - 3000K<br><b>35K</b> - 3500K<br><b>40K</b> - 4000K<br><br><b>SOLA</b><br><b>30K18K</b> - 3000K to 1800K<br><b>27K18K</b> - 2700K to 1800K | <b>120V</b> - 120V<br><b>277V</b> - 277V<br><b>UNV</b> - 120V-277V<br><b>347V</b> <sup>6</sup> - 347V<br><br><sup>6</sup> Available with RD1 driver only. Please consult factory. |

| WATTAGE PER LIGHT <sup>7</sup>   |   |   | DIMMING <sup>10, 11</sup>   |  |  |  |
|--|---|---|---|--|--|--|
| RECESSED   | RECESSED ADJ.   | RECESSED WW   | INTEGRAL  | REMOTE <sup>13</sup>   |  |  |
| <b>10W</b> - 10 W output, up to 1132 lm<br><b>14W</b> <sup>8</sup> - 14 W output, up to 1545 lm<br><b>20W</b> <sup>8</sup> - 20 W output, up to 2135 lm<br><sup>7</sup> Lumen outputs are reduced with full spectrum, consult factory.<br><sup>8</sup> Not available with IC/CP.<br><sup>9</sup> Not available with full spectrum. | <b>10W</b> - 10 W output, up to 1024 lm<br><b>14W</b> <sup>8,9</sup> - 14 W output, up to 1352 lm<br><b>20W</b> <sup>8,9</sup> - 20 W output, up to 1922 lm | <b>10W</b> - 10 W output, up to 601 lm<br><b>14W</b> <sup>8</sup> - 14 W output, up to 822 lm<br><b>20W</b> <sup>8</sup> - 20 W output, up to 1135 lm | <b>D1</b> - 1% 0-10V<br><b>ELV</b> <sup>12</sup> - ELV 120V<br><b>TRI</b> <sup>12</sup> - TRIAC 120V<br><br><sup>10</sup> A driver provided per light.<br><sup>11</sup> PoE (Power-over-Ethernet) compatible. Consult factory for details.<br><sup>12</sup> Available with 120V only. | <b>RD1</b> - 1% 0-10V<br><b>RELV</b> <sup>14</sup> - ELV 120V<br><b>RTRI</b> <sup>14</sup> - TRIAC 120V<br><b>RLDE1</b> <sup>15</sup> - Lutron Hi-lume 1% Eco<br><br><sup>13</sup> Remote driver boxes (RDB) are provided. Multiple RDBs may be required. See page 3 for details.<br><sup>14</sup> Available with 120V only.<br><sup>15</sup> On-site commissioning is required.<br><sup>16</sup> For emergency battery, code will be like the following example: RD1+EB |  |  |
| <b>18W</b> <sup>8</sup> - 18 W output, up to 1205 lm   | <b>18W</b> <sup>8</sup> - 18 W output, up to 1205 lm  | <b>18W</b> <sup>8</sup> - 18 W output, up to 1050 lm  | <b>SD1</b> - Single 0-10V input<br><b>SELV</b> <sup>12</sup> - ELV 120V<br><b>STRI</b> <sup>12</sup> - TRIAC 120V   | <b>RSD1</b> - Single 0-10V input<br><b>RSELV</b> <sup>14</sup> - ELV 120V<br><b>RSTRI</b> <sup>14</sup> - TRIAC 120V   |  |  |

| ACCESSORIES *<br><small>See page 6 for details</small>   | TRIM STYLE<br><small>Specify same as Housing</small>  | LENS *<br><small>See page 6 for details</small>  | BAFFLE FINISH<br><small>Specify NA for Pinhole</small>  | TRIM FLANGE FINISH <sup>20</sup><br><small>Specify NA for Bevel Trimless &amp; Wall Wash Trimless</small>   | OPTION<br><small>Specify NA for Wall Wash</small>   |
|--|---|--|---|---|---|
| <b>At light element</b> <sup>17, 18</sup><br>(choose up to 2 options for SW/FS and 1 option for SOLA)<br>Specify NA for Wall Wash<br><br><b>LSDL</b> - Soft diffused lens, Solite<br><b>LFDL</b> - Frosted diffused lens<br><b>LS</b> - Linear spread<br><b>HEX</b> <sup>19</sup> - Hex louver<br><b>NA</b> - None<br><br><sup>17</sup> Separate codes with a "*" if more than one is specified, e.g. LSDL+LS.<br><sup>18</sup> LSDL and LFDL cannot be combined. LS and HEX cannot be combined.<br><sup>19</sup> Not available with 80°/90° beam options. | <b>TRM</b> - Flanged trim<br><b>TLMP</b> - Trimless drywall mudplate<br><b>TLMW</b> - Trimless millwork | <b>At baffle</b><br>(choose 1 option)<br>Specify NOL for Pinhole & WW for Wall Wash<br><br><b>SDL</b> - Soft diffused lens, Solite<br><b>FDL</b> - Frosted diffused lens<br><b>CL</b> - Clear lens<br><b>NOL</b> - No lens<br><b>WW</b> - Wall wash diffuser | <b>FTMW</b> - Textured matte white<br><b>FTMB</b> - Textured matte black<br><b>FSPC</b> - Specular<br><b>FSSPC</b> - Semi-specular<br><b>FCHP</b> - Champagne<br><b>CF#</b> - Custom finish, specify RAL#<br><b>NA</b> - Not applicable<br><br><sup>20</sup> A trim flange finish option must be specified for pinhole. See page 5 for details. | <b>FTMW</b> - Textured matte white<br><b>FTMB</b> - Textured matte black<br><b>FSPC</b> - Specular<br><b>FSSPC</b> - Semi-specular<br><b>FCHP</b> - Champagne<br><b>CF#</b> - Custom finish, specify RAL#<br><b>NA</b> - Not applicable<br><br><sup>20</sup> A trim flange finish option must be specified for pinhole. See page 5 for details. | <b>WET</b> <sup>21</sup> - Wet location<br><b>NA</b> - None<br><br><sup>21</sup> Must be specified with the bevel (AE3MRRB or AE3MRRAB), flanged trim (TRM), and either SDL, FDL, or CL lens options. |

\* LSDL or LFDL at light element cannot be combined with SDL or FDL at baffle.

www.lumenwerx.com  
T (514) 225-4304

© Lumenwerx, ULC. All rights reserved.



Lumenwerx reserves the right to modify product specifications without notification.  
AERA3-MULTI-APERTURE-ROUND-SPEC-REV6 April 22, 2024



# AERA 3" MULTI-APERTURE ROUND RECESSED



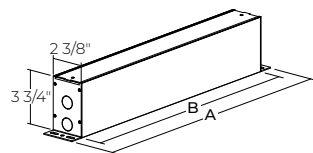
## Housing

| INSTALLATION TYPES                                |                                |          |          |          |
|---|--------------------------------|----------|----------|----------|
| OF - Open Frame Type Non-IC                       |                                |          |          |          |
|   | 1X2                            | 1X3      | 1X4      | 2X2      |
|   |                                |          |          |          |
| A   | 20 3/16"                       | 28 3/16" | 36 3/16" | 20 3/16" |
| B   |                                | 13 1/4"  |          | 21 1/4"  |
| C   | 6"                             |          |          |          |
| D   | 8" (center-to-center spacing)  |          |          |          |
| E   | 5 1/2" (center-to-end spacing) |          |          |          |
| IC - Type-IC / CP - Chicago Plenum Type-IC (CCEA) |                                |          |          |          |
|   | 1X2                            | 1X3      | 1X4      | 2X2      |
|   |                                |          |          |          |
| A   | 20 3/16"                       | 28 3/16" | 36 3/16" | 20 3/16" |
| B   |                                | 11"      |          | 19"      |
| C   | 6 7/16"                        |          |          |          |
| D   | 8" (center-to-center spacing)  |          |          |          |
| E   | 5 1/2" (center-to-end spacing) |          |          |          |

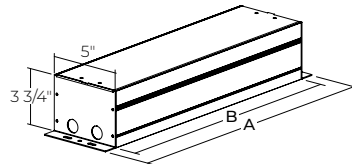
- For OF, IC, and CP installation types with remote dimming, a remote driver box is provided.

### REMOTE DRIVER BOX

RDB8 / RDB18 / RDB24



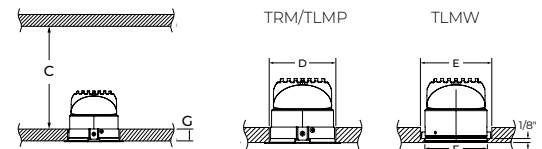
RDB24W



|        | RDB8   | RDB18  | RDB24  | RDB24W   |
|--------|--|--|--|--|
| A      | 10"  | 20"  | 26"  | 26"  |
| B      | 8"   | 18"  | 24"  | 24"  |
| DRIVER | <b>RD1</b> - 1% 0-10V<br><b>RELV</b> - ELV 120V<br><b>RTRI</b> - TRIAC 120V<br><br><b>SOLA</b><br><b>RSD1</b> - Single 0-10V input<br><b>RSELV</b> - ELV 120V<br><b>RSTRI</b> - TRIAC 120V | <b>RLDE1</b> - Lutron Hi-lume 1% Eco<br><b>RDA</b> - DALI<br><b>RELD1</b> - eldoLED 1% ECOdrive 0-10V<br><b>RELD0</b> - eldoLED 0.1% SOLOdrive 0-10V | Emergency battery (+EB) with the following driver options.<br><b>RD1+EB</b> - 1% 0-10V<br><b>RELV+EB</b> - ELV 120V<br><b>RTRI+EB</b> - TRIAC 120V | Emergency battery (+EB) with the following driver options.<br><b>RLDE1+EB</b> - Lutron Hi-lume 1% Eco<br><b>RDA+EB</b> - DALI<br><b>RELD1+EB</b> - eldoLED 1% ECOdrive 0-10V<br><b>RELD0+EB</b> - eldoLED 0.1% SOLOdrive 0-10V |

- Multiple remote driver boxes may be required for multiple light modules.

### PLENUM CLEARANCE & CUT-OUT DIMENSIONS



| PLENUM CLEARANCE HEIGHT   |                      |                         |        |
|---------------------------|----------------------|-------------------------|--------|
| REMOTE & INTEGRAL         |                      |                         |        |
|                           | OF                   | IC                      | CP     |
| C                         | 6"                   | 6 7/16"                 |        |
| CUT-OUT DIMENSIONS        |                      |                         |        |
| D                         | TRM/TLMP             | Ø 3 1/2"                |        |
| E                         | TLMW                 | Ø 3 1/2"                |        |
| F                         |                      | Ø 3 1/16" with 1/8" lip |        |
| MAXIMUM CEILING THICKNESS |                      |                         |        |
|                           | RECESSED RECESSED WW | RECESSED ADJ.           |        |
| G                         | TRM/ TLMP            | 13/8"                   | 1 1/2" |
|                           | TLMW                 | 5/8"                    |        |

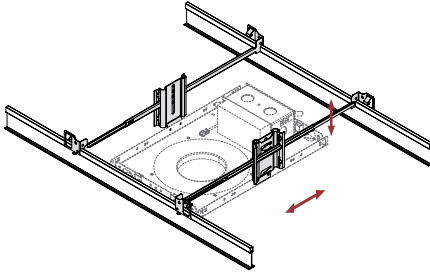
# AERA 3" MULTI-APERTURE ROUND RECESSED



## Housing

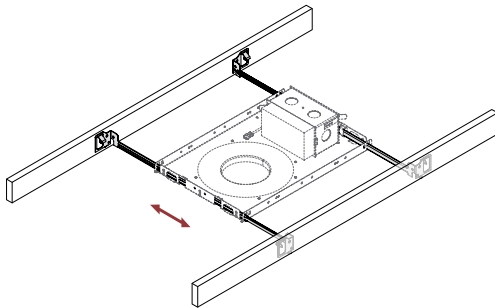
### MOUNTING OPTIONS

#### ASB - Adjustable Standard Bar Hangers



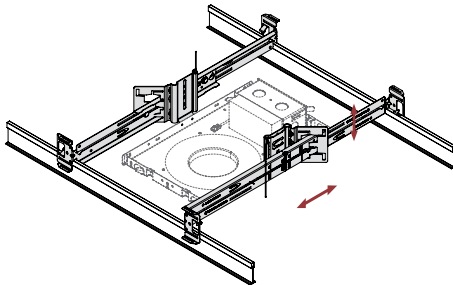
Adjustable Standard Bar hangers can be used in both commercial and residential applications and are adjustable to various heights in both Grid Ceiling and Drywall mounting. ASB hangers are less rigid and versatile than ACB hangers.

#### FMB - Flush Mount Bars



Flush Mount Bars are best used in residential applications, fitting snug to the surface and suitable for Wood, Metal, and Drywall mounting. The flush mounted bars are static and can't be adjusted.

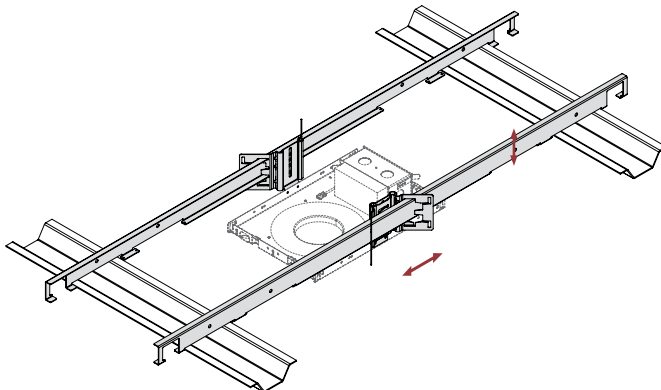
#### ACB - Adjustable Commercial Bar Hangers



Adjustable Commercial Bar hangers can be used in both commercial and residential applications and are by far the most versatile mounting bar we offer with its adjustability to various heights. ACB hangers are suitable for Grid Ceiling, Drywall, Metal, Wood and Frame mounting.

- Extremely rigid
- Fits into C-Channel notches in a Butterfly Bracket

#### AHC - Adjustable Hat Channel Bars



Adjustable Hat Channel bars can be used in both commercial and residential applications and come with a butterfly clip to adjust to various heights. AHC bars can be hung downward by 90 degrees in vertical position, and once wired, can be shifted onto the horizontal mounting plane. AHC bars are suitable for both Drywall and wood ceiling applications.

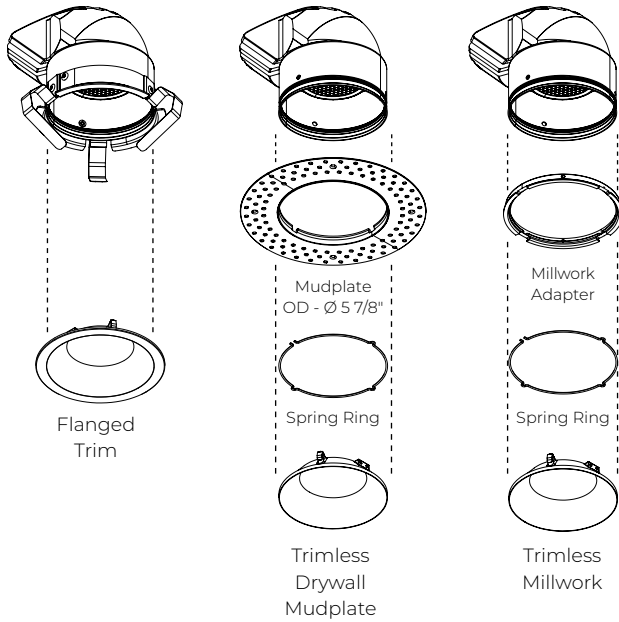
# AERA 3" MULTI-APERTURE

## ROUND RECESSED

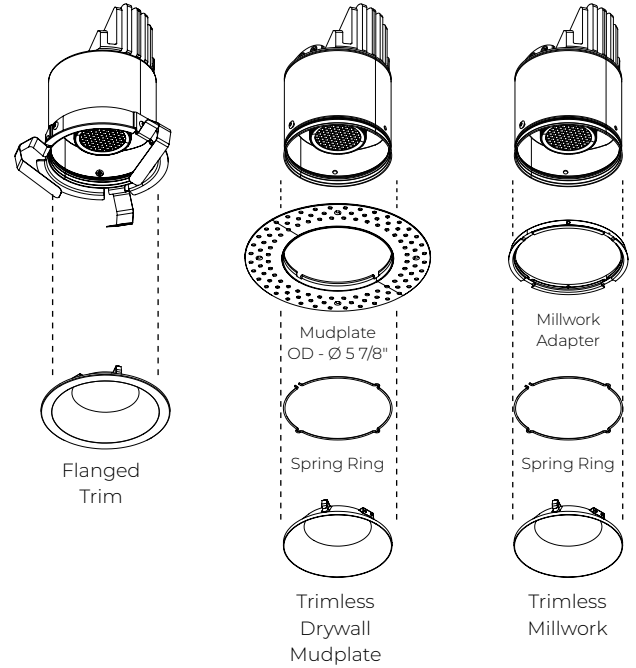


### Light & Baffle

RECESSED



RECESSED ADJUSTABLE



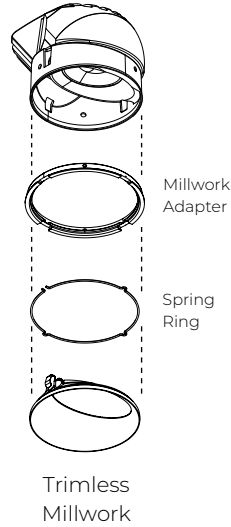
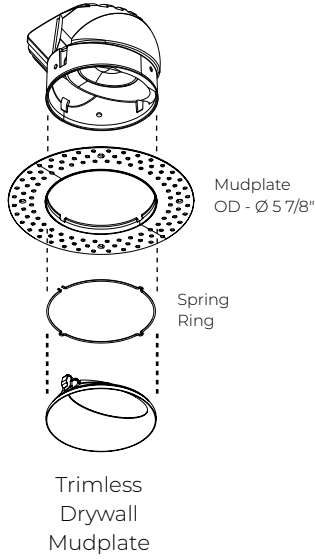
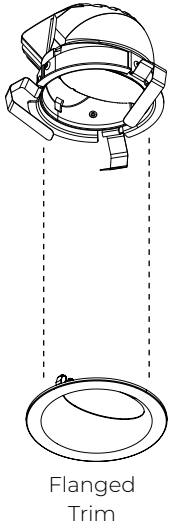
| Bevel                      |   | Pinhole                    |   |
|----------------------------|---|----------------------------|---|
| <b>TRM</b><br>Flanged Trim | <b>TLMP/TLMW</b><br>Trimless Drywall Mudplate<br>/Trimless Millwork | <b>TRM</b><br>Flanged Trim | <b>TLMP/TLMW</b><br>Trimless Drywall Mudplate<br>/Trimless Millwork |
|                            |   |                            |   |
|                            |   |                            |   |
|                            |   |                            |   |

# AERA 3" MULTI-APERTURE ROUND RECESSED

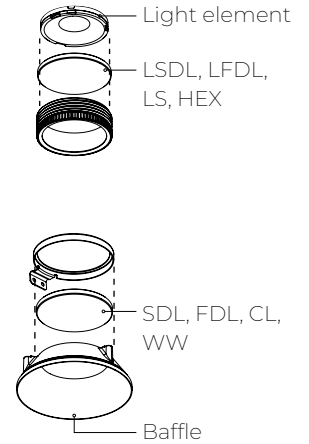


## Light & Baffle

### RECESSED WALL WASH



### LENS AND ACCESSORIES



| Wall Wash  |  |
|--|--|
| TRM<br>Flanged Trim                              | TLMP/TLMW<br>Trimless Drywall Mudplate<br>/Trimless Millwork |
|  |  |
| <p> Baffle finish</p> <p> Trim flange finish</p> |  |
|  |  |

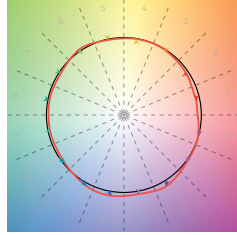
# AERA 3" MULTI-APERTURE ROUND RECESSED



## Color Quality

### COLOR QUALITY - 3500K

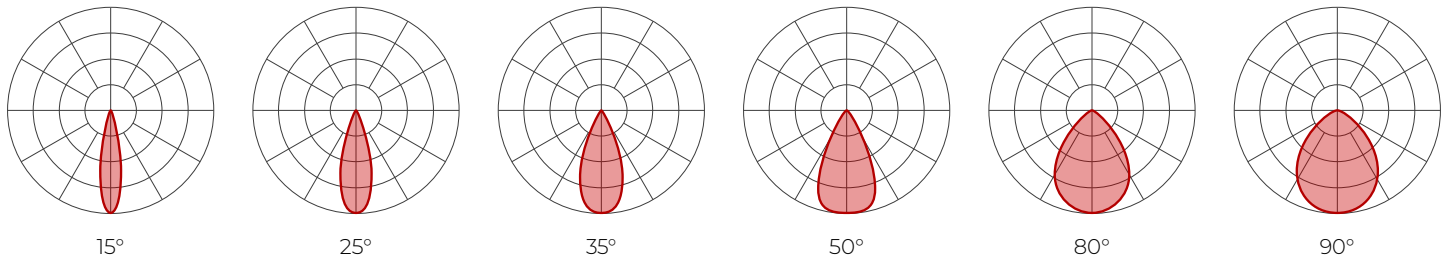
|                      |      |
|----------------------|------|
| TM-30 R <sub>r</sub> | 90   |
| TM-30 R <sub>g</sub> | 100  |
| CRI                  | 90   |
| R9                   | > 50 |



## Photometrics

### RECESSED - STATIC WHITE

Values calculated based on 3500K, bevel baffle, and SDL lens option. All values are per light.



### Delivered lumens

| CRI  | 90 CRI |      |      |      |      |      | 95 CRI |      |      |      |      |      | 80 CRI |      |      |      |      |      |
|------|--------|------|------|------|------|------|--------|------|------|------|------|------|--------|------|------|------|------|------|
|      | 15°    | 25°  | 35°  | 50°  | 80°  | 90°  | 15°    | 25°  | 35°  | 50°  | 80°  | 90°  | 15°    | 25°  | 35°  | 50°  | 80°  | 90°  |
| 10 W | 987    | 1053 | 1058 | 937  | 843  | 843  | 760    | 811  | 815  | 721  | 649  | 649  | 1056   | 1127 | 1132 | 1003 | 902  | 902  |
| 14 W | 1347   | 1438 | 1444 | 1280 | 1152 | 1152 | 1037   | 1107 | 1112 | 986  | 887  | 887  | 1441   | 1539 | 1545 | 1370 | 1233 | 1233 |
| 20 W | 1861   | 1986 | 1995 | 1768 | 1591 | 1591 | 1433   | 1529 | 1536 | 1361 | 1225 | 1225 | 1991   | 2125 | 2135 | 1892 | 1703 | 1703 |

### Efficacy

| CRI  | 90 CRI |     |     |     |     |     | 95 CRI |     |     |     |     |     | 80 CRI |     |     |     |     |     |
|------|--------|-----|-----|-----|-----|-----|--------|-----|-----|-----|-----|-----|--------|-----|-----|-----|-----|-----|
|      | 15°    | 25° | 35° | 50° | 80° | 90° | 15°    | 25° | 35° | 50° | 80° | 90° | 15°    | 25° | 35° | 50° | 80° | 90° |
| 10 W | 99     | 105 | 106 | 94  | 84  | 84  | 76     | 81  | 81  | 72  | 65  | 65  | 106    | 113 | 113 | 100 | 90  | 90  |
| 14 W | 96     | 103 | 103 | 91  | 82  | 82  | 74     | 79  | 79  | 70  | 63  | 63  | 103    | 110 | 110 | 98  | 88  | 88  |
| 20 W | 93     | 99  | 100 | 88  | 80  | 80  | 72     | 76  | 77  | 68  | 61  | 61  | 100    | 106 | 107 | 95  | 85  | 85  |

### MULTIPLIERS

Please follow the multiplier tables to ensure correct lumen value. Beams, CCT, baffle styles, baffle colors, lensing and accessories will change the lumen value.

| CCT   | BAFFLE STYLE AND COLOR | LENS * (At baffle)               | ACCESSORIES * (At light element)  |
|-------|------------------------|----------------------------------|-----------------------------------|
| 2700K | Flanged trim           | SDL - Soft diffused lens, Solite | LSDL - Soft diffused lens, Solite |
| 3000K | Trimless               | FDL - Frosted lens               | LFDL - Frosted lens               |
| 3500K | Bevel                  | CL - Clear lens                  | LS - Linear spread                |
| 4000K | Wet bevel              | NOL - No lens                    | HEX - Hex louver                  |
|       | Pinhole                |                                  |                                   |
|       | White                  |                                  |                                   |
|       | Black                  |                                  |                                   |

\* When more than one lens or accessory is specified, multiply together the value of each lens and/or accessory.  
e.g. NOL + LSDL + LS = 1.1 x 1 x 0.84 = 0.924

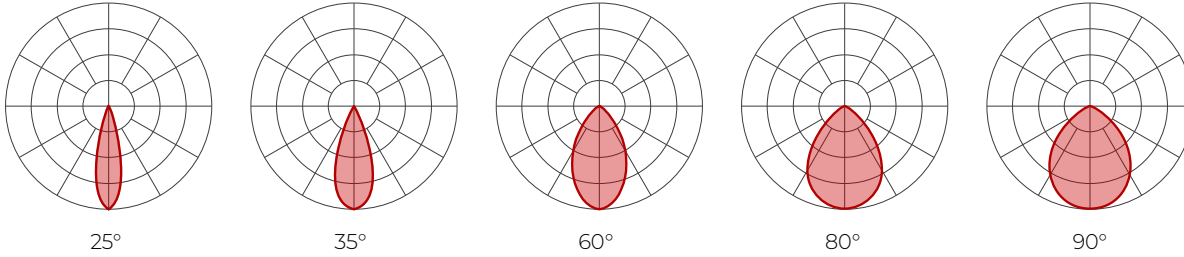
# AERA 3" MULTI-APERTURE ROUND RECESSED



## Photometrics

### RECESSED - SOLA

Values calculated based on bevel baffle and SDL lens option. All values are per light.



### SOLA

| BEAM |       | 25°  |      | 35°  |      | 60°  |      | 80° |      | 90° |      |
|------|-------|------|------|------|------|------|------|-----|------|-----|------|
|      |       | lm   | lm/W | lm   | lm/W | lm   | lm/W | lm  | lm/W | lm  | lm/W |
| 18 W | 3000K | 1150 | 64   | 1205 | 67   | 1100 | 61   | 945 | 53   | 870 | 48   |
|      | 2700K | 1150 | 64   | 1205 | 67   | 1100 | 61   | 945 | 53   | 870 | 48   |

### MULTIPLIERS

Please follow the multiplier tables to ensure correct lumen value. Beams, CCT, baffle styles, baffle colors, lensing and accessories will change the lumen value.

| BAFFLE STYLE AND COLOR |      | LENS * (At baffle)   |     | ACCESSORIES * (At light element)  |      |
|------------------------|------|--|-----|-----------------------------------|------|
| Flanged trim           | 1    | SDL - Soft diffused lens, Solite   | 1   | LSDL - Soft diffused lens, Solite | 1    |
| Trimless               | 1    | FDL - Frosted lens   | 0.8 | LFDL - Frosted lens               | 0.8  |
| Bevel                  | 1    | CL - Clear lens  | 1.1 | LS - Linear spread                | 0.84 |
| Wet bevel              | 1    | NOL - No lens  | 1.1 | HEX - Hex louver                  | 0.86 |
| Pinhole                | 0.92 | * When more than one lens or accessory is specified, multiply together the value of each lens and/or accessory.<br>e.g. NOL + LSDL = 1.1 x 1 = 1.1 |     |                                   |      |
| White                  | 1    |  |     |                                   |      |
| Black                  | 1    |  |     |                                   |      |



# AERA 3" MULTI-APERTURE

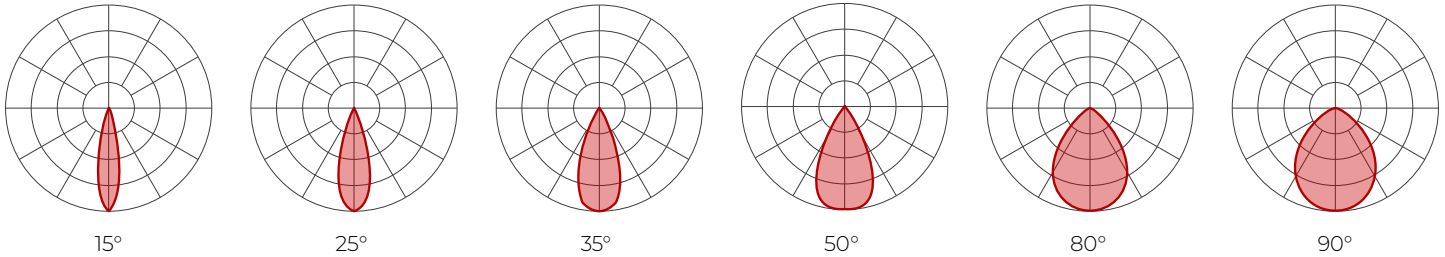
## ROUND RECESSED



### Photometrics

#### RECESSED ADJUSTABLE - STATIC WHITE

Values calculated based on 3500K, bevel baffle, and SDL lens option. All values are per light.



#### Delivered lumens

| BEAM | 90 CRI |      |      |      |      |      | 95 CRI |      |      |      |      |      | 80 CRI |      |      |      |      |      |
|------|--------|------|------|------|------|------|--------|------|------|------|------|------|--------|------|------|------|------|------|
|      | 15°    | 25°  | 35°  | 50°  | 80°  | 90°  | 15°    | 25°  | 35°  | 50°  | 80°  | 90°  | 15°    | 25°  | 35°  | 50°  | 80°  | 90°  |
| 10 W | 893    | 953  | 957  | 848  | 763  | 763  | 688    | 734  | 737  | 653  | 588  | 588  | 956    | 1020 | 1024 | 907  | 817  | 817  |
| 14 W | 1179   | 1259 | 1264 | 1120 | 1008 | 1008 | 908    | 969  | 973  | 862  | 776  | 776  | 1262   | 1347 | 1352 | 1198 | 1079 | 1079 |
| 20 W | 1675   | 1787 | 1796 | 1591 | 1432 | 1432 | 1290   | 1376 | 1382 | 1225 | 1103 | 1103 | 1792   | 1913 | 1922 | 1703 | 1533 | 1533 |

#### Efficacy

| BEAM | 90 CRI |     |     |     |     |     | 95 CRI |     |     |     |     |     | 80 CRI |     |     |     |     |     |
|------|--------|-----|-----|-----|-----|-----|--------|-----|-----|-----|-----|-----|--------|-----|-----|-----|-----|-----|
|      | 15°    | 25° | 35° | 50° | 80° | 90° | 15°    | 25° | 35° | 50° | 80° | 90° | 15°    | 25° | 35° | 50° | 80° | 90° |
| 10 W | 89     | 95  | 96  | 85  | 76  | 76  | 69     | 73  | 74  | 65  | 59  | 59  | 96     | 102 | 102 | 91  | 82  | 82  |
| 14 W | 84     | 90  | 90  | 80  | 72  | 72  | 65     | 69  | 70  | 62  | 55  | 55  | 90     | 96  | 97  | 86  | 77  | 77  |
| 20 W | 84     | 89  | 90  | 80  | 72  | 72  | 64     | 69  | 69  | 61  | 55  | 55  | 90     | 96  | 96  | 85  | 77  | 77  |

#### MULTIPLIERS

Please follow the multiplier tables to ensure correct lumen value. Beams, CCT, baffle styles, baffle colors, lensing and accessories will change the lumen value.

| CCT   |      | BAFFLE STYLE AND COLOR |      | LENS * (At baffle)   |     | ACCESSORIES * (At light element)  |      |
|-------|------|------------------------|------|--|-----|-----------------------------------|------|
| 2700K | 0.9  | Flanged trim           | 1    | SDL - Soft diffused lens, Solite   | 1   | LSDL - Soft diffused lens, Solite | 1    |
| 3000K | 0.95 | Trimless               | 1    | FDL - Frosted lens   | 0.8 | LFDL - Frosted lens               | 0.8  |
| 3500K | 1    | Bevel                  | 1    | CL - Clear lens  | 1.1 | LS - Linear spread                | 0.84 |
| 4000K | 1.05 | Wet bevel              | 1    | NOL - No lens  | 1.1 | HEX - Hex louver                  | 0.86 |
|       |      | Pinhole                | 0.92 | * When more than one lens or accessory is specified, multiply together the value of each lens and/or accessory.<br>e.g. NOL + LSDL + LS = 1.1 x 1 x 0.84 = 0.924 |     |                                   |      |
|       |      | White                  | 1    |  |     |                                   |      |
|       |      | Black                  | 1    |  |     |                                   |      |

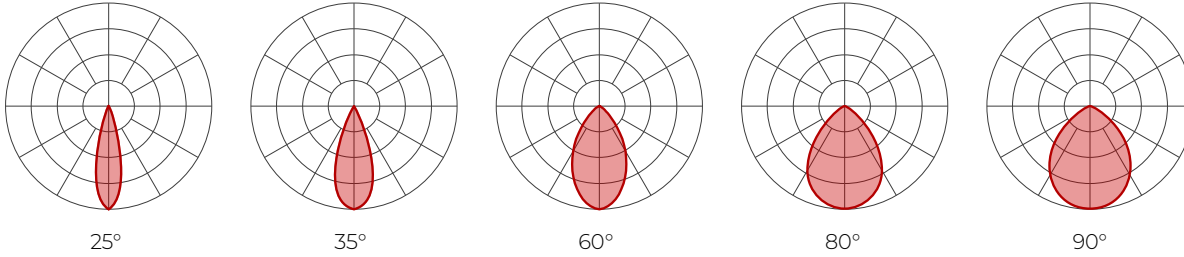
# AERA 3" MULTI-APERTURE ROUND RECESSED



## Photometrics

### RECESSED ADJUSTABLE - SOLA

Values calculated based on bevel baffle and SDL lens option. All values are per light.



### SOLA

| BEAM |       | 25°  |      | 35°  |      | 60°  |      | 80° |      | 90° |      |
|------|-------|------|------|------|------|------|------|-----|------|-----|------|
|      |       | lm   | lm/W | lm   | lm/W | lm   | lm/W | lm  | lm/W | lm  | lm/W |
| 18 W | 3000K | 1150 | 64   | 1205 | 67   | 1100 | 61   | 945 | 53   | 870 | 48   |
|      | 2700K | 1150 | 64   | 1205 | 67   | 1100 | 61   | 945 | 53   | 870 | 48   |

### MULTIPLIERS

Please follow the multiplier tables to ensure correct lumen value. Beams, CCT, baffle styles, baffle colors, lensing and accessories will change the lumen value.

| BAFFLE STYLE AND COLOR |      | LENS * (At baffle)  |     | ACCESSORIES * (At light element)  |      |
|------------------------|------|---|-----|-----------------------------------|------|
| Flanged trim           | 1    | SDL - Soft diffused lens, Solite  | 1   | LSDL - Soft diffused lens, Solite | 1    |
| Trimless               | 1    | FDL - Frosted lens  | 0.8 | LFDL - Frosted lens               | 0.8  |
| Bevel                  | 1    | CL - Clear lens   | 1.1 | LS - Linear spread                | 0.84 |
| Wet bevel              | 1    | NOL - No lens   | 1.1 | HEX - Hex louver                  | 0.86 |
| Pinhole                | 0.92 | * When more than one lens or accessory is specified, multiply together the value of each lens and/or accessory. e.g. NOL + LSDL = 1.1 x 1 = 1.1 |     |                                   |      |
| White                  | 1    |   |     |                                   |      |
| Black                  | 1    |   |     |                                   |      |

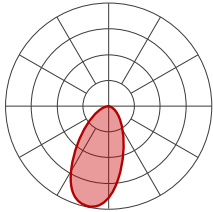
# AERA 3" MULTI-APERTURE ROUND RECESSED



## Photometrics

### RECESSED WALL WASH

Values calculated with white wall wash baffle, and based on 3500K for static white. All values are per light.



#### STATIC WHITE

|      | 90 CRI |      | 95 CRI |      | 80 CRI |      |
|------|--------|------|--------|------|--------|------|
|      | lm     | lm/W | lm     | lm/W | lm     | lm/W |
| 10 W | 562    | 56   | 433    | 43   | 601    | 60   |
| 14 W | 768    | 55   | 591    | 42   | 822    | 59   |
| 20 W | 1061   | 53   | 817    | 41   | 1135   | 57   |

#### SOLA

|      |       | lm   |      |
|------|-------|------|------|
|      |       | lm   | lm/W |
| 18 W | 3000K | 1050 | 58   |
|      | 2700K | 1050 | 58   |

### MULTIPLIERS

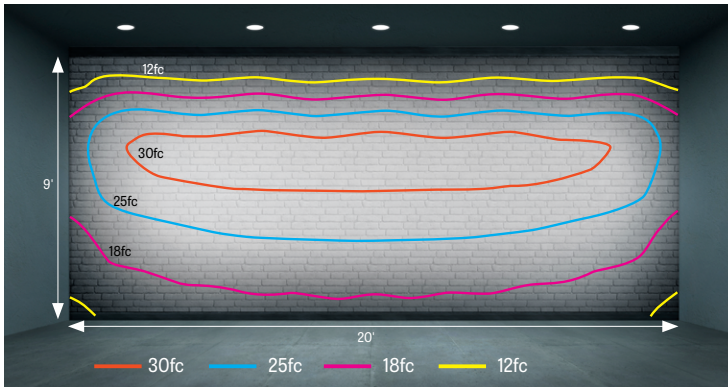
Please follow the multiplier tables to ensure correct lumen value. CCT and baffle colors will change the lumen value.

| CCT          |      | BAFFLE STYLE AND COLOR |   |
|--------------|------|------------------------|---|
| STATIC WHITE |      | Flanged trim           | 1 |
| 2700K        | 0.9  | Trimless               | 1 |
| 3000K        | 0.95 | White                  | 1 |
| 3500K        | 1    | Black                  | 1 |
| 4000K        | 1.05 |                        |   |

### UNIFORMITY

Values calculated based on 3500K and white wall wash baffle.

24" from Wall - 36" Spacing



### Foot-candles

| FC ON WALL           | 24" FROM WALL - 24" SPACING |        |        | 24" FROM WALL - 36" SPACING |        |        | 24" FROM WALL - 48" SPACING |        |        |    |
|----------------------|-----------------------------|--------|--------|-----------------------------|--------|--------|-----------------------------|--------|--------|----|
|                      | 90 CRI                      | 95 CRI | 80 CRI | 90 CRI                      | 95 CRI | 80 CRI | 90 CRI                      | 95 CRI | 80 CRI |    |
| ABOVE FINISHED FLOOR | 9'                          | 10     | 7      | 10                          | 6      | 5      | 7                           | 5      | 4      | 5  |
|                      | 8'                          | 40     | 31     | 43                          | 25     | 19     | 27                          | 19     | 15     | 21 |
|                      | 7'                          | 54     | 41     | 57                          | 35     | 27     | 37                          | 27     | 20     | 28 |
|                      | 6'                          | 46     | 35     | 49                          | 30     | 23     | 32                          | 23     | 18     | 25 |
|                      | 5'                          | 34     | 26     | 37                          | 23     | 18     | 25                          | 17     | 13     | 19 |
|                      | 4'                          | 26     | 20     | 28                          | 18     | 14     | 19                          | 13     | 10     | 14 |
|                      | 3'                          | 21     | 16     | 22                          | 14     | 11     | 15                          | 11     | 8      | 11 |
|                      | 2'                          | 17     | 13     | 18                          | 12     | 9      | 12                          | 9      | 7      | 9  |
|                      | 1'                          | 15     | 11     | 16                          | 10     | 8      | 11                          | 8      | 6      | 8  |

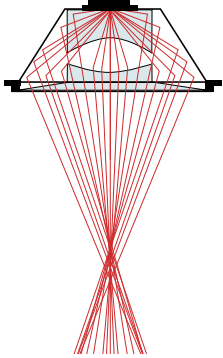
# AERA 3" MULTI-APERTURE ROUND RECESSED



## Technical Specifications

### OPTIC

XPoint™ Refraction Technology optics provide precise optical control in a remarkably compact form. Micro optical paths from the chip on board converge and then disperse in precise beam angles, resulting in a crisp and exacting light quality.



### LIGHT SOURCE

#### Static white

Compact COB (Chip-On-Board) LED module, available in 2700K, 3000K, 3500K and 4000K with a choice of 80 CRI, 90 CRI, or 95 CRI, with elevated R9 value for 90 CRI and above. Color consistency is maintained to within 2 SDCM. All LEDs have been tested in accordance with IESNA LM-80-08 and the results have shown L80 lumen maintenance greater than 60,000 hours. Absolute product photometry is measured and presented in accordance with IESNA LM-79, unless otherwise indicated.

#### Full spectrum

The full spectrum LED option offers improved color particularly in the cyan region which helps increase Cyanosis Observation Index (COI) and assist in regulating circadian rhythms. The cyan region in full spectrum LED is richer at the 480 nm range.

#### Chromawerx SOLA

Chromawerx SOLA is single-channel control that dims output while warming the color temperature in a pre-determined relationship. Two color temperature range options are offered: 3000K to 1800K, and 2700K to 1800K. A simple analog control adjusts a specially populated LED array to emulate the effect of dimming a filament source.

### ELECTRICAL

Unless otherwise specified, dimming down to 1%. At maximum driver load: efficiency > 84%, PF > 0.9, THD < 20%.

**Integral:** 0-10V, ELV, TRIAC

**Remote:** 0-10V, ELV, TRIAC, Lutron Hi-Lume 1% EcoSystem, DALI, eldoLED 0.1% SOLOdrive 0-10V, eldoLED 1% ECOdrive 0-10V

**Emergency battery options:** Remotely-installed, long-life, high-temperature, maintenance-free, Bodine Lithium-Ion battery pack with self-test functionality, test switch and charge indicator. IOTA and Fulham options available upon request. Minimum of 90 minutes operation, and recharge time of 24 hours. For fixtures less than 10 W, the battery provides 6 W of emergency light output. For fixtures 10 W and over, the battery provides 10 W.

### PoE

Depending on the PoE manufacturer selected, Lumenwerx will install the node in factory as either integral to the luminaire or as a remote module. Factory programming of the PoE node may or may not enable the following functionalities: lumen package, DUO (tunable white), QUADRO (RGBW), emergency battery backup, and sensor integration. These must be addressed and evaluated on a case-by-case basis.

### CONSTRUCTION

#### Housing

For new construction, 20 gauge powder coated steel. Open frame, type-IC, or Chicago Plenum (CCEA) rated. 18 gauge galvanized steel junction box with ½" trade size knockouts. Adjustable hanger bars and butterfly brackets are included. Adjustable commercial hat channel and flush mounted brackets are also available.

#### Light element

**Adjustability:** Hot aiming, 355° rotation and 35° vertical tilt with shift to ensure beam stays centered (Recessed Adjustable only).

**LED module:** Integral COB module. 90 CRI and 2 SDCM, Standard with options of 80 CRI, or 95 CRI. L80 > 60,000 hours.

**XPoint™ Refraction Technology optic:** Micro optical paths from the chip on board converge and then disperse in precise beam angles, resulting in a crisp and exacting light quality.

**Thermal management:** Cold-forged aluminum heat sink to maximize thermal dissipation.

**Baffle:** Die-cast aluminum mounted with retaining spring clips

**Trim style:** Trimmed and trimless with mudplate or millwork adapter

### WEIGHT

|       | Open frame        | Type-IC / Chicago Plenum |
|-------|-------------------|--------------------------|
| 1 X 2 | 9.5 lbs - 4.3 kg  | 12.5 lbs - 5.7 kg        |
| 1 X 3 | 13.5 lbs - 6.1 kg | 15.5 lbs - 7.0 kg        |
| 1 X 4 | 17.5 lbs - 7.9 kg | 19.5 lbs - 8.8 kg        |
| 2 X 2 | 19.5 lbs - 8.8 kg | 21.5 lbs - 9.8 kg        |

# AERA 3" MULTI-APERTURE

## ROUND RECESSED



### LENS AND ACCESSORIES

#### Recessed / Recessed adjustable



Soft diffused lens, Solite



Frosted diffused lens



Clear lens



Linear spread



Hex louver

#### Recessed wall wash



Wall wash

### ENVIRONMENT

Ambient temperature at fixture location shall be within 0°C/32°F - 25°C/77°F, indoor dry or damp as well as outdoor damp use (canopies or marquees).

### CERTIFICATIONS

**ETL:** Rated for indoor dry/damp locations. Conforms to UL Standard 1598 and certified to CAN/CSA Standard C22.2 No. 250.0.

**IP44:** IP44 rated for bathrooms, showers, outdoor canopies, and marquees when specified with the wet location (WET) option.

**Chicago Plenum:** City of Chicago approved (CCEA) when specified with CP installation type option.

**IC rated:** Suitable for direct contact with insulation when specified with IC or CP installation type options.

**Declare:** [LBC Red List Approved](#)

### WARRANTY

Lumenwerx provides a five-year limited warranty on electrical and mechanical performance of the luminaires, including the LED boards, drivers, and auxiliary electronics. Lumenwerx will repair or replace defective luminaires or components at our discretion, provided they have been installed and operated in accordance with our specifications. Other limitations apply, please refer to the full warranty on our website.