

AERA 3" MULTI-APERTURE

SQUARE RECESSED



Declare.



1 X 3
Bevel Trimless

Array



Ceiling Types



Installation Types

New Construction (Type Non-IC, Type-IC, CCEA)

Plenum Clearance



Aera recessed multi-apertures are true to size, encased in minimalist housing, and suitable additions to any interior space where outstanding optical performance, maximal eye comfort, and/or an industry-leading wall wash are required.

Beam Angles



Low UGR < 10 in 15°, 25°, 35°, and 50° beams
Recessed Adjustable - Max. tilt 35°

Light Source

Static White
Full Spectrum
SOLA - Dim-to-Warm

COB

2 Step Color Binning
Up to 95 CRI

Driver

1%, 0.1% Dimming Available
0-10V, TRIAC, ELV, Lutron EcoSystem, DALI
Emergency Battery (optional)

Aera Family (Refer to other spec sheets)

Downlight



2" / 3" / 4"
Round / Square
Recessed Adjustable



2" / 3" / 4"
Round / Square
Recessed



2" / 3" / 4"
Round / Square
Recessed Wall Wash

Multi-aperture



2" / 3" / 4"
Round / Square
Recessed Adjustable



2" / 3" / 4"
Round / Square
Recessed



2" / 3" / 4"
Round / Square
Recessed Wall Wash

Cylinder



2" / 3" / 4" / 5"
4" Seal
Pendant

Pendant Asymmetric
Pendant Wall Wash



2" / 3" / 4" / 5"
4" Seal
Wall

Wall Asymmetric



2" / 3" / 4" / 5"
4" Seal
Surface

Surface Asymmetric
Surface Wall Wash

www.lumenwerx.com
T (514) 225-4304

© Lumenwerx, ULC. All rights reserved.



Lumenwerx reserves the right to modify product specifications without notification.

AERA3-MULTI-APERTURE-SQUARE-SPEC-REV6 April 22, 2024



AERA 3" MULTI-APERTURE SQUARE RECESSED



Project: _____

Type: _____

Order Guide

1 - Housing (Example: AE3MSR-1X2M-TRM-OF-ASB)

LUMINAIRE ID ¹	ARRAY	TRIM STYLE	INSTALLATION TYPE	MOUNTING OPTION ³
AE3MSR				
AE3MSR - Aera 3" Multi-aperture Square Recessed ¹ Round recessed also available. Consult other spec sheet.	1X2M - 1 X 2 1X3M - 1 X 3 1X4M - 1 X 4 2X2M - 2 X 2	TRM - Flanged trim TLMP - Trimless drywall mudplate TLMW - Trimless millwork	OF - Open Frame Type Non-IC IC ² - Type-IC CP ² - Chicago Plenum Type-IC (CCEA) ² Not available with 14 W output and higher.	ASB - Adjustable standard bar hangers FMB - Flush mount bars ACB - Adjustable commercial bar hangers AHC - Adjustable hat channel bars NA - None ³ See page 4 for more details.

2 - Module (Example: AE3MSRB-SW-15DEG-2STP-90CRI-27K-120V-10W-D1-LSDL+LS-TRM-CL-FTMW-FTMW-NA)

MODULE (Specify order code for each module)	
M1	1 X 2 2 X 2
M2	1 X 3
M3	
M4	1 X 4

LUMINAIRE ID	LIGHT SOURCE	BEAM <small>Specify WW for Wall Wash</small>	COLOR QUALITY	CRI	COLOR TEMP.	VOLTAGE
AE3MSRB - Aera 3" Square Recessed Bevel AE3MSRAB - Aera 3" Square Recessed Adjustable Bevel AE3MSRWWB - Aera 3" Square Recessed Wall Wash	SW - Static white FS - Full spectrum SOLA - Dim-to-warm single channel control	15DEG - 15° Narrow spot 25DEG - 25° Spot 35DEG - 35° Narrow flood 50DEG - 50° Wide flood 80DEG - 80° Very wide flood 90DEG - 90° Open flood WW - Wall wash	2STP ⁴ - 2 Step MacAdam Ellipse 3STP - 3 Step MacAdam Ellipse 3STP - 3 Step MacAdam Ellipse	90CRI ⁵ - 90 CRI 95CRI - 95 CRI 80CRI ⁵ - 80 CRI ⁵ Not available with full spectrum.	27K - 2700K 30K - 3000K 35K - 3500K 40K - 4000K SOLA 30K18K - 3000K to 1800K 27K18K - 2700K to 1800K	120V - 120V 277V - 277V UNV - 120V-277V 347V ⁶ - 347V ⁶ Available with RD1 driver only. Please consult factory.

WATTAGE PER LIGHT ⁷ DIMMING ^{10, 11}

RECESSED	RECESSED ADJ.	RECESSED WW	INTEGRAL	REMOTE ¹³
10W - 10 W output, up to 1132 lm 14W ⁸ - 14 W output, up to 1545 lm 20W ⁸ - 20 W output, up to 2135 lm ⁷ Lumen outputs are reduced with full spectrum, consult factory. ⁸ Not available with IC/CP. ⁹ Not available with full spectrum.	10W - 10 W output, up to 1024 lm 14W ^{8,9} - 14 W output, up to 1352 lm 20W ^{8,9} - 20 W output, up to 1922 lm	10W - 10 W output, up to 601 lm 14W ⁸ - 14 W output, up to 822 lm 20W ⁸ - 20 W output, up to 1135 lm	D1 - 1% 0-10V ELV ¹² - ELV 120V TRI ¹² - TRIAC 120V ¹⁰ A driver provided per light. ¹¹ PoE (Power-over-Ethernet) compatible. Consult factory for details. ¹² Available with 120V only.	RD1 - 1% 0-10V RELV ¹⁴ - ELV 120V RTRI ¹⁴ - TRIAC 120V RLDE1 ¹⁵ - Lutron Hi-lume 1% Eco ¹³ Remote driver boxes (RDB) are provided. Multiple RDBs may be required. See page 3 for details. ¹⁴ Available with 120V only. ¹⁵ On-site commissioning is required. ¹⁶ For emergency battery, code will be like the following example: RD1+EB
18W ⁸ - 18 W output, up to 1205 lm	18W ⁸ - 18 W output, up to 1205 lm	18W ⁸ - 18 W output, up to 1050 lm	SD1 - Single 0-10V input SELV ¹² - ELV 120V STRI ¹² - TRIAC 120V	RSD1 - Single 0-10V input RSELV ¹⁴ - ELV 120V RSTRI ¹⁴ - TRIAC 120V

ACCESSORIES * <small>See page 6 for details</small>	TRIM STYLE <small>Specify same as Housing</small>	LENS * <small>See page 6 for details</small>	BAFFLE FINISH	TRIM FLANGE FINISH <small>Specify NA for Bevel Trimless & Wall Wash Trimless</small>	OPTION <small>Specify NA for Wall Wash</small>
At light element ^{17, 18} (choose up to 2 options for SW/FS and 1 option for SOLA) Specify NA for Wall Wash LSDL - Soft diffused lens, Solite LFDL - Frosted diffused lens LS - Linear spread HEX ¹⁹ - Hex louver NA - None ¹⁷ Separate codes with a "+" if more than one is specified, e.g. LSDL+LS. ¹⁸ LSDL and LFDL cannot be combined. LS and HEX cannot be combined. ¹⁹ Not available with 80°/90° beam options.	TRM - Flanged trim TLMP - Trimless drywall mudplate TLMW - Trimless millwork	At baffle (choose 1 option) Specify WW for Wall Wash SDL - Soft diffused lens, Solite FDL - Frosted diffused lens CL - Clear lens NOL - No lens WW - Wall wash diffuser	FTMW - Textured matte white FTMB - Textured matte black FSPC - Specular FSSPC - Semi-specular FCHP - Champagne CF# - Custom finish, specify RAL# NA - Not applicable	FTMW - Textured matte white FTMB - Textured matte black FSPC - Specular FSSPC - Semi-specular FCHP - Champagne CF# - Custom finish, specify RAL# NA - Not applicable	WET ²⁰ - Wet location NA - None ²⁰ Must be specified with the bevel (AE3MSRB or AE3MSRAB), flanged trim (TRM), and either SDL, FDL, or CL lens options.

* LSDL or LFDL at light element cannot be combined with SDL or FDL at baffle.



AERA 3" MULTI-APERTURE SQUARE RECESSED



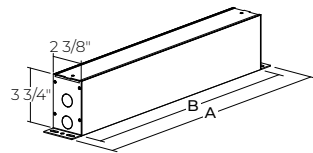
Housing

INSTALLATION TYPES				
OF - Open Frame Type Non-IC				
	1X2	1X3	1X4	2X2
A	20 3/16"	28 3/16"	36 3/16"	20 3/16"
B		13 1/4"		21 1/4"
C	6"			
D	8" (center-to-center spacing)			
E	5 1/2" (center-to-end spacing)			
IC - Type-IC / CP - Chicago Plenum Type-IC (CCEA)				
	1X2	1X3	1X4	2X2
A	20 3/16"	28 3/16"	36 3/16"	20 3/16"
B		11"		19"
C	6 7/16"			
D	8" (center-to-center spacing)			
E	5 1/2" (center-to-end spacing)			

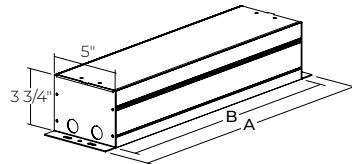
- For OF, IC, and CP installation types with remote dimming, a remote driver box is provided.

REMOTE DRIVER BOX

RDB8 / RDB18 / RDB24



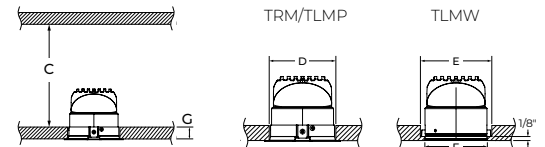
RDB24W



	RDB8	RDB18	RDB24	RDB24W
A	10"	20"	26"	26"
B	8"	18"	24"	24"
DRIVER	RD1 - 1% 0-10V RELV - ELV 120V RTRI - TRIAC 120V SOLA RSD1 - Single 0-10V input RSELV - ELV 120V RSTRI - TRIAC 120V	RLDE1 - Lutron Hi-lume 1% Eco RDA - DALI RELD1 - eldoLED 1% ECOdrive 0-10V RELD0 - eldoLED 0.1% SOLOdrive 0-10V	Emergency battery (+EB) with the following driver options. RD1+EB - 1% 0-10V RELV+EB - ELV 120V RTRI+EB - TRIAC 120V	Emergency battery (+EB) with the following driver options. RLDE1+EB - Lutron Hi-lume 1% Eco RDA+EB - DALI RELD1+EB - eldoLED 1% ECOdrive 0-10V RELD0+EB - eldoLED 0.1% SOLOdrive 0-10V

- Multiple remote driver boxes may be required for multiple light modules.

PLENUM CLEARANCE & CUT-OUT DIMENSIONS



PLENUM CLEARANCE HEIGHT			
REMOTE & INTEGRAL			
	OF	IC	CP
C	6"	6 7/16"	
CUT-OUT DIMENSIONS			
D	TRM/TLMP	3 1/2" x 3 1/2"	
E	TLMW	3 1/2" x 3 1/2"	
F		3 1/16" x 3 1/16" with 1/8" lip	
MAXIMUM CEILING THICKNESS			
	RECESSED RECESSED WW	RECESSED ADJ.	
G	TRM/ TLMP	13/8"	1 1/2"
	TLMW	5/8"	

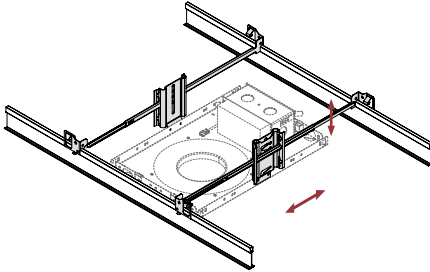
AERA 3" MULTI-APERTURE SQUARE RECESSED



Housing

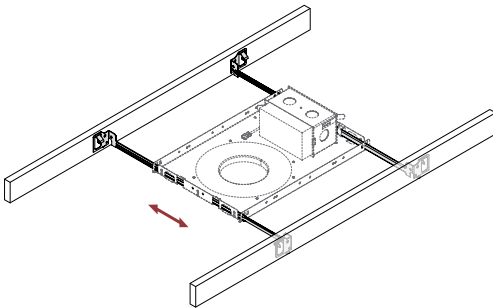
MOUNTING OPTIONS

ASB - Adjustable Standard Bar Hangers



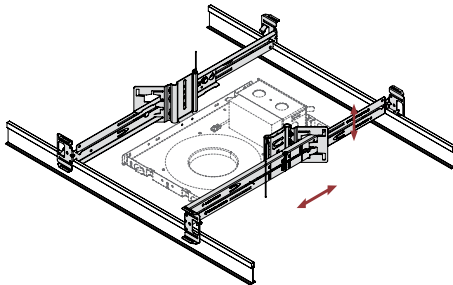
Adjustable Standard Bar hangers can be used in both commercial and residential applications and are adjustable to various heights in both Grid Ceiling and Drywall mounting. ASB hangers are less rigid and versatile than ACB hangers.

FMB - Flush Mount Bars



Flush Mount Bars are best used in residential applications, fitting snug to the surface and suitable for Wood, Metal, and Drywall mounting. The flush mounted bars are static and can't be adjusted.

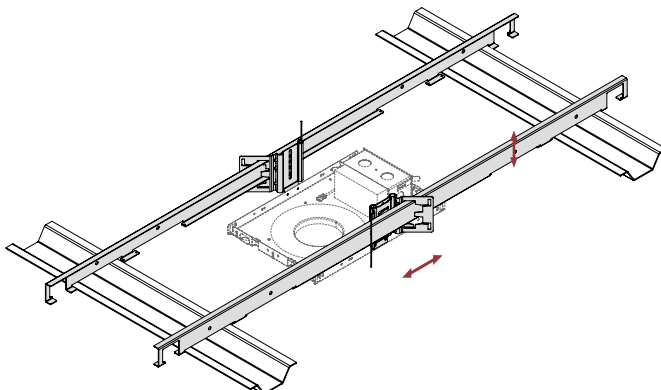
ACB - Adjustable Commercial Bar Hangers



Adjustable Commercial Bar hangers can be used in both commercial and residential applications and are by far the most versatile mounting bar we offer with its adjustability to various heights. ACB hangers are suitable for Grid Ceiling, Drywall, Metal, Wood and Frame mounting.

- Extremely rigid
- Fits into C-Channel notches in a Butterfly Bracket

AHC - Adjustable Hat Channel Bars



Adjustable Hat Channel bars can be used in both commercial and residential applications and come with a butterfly clip to adjust to various heights. AHC bars can be hung downward by 90 degrees in vertical position, and once wired, can be shifted onto the horizontal mounting plane. AHC bars are suitable for both Drywall and wood ceiling applications.

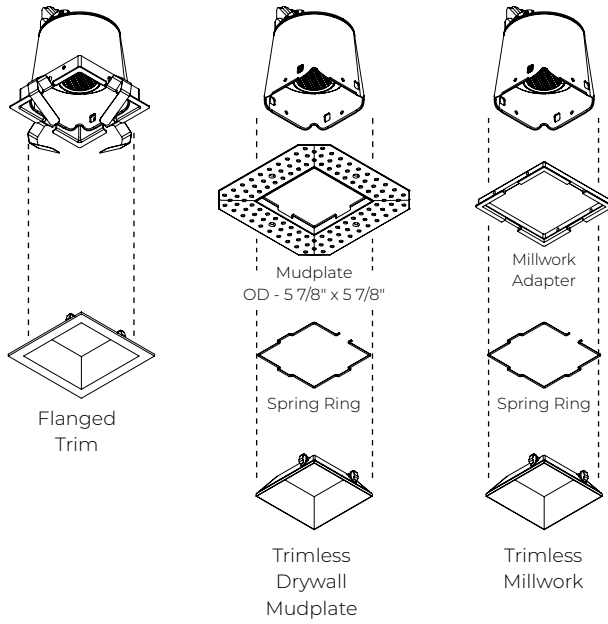
AERA 3" MULTI-APERTURE

SQUARE RECESSED

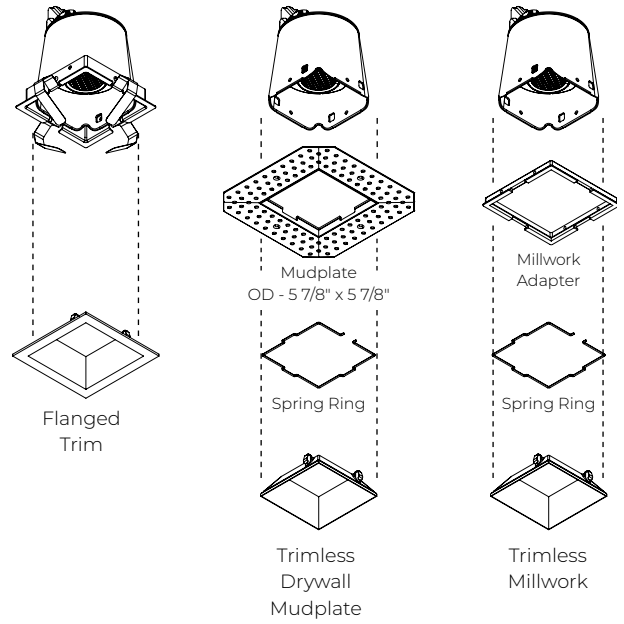


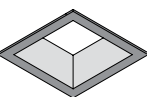
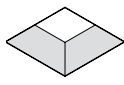
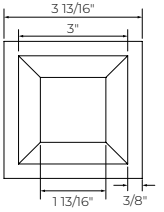
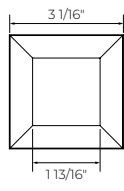
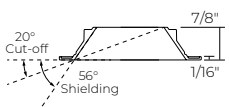
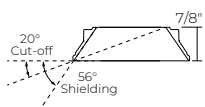
Light & Baffle

RECESSED



RECESSED ADJUSTABLE



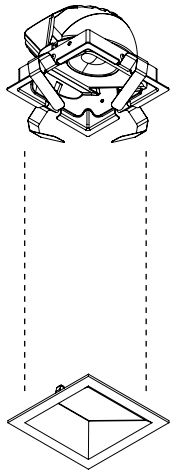
Bevel	
<p>TRM Flanged Trim</p> 	<p>TLMP/TLMW Trimless Drywall Mudplate /Trimless Millwork</p> 
<p>■ Baffle finish</p> <p>■ Trim flange finish</p>	
	
	

AERA 3" MULTI-APERTURE SQUARE RECESSED

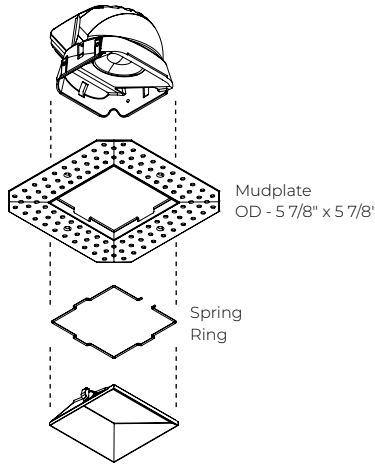


Light & Baffle

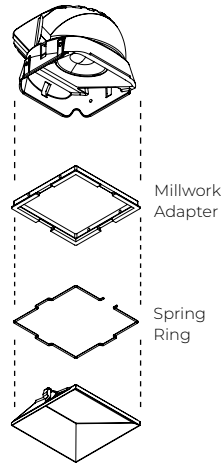
RECESSED WALL WASH



Flanged
Trim

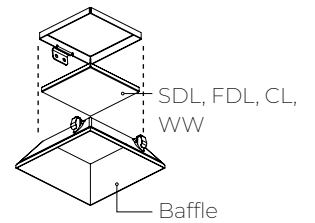
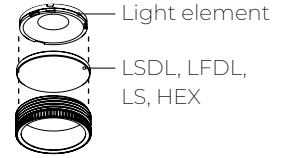


Trimless
Drywall
Mudplate



Trimless
Millwork

LENS AND ACCESSORIES



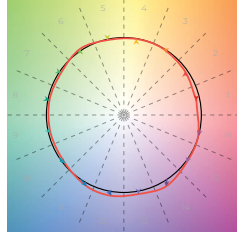
Wall Wash	
TRM Flanged Trim	TLMP/TLMW Trimless Drywall Mudplate /Trimless Millwork
<p>■ Baffle finish</p> <p>■ Trim flange finish</p>	

AERA 3" MULTI-APERTURE SQUARE RECESSED



Color Quality

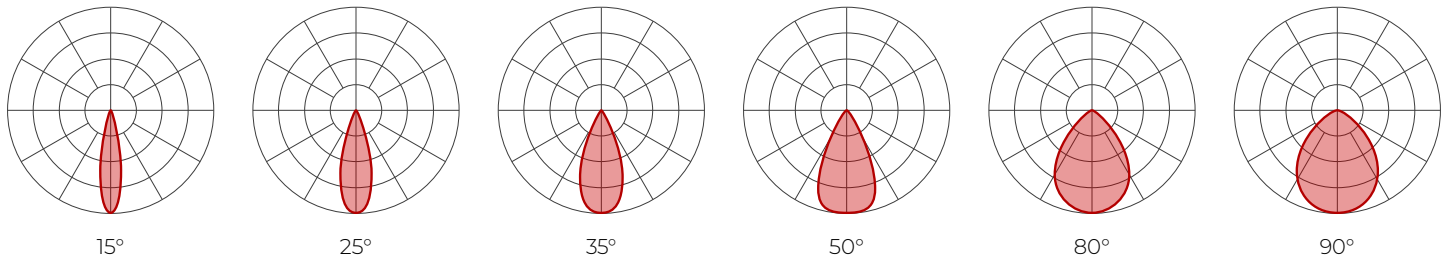
COLOR QUALITY - 3500K	
TM-30 R _r	90
TM-30 R _g	100
CRI	90
R9	> 50



Photometrics

RECESSED - STATIC WHITE

Values calculated based on 3500K, bevel baffle, and SDL lens option. All values are per light.



Delivered lumens

CRI	90 CRI						95 CRI						80 CRI					
	15°	25°	35°	50°	80°	90°	15°	25°	35°	50°	80°	90°	15°	25°	35°	50°	80°	90°
10 W	987	1053	1058	937	843	843	760	811	815	721	649	649	1056	1127	1132	1003	902	902
14 W	1347	1438	1444	1280	1152	1152	1037	1107	1112	986	887	887	1441	1539	1545	1370	1233	1233
20 W	1861	1986	1995	1768	1591	1591	1433	1529	1536	1361	1225	1225	1991	2125	2135	1892	1703	1703

Efficacy

CRI	90 CRI						95 CRI						80 CRI					
	15°	25°	35°	50°	80°	90°	15°	25°	35°	50°	80°	90°	15°	25°	35°	50°	80°	90°
10 W	99	105	106	94	84	84	76	81	81	72	65	65	106	113	113	100	90	90
14 W	96	103	103	91	82	82	74	79	79	70	63	63	103	110	110	98	88	88
20 W	93	99	100	88	80	80	72	76	77	68	61	61	100	106	107	95	85	85

MULTIPLIERS

Please follow the multiplier tables to ensure correct lumen value. Beams, CCT, baffle styles, baffle colors, lensing and accessories will change the lumen value.

CCT	BAFFLE STYLE AND COLOR	LENS * (At baffle)	ACCESSORIES * (At light element)
2700K	Flanged trim	SDL - Soft diffused lens, Solite	LSDL - Soft diffused lens, Solite
3000K	Trimless	FDL - Frosted lens	LFDL - Frosted lens
3500K	Bevel	CL - Clear lens	LS - Linear spread
4000K	Wet bevel	NOL - No lens	HEX - Hex louver
	White		
	Black		

* When more than one lens or accessory is specified, multiply together the value of each lens and/or accessory.
e.g. NOL + LSDL + LS = 1.1 x 1 x 0.84 = 0.924

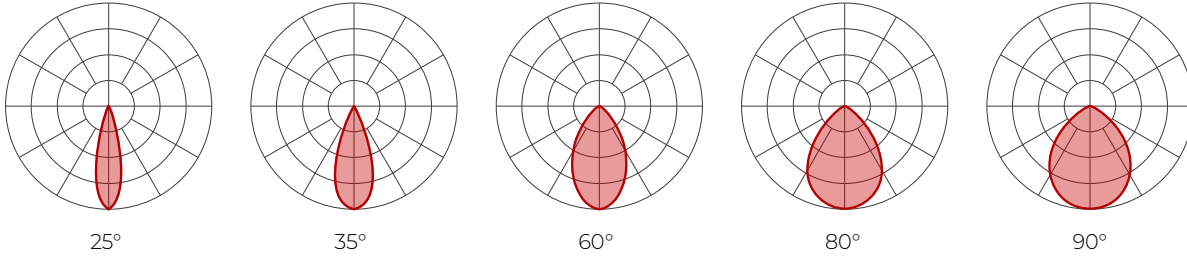
AERA 3" MULTI-APERTURE SQUARE RECESSED



Photometrics

RECESSED - SOLA

Values calculated based on bevel baffle and SDL lens option. All values are per light.



SOLA

BEAM		25°		35°		60°		80°		90°	
		lm	lm/W	lm	lm/W	lm	lm/W	lm	lm/W	lm	lm/W
18 W	3000K	1150	64	1205	67	1100	61	945	53	870	48
	2700K	1150	64	1205	67	1100	61	945	53	870	48

MULTIPLIERS

Please follow the multiplier tables to ensure correct lumen value. Beams, CCT, baffle styles, baffle colors, lensing and accessories will change the lumen value.

BAFFLE STYLE AND COLOR		LENS * (At baffle)		ACCESSORIES * (At light element)	
Flanged trim	1	SDL - Soft diffused lens, Solite	1	LSDL - Soft diffused lens, Solite	1
Trimless	1	FDL - Frosted lens	0.8	LFDL - Frosted lens	0.8
Bevel	1	CL - Clear lens	1.1	LS - Linear spread	0.84
Wet bevel	1	NOL - No lens	1.1	HEX - Hex louver	0.86
White	1	* When more than one lens or accessory is specified, multiply together the value of each lens and/or accessory. e.g. NOL + LSDL = 1.1 x 1 = 1.1			
Black	1				

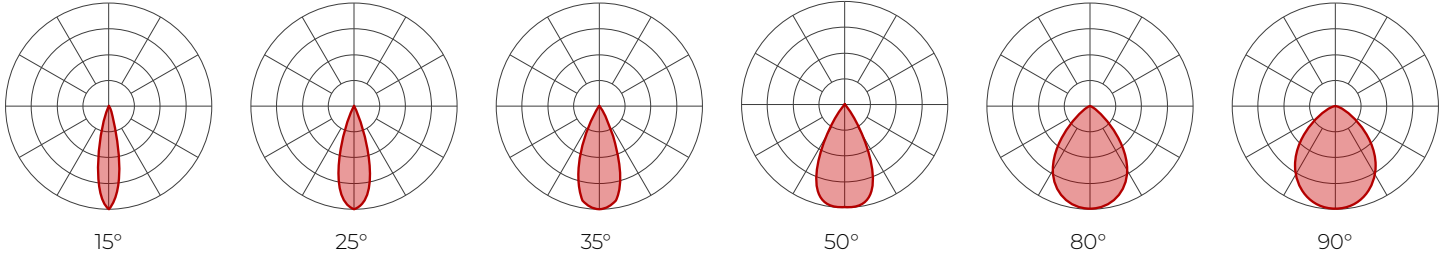
AERA 3" MULTI-APERTURE SQUARE RECESSED



Photometrics

RECESSED ADJUSTABLE - STATIC WHITE

Values calculated based on 3500K, bevel baffle, and SDL lens option. All values are per light.



Delivered lumens

BEAM	90 CRI						95 CRI						80 CRI					
	15°	25°	35°	50°	80°	90°	15°	25°	35°	50°	80°	90°	15°	25°	35°	50°	80°	90°
10 W	893	953	957	848	763	763	688	734	737	653	588	588	956	1020	1024	907	817	817
14 W	1179	1259	1264	1120	1008	1008	908	969	973	862	776	776	1262	1347	1352	1198	1079	1079
20 W	1675	1787	1796	1591	1432	1432	1290	1376	1382	1225	1103	1103	1792	1913	1922	1703	1533	1533

Efficacy

BEAM	90 CRI						95 CRI						80 CRI					
	15°	25°	35°	50°	80°	90°	15°	25°	35°	50°	80°	90°	15°	25°	35°	50°	80°	90°
10 W	89	95	96	85	76	76	69	73	74	65	59	59	96	102	102	91	82	82
14 W	84	90	90	80	72	72	65	69	70	62	55	55	90	96	97	86	77	77
20 W	84	89	90	80	72	72	64	69	69	61	55	55	90	96	96	85	77	77

MULTIPLIERS

Please follow the multiplier tables to ensure correct lumen value. Beams, CCT, baffle styles, baffle colors, lensing and accessories will change the lumen value.

CCT	BAFFLE STYLE AND COLOR	LENS * (At baffle)	ACCESSORIES * (At light element)
2700K	0.9	SDL - Soft diffused lens, Solite	1
3000K	0.95	FDL - Frosted lens	0.8
3500K	1	CL - Clear lens	1.1
4000K	1.05	NOL - No lens	1.1
	Flanged trim		LSDL - Soft diffused lens, Solite
	Trimless		1
	Bevel		LFDL - Frosted lens
	Wet bevel		0.8
	White		LS - Linear spread
	Black		0.84
			HEX - Hex louver
			0.86

* When more than one lens or accessory is specified, multiply together the value of each lens and/or accessory.
e.g. NOL + LSDL + LS = 1.1 x 1 x 0.84 = 0.924

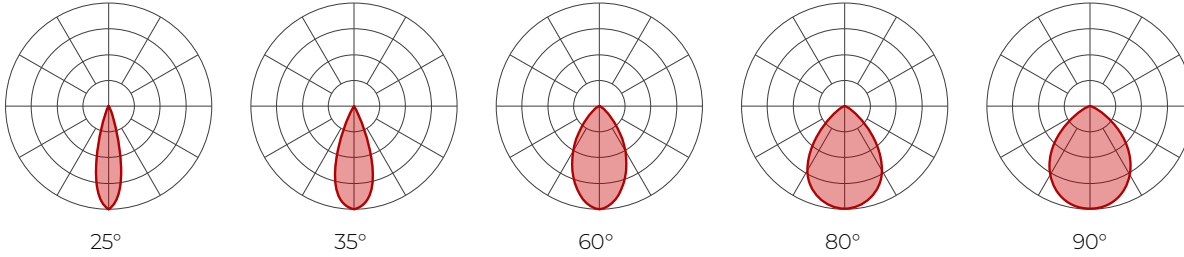
AERA 3" MULTI-APERTURE SQUARE RECESSED



Photometrics

RECESSED ADJUSTABLE - SOLA

Values calculated based on bevel baffle and SDL lens option. All values are per light.



SOLA

BEAM		25°		35°		60°		80°		90°	
		lm	lm/W	lm	lm/W	lm	lm/W	lm	lm/W	lm	lm/W
18 W	3000K	1150	64	1205	67	1100	61	945	53	870	48
	2700K	1150	64	1205	67	1100	61	945	53	870	48

MULTIPLIERS

Please follow the multiplier tables to ensure correct lumen value. Beams, CCT, baffle styles, baffle colors, lensing and accessories will change the lumen value.

BAFFLE STYLE AND COLOR		LENS * (At baffle)		ACCESSORIES * (At light element)	
Flanged trim	1	SDL - Soft diffused lens, Solite	1	LSDL - Soft diffused lens, Solite	1
Trimless	1	FDL - Frosted lens	0.8	LFDL - Frosted lens	0.8
Bevel	1	CL - Clear lens	1.1	LS - Linear spread	0.84
Wet bevel	1	NOL - No lens	1.1	HEX - Hex louver	0.86
White	1	* When more than one lens or accessory is specified, multiply together the value of each lens and/or accessory. e.g. NOL + LSDL = 1.1 x 1 = 1.1			
Black	1				

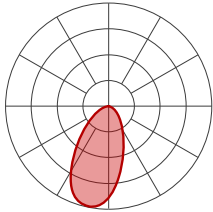
AERA 3" MULTI-APERTURE SQUARE RECESSED



Photometrics

RECESSED WALL WASH

Values calculated with white wall wash baffle, and based on 3500K for static white. All values are per light.



STATIC WHITE

	90 CRI		95 CRI		80 CRI	
	lm	lm/W	lm	lm/W	lm	lm/W
10 W	562	56	433	43	601	60
14 W	768	55	591	42	822	59
20 W	1061	53	817	41	1135	57

SOLA

		lm	
		lm	lm/W
18 W	3000K	1050	58
	2700K	1050	58

MULTIPLIERS

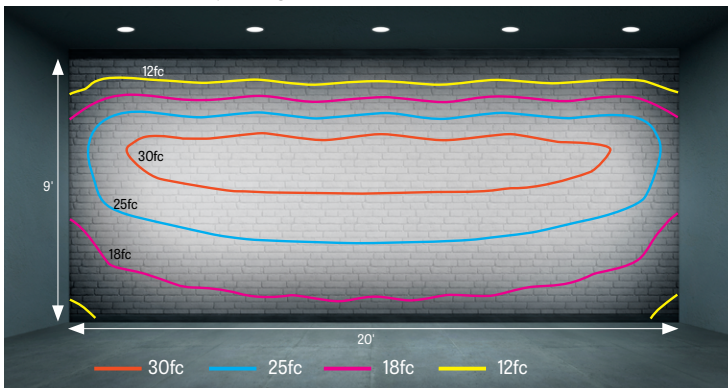
Please follow the multiplier tables to ensure correct lumen value. CCT and baffle colors will change the lumen value.

CCT		BAFFLE STYLE AND COLOR	
STATIC WHITE		Flanged trim	1
2700K	0.9	Trimless	1
3000K	0.95	White	1
3500K	1	Black	1
4000K	1.05		

UNIFORMITY

Values calculated based on 3500K and white wall wash baffle.

24" from Wall - 36" Spacing



Foot-candles

	FC ON WALL	24" FROM WALL - 24" SPACING			24" FROM WALL - 36" SPACING			24" FROM WALL - 48" SPACING		
		90 CRI	95 CRI	80 CRI	90 CRI	95 CRI	80 CRI	90 CRI	95 CRI	80 CRI
ABOVE FINISHED FLOOR	9'	10	7	10	6	5	7	5	4	5
	8'	40	31	43	25	19	27	19	15	21
	7'	54	41	57	35	27	37	27	20	28
	6'	46	35	49	30	23	32	23	18	25
	5'	34	26	37	23	18	25	17	13	19
	4'	26	20	28	18	14	19	13	10	14
	3'	21	16	22	14	11	15	11	8	11
	2'	17	13	18	12	9	12	9	7	9
	1'	15	11	16	10	8	11	8	6	8

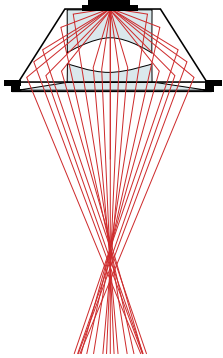
AERA 3" MULTI-APERTURE SQUARE RECESSED



Technical Specifications

OPTIC

XPoint™ Refraction Technology optics provide precise optical control in a remarkably compact form. Micro optical paths from the chip on board converge and then disperse in precise beam angles, resulting in a crisp and exacting light quality.



LIGHT SOURCE

Static white

Compact COB (Chip-On-Board) LED module, available in 2700K, 3000K, 3500K and 4000K with a choice of 80 CRI, 90 CRI, or 95 CRI, with elevated R9 value for 90 CRI and above. Color consistency is maintained to within 2 SDCM. All LEDs have been tested in accordance with IESNA LM-80-08 and the results have shown L80 lumen maintenance greater than 60,000 hours. Absolute product photometry is measured and presented in accordance with IESNA LM-79, unless otherwise indicated.

Full spectrum

The full spectrum LED option offers improved color particularly in the cyan region which helps increase Cyanosis Observation Index (COI) and assist in regulating circadian rhythms. The cyan region in full spectrum LED is richer at the 480 nm range.

Chromawerx SOLA

Chromawerx SOLA is single-channel control that dims output while warming the color temperature in a pre-determined relationship. Two color temperature range options are offered: 3000K to 1800K, and 2700K to 1800K. A simple analog control adjusts a specially populated LED array to emulate the effect of dimming a filament source.

ELECTRICAL

Unless otherwise specified, dimming down to 1%. At maximum driver load: efficiency > 84%, PF > 0.9, THD < 20%.

Integral: 0-10V, ELV, TRIAC

Remote: 0-10V, ELV, TRIAC, Lutron Hi-Lume 1% EcoSystem, DALI, eldoLED 0.1% SOLOdrive 0-10V, eldoLED 1% ECOdrive 0-10V

Emergency battery options: Remotely-installed, long-life, high-temperature, maintenance-free, Bodine Lithium-Ion battery pack with self-test functionality, test switch and charge indicator. IOTA and Fulham options available upon request. Minimum of 90 minutes operation, and recharge time of 24 hours. For fixtures less than 10 W, the battery provides 6 W of emergency light output. For fixtures 10 W and over, the battery provides 10 W.

PoE

Depending on the PoE manufacturer selected, Lumenwerx will install the node in factory as either integral to the luminaire or as a remote module. Factory programming of the PoE node may or may not enable the following functionalities: lumen package, DUO (tunable white), QUADRO (RGBW), emergency battery backup, and sensor integration. These must be addressed and evaluated on a case-by-case basis.

CONSTRUCTION

Housing

For new construction, 20 gauge powder coated steel. Open frame, type-IC, or Chicago Plenum (CCEA) rated. 18 gauge galvanized steel junction box with ½" trade size knockouts. Adjustable hanger bars and butterfly brackets are included. Adjustable commercial hat channel and flush mounted brackets are also available.

Light element

Adjustability: Hot aiming, 355° rotation and 35° vertical tilt with shift to ensure beam stays centered (Recessed Adjustable only).

LED module: Integral COB module. 90 CRI and 2 SDCM, Standard with options of 80 CRI, or 95 CRI. L80 > 60,000 hours.

XPoint™ Refraction Technology optic: Micro optical paths from the chip on board converge and then disperse in precise beam angles, resulting in a crisp and exacting light quality.

Thermal management: Cold-forged aluminum heat sink to maximize thermal dissipation.

Baffle: Die-cast aluminum mounted with retaining spring clips

Trim style: Trimmed and trimless with mudplate or millwork adapter

WEIGHT

	Open frame	Type-IC / Chicago Plenum
1 X 2	9.5 lbs - 4.3 kg	12.5 lbs - 5.7 kg
1 X 3	13.5 lbs - 6.1 kg	15.5 lbs - 7.0 kg
1 X 4	17.5 lbs - 7.9 kg	19.5 lbs - 8.8 kg
2 X 2	19.5 lbs - 8.8 kg	21.5 lbs - 9.8 kg

AERA 3" MULTI-APERTURE SQUARE RECESSED



LENS AND ACCESSORIES

Recessed / Recessed adjustable



Soft diffused lens, Solite



Frosted diffused lens



Clear lens



Linear spread



Hex louver

Recessed wall wash



Wall wash

ENVIRONMENT

Ambient temperature at fixture location shall be within 0°C/32°F - 25°C/77°F, indoor dry or damp as well as outdoor damp use (canopies or marquees).

CERTIFICATIONS

ETL: Rated for indoor dry/damp locations. Conforms to UL Standard 1598 and certified to CAN/CSA Standard C22.2 No. 250.0.

IP44: IP44 rated for bathrooms, showers, outdoor canopies, and marquees when specified with the wet location (WET) option.

Chicago Plenum: City of Chicago approved (CCEA) when specified with CP installation type option.

IC rated: Suitable for direct contact with insulation when specified with IC or CP installation type options.

Declare: [LBC Red List Approved](#)

WARRANTY

Lumenwerx provides a five-year limited warranty on electrical and mechanical performance of the luminaires, including the LED boards, drivers, and auxiliary electronics. Lumenwerx will repair or replace defective luminaires or components at our discretion, provided they have been installed and operated in accordance with our specifications. Other limitations apply, please refer to the full warranty on our website.