

# AERA 4" CYLINDER

SURFACE, SURFACE ASYMMETRIC

# LUMENWERX

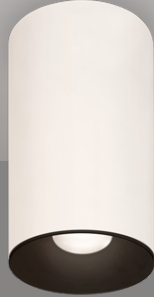


Project: \_\_\_\_\_

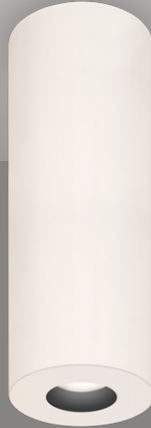
Type: \_\_\_\_\_



4" Height  
Bevel



8" Height  
Decorative Bevel



12" Height  
Pinhole

True-to-size with a versatile minimalist esthetic, Aera Cylinder luminaires are high-performance fixtures, delivering visually comfortable lighting suitable for a wide range of applications.

### Beam Angles



Low UGR < 10 in 15°, 25°, 35°, and 50° beams

### Performance

LUMEN OUTPUT <sup>1</sup>	WATTS	EFFICACY
1481 lm	14 W	106 lm/W
2066 lm	20 W	103 lm/W
2775 lm	28 W	99 lm/W

<sup>1</sup>Lumen packages are assuming 3500K, 80 CRI, 35° beam, bevel baffle, SDL lens option.

### Light Source

Static White  
Full Spectrum  
SOLA - Dim-to-Warm  
DUO - Tunable White



### COB

2 Step Color Binning  
Up to 95 CRI

### Driver

1%, 0.1% Dimming Available  
0-10V, TRIAC, ELV, Lutron EcoSystem, DALI, DMX  
Emergency Battery (optional)

### Mounting Options



### Certifications



### Aera Family (Refer to other spec sheets)

#### Downlight



2" / 3" / 4"  
Round / Square  
Recessed Adjustable

2" / 3" / 4"  
Round / Square  
Recessed

2" / 3" / 4"  
Round / Square  
Recessed Wall Wash

#### Multi-aperture

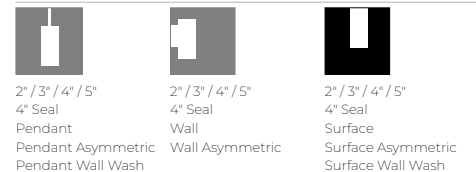


2" / 3" / 4"  
Round / Square  
Recessed Adjustable

2" / 3" / 4"  
Round / Square  
Recessed

2" / 3" / 4"  
Round / Square  
Recessed Wall Wash

#### Cylinder



2" / 3" / 4" / 5"  
4" Seal  
Pendant  
Pendant Asymmetric  
Pendant Wall Wash

2" / 3" / 4" / 5"  
4" Seal  
Wall  
Wall Asymmetric  
Surface Wall Wash

2" / 3" / 4" / 5"  
4" Seal  
Surface  
Surface Asymmetric  
Surface Wall Wash

# AERA 4" CYLINDER

SURFACE, SURFACE ASYMMETRIC

# LUMENWERX

Project: \_\_\_\_\_

Type: \_\_\_\_\_

## Order Guide



For an ENERGY STAR® certified fixture, see page 3.  
For a Title 24 JAB compliant fixture, see page 4.

LUMINAIRE ID <sup>1</sup>	DISTRIBUTION	CYLINDER HEIGHT	CYLINDER FINISH	BAFFLE STYLE	BAFFLE FINISH
	<b>D</b>				
<b>AE4CYS</b> - Aera 4" Cylinder Surface <b>AE4CYSASY</b> - Aera 4" Cylinder Surface Asymmetric  <sup>1</sup> Surface Wall Wash also available. Consult other spec sheet.	<b>D</b> - Direct	<b>4IN</b> <sup>2</sup> - 4" <b>8IN</b> - 8" <b>12IN</b> - 12" <b>CH#IN</b> <sup>3</sup> - Custom height  <sup>2</sup> Not available with DMNC/DMRM canopy options when specified with integral drivers. <sup>3</sup> Specify height (#) in 1" increments only. Up to maximum 36". For minimum heights, see page 5.	<b>FTMW</b> - Textured matte white <b>FTMB</b> - Textured matte black <b>FCHP</b> - Champagne <b>CF#</b> - Custom finish, specify RAL#	<b>BVL</b> - Bevel <b>PHL</b> - Pinhole <b>BVLD</b> - Decorative bevel	<b>FTMW</b> - Textured matte white <b>FTMB</b> - Textured matte black <b>FSPC</b> - Specular <b>FSSPC</b> - Semi-specular <b>FCHP</b> - Champagne <b>CF#</b> - Custom finish, specify RAL#

LENS * See page 5 for details	LIGHT SOURCE	BEAM	COLOR QUALITY	CRI	COLOR TEMP.	ACCESSORIES * See page 5 for details	VOLTAGE
<b>At baffle</b> (choose 1 option) Specify NOL for Pinhole  <b>SDL</b> - Soft diffused lens, Solite <b>FDL</b> - Frosted diffused lens <b>CL</b> - Clear lens <b>NOL</b> - No lens	<b>SW</b> - Static white <b>FS</b> - Full spectrum  <b>SOLA</b> - Dim-to-warm single channel control 35K to 22K <b>DUO</b> - Tunable white 2-channel control 65K to 27K	<b>15DEG</b> - 15° Narrow spot <b>25DEG</b> - 25° Spot <b>35DEG</b> - 35° Narrow flood <b>50DEG</b> - 50° Wide flood <b>80DEG</b> <sup>4</sup> - 80° Very wide flood <b>90DEG</b> <sup>4</sup> - 90° Open flood  <sup>4</sup> Not available with Asymmetric.	<b>2STP</b> <sup>5</sup> - 2 Step MacAdam Ellipse <b>3STP</b> - 3 Step MacAdam Ellipse  <sup>5</sup> Not available with full spectrum.	<b>90CRI</b> <sup>6</sup> - 90 CRI <b>95CRI</b> - 95 CRI <b>80CRI</b> <sup>6</sup> - 80 CRI  <sup>6</sup> Not available with full spectrum.	<b>27K</b> - 2700K <b>30K</b> - 3000K <b>35K</b> - 3500K <b>40K</b> - 4000K  <b>SOLA</b> - Dim-to-warm single channel control 35K to 22K <b>DUO</b> - Tunable white 2-channel control 65K to 27K	<b>At light element</b> <sup>7,8</sup> (choose up to 2 options)  <b>LSDL</b> - Soft diffused lens, Solite <b>LFDL</b> - Frosted diffused lens <b>LS</b> - Linear spread <b>HEX</b> - Hex louver <b>NA</b> - None  <sup>7</sup> If two options are specified, separate codes with a "+", e.g. <b>LSDL+HEX</b> . <sup>8</sup> LSDL and LFDL cannot be combined. LS and HEX cannot be combined.	<b>120V</b> - 120V <b>277V</b> - 277V <b>UNV</b> - 120V-277V <b>347V</b> <sup>9</sup> - 347V  <sup>9</sup> Available with RD1 driver only. Please consult factory.

\* LSDL or LFDL at light element cannot be combined with SDL, FDL, or CL at baffle. For SOLA/DUO, one of the following lenses must be specified: SDL, FDL, LSDL, or LFDL.

WATTAGE <sup>10</sup>		DIMMING <sup>12</sup>		CANOPY TYPE <sup>18</sup>	CANOPY FINISH Specify NA for DM	OPTION <sup>22</sup>
						<b>NA</b>
<b>SURFACE</b>  <b>14W</b> - 14 W output, up to 1538 lm <b>20W</b> - 20 W output, up to 2146 lm <b>28W</b> <sup>11</sup> - 28 W output, up to 2882 lm  <sup>10</sup> Lumen outputs are reduced with full spectrum, consult factory. <sup>11</sup> Not available with full spectrum.	<b>SURFACE ASY.</b>  <b>14W</b> - 14 W output, up to 1119 lm <b>20W</b> - 20 W output, up to 1782 lm <b>28W</b> <sup>11</sup> - 28 W output, up to 2393 lm	<b>INTEGRAL</b>  <b>D1</b> - 1% 0-10V <b>ELV</b> <sup>13</sup> - ELV 120V <b>TRI</b> <sup>13</sup> - TRIAC 120V  <sup>12</sup> PoE (Power-over-Ethernet) compatible. Consult factory for details. <sup>13</sup> Available with 120V only.	<b>REMOTE</b> <sup>14</sup>  <b>RD1</b> - 1% 0-10V <b>RELV</b> <sup>15</sup> - ELV 120V <b>RTRI</b> <sup>15</sup> - TRIAC 120V <b>RLDEI</b> <sup>16</sup> - Lutron Hi-lume 1% Eco <b>RDA</b> <sup>16</sup> - DALI <b>RELD1</b> - eldoLED 1% ECOdrive 0-10V <b>RELD0</b> - eldoLED 0.1% SOLOdrive 0-10V <b>+EB</b> <sup>17</sup> - Emergency battery  <sup>14</sup> A remote driver box is provided, see page 6 for details. <sup>15</sup> Available with 120V only. <sup>16</sup> On-site commissioning is required. <sup>17</sup> For emergency battery, code will be like the following example: <b>RD1+EB</b> .	<b>FLR</b> <sup>19</sup> - Flat round canopy, 4" octagonal junction box <b>CDR</b> <sup>19</sup> - Conduit feed, round canopy <b>DMNC</b> <sup>20</sup> - Direct mount, new construction <b>DMRM</b> <sup>20,21</sup> - Direct mount, remodel  <sup>18</sup> See page 6 for details. <sup>19</sup> 4" long cylinders require a remote driver, or a j-box for integral drivers. See page 6 for details. <sup>20</sup> 4" long cylinders require a remote driver. <sup>21</sup> Single wiring entry only. No daisy chain connections allowed.	<b>FTMW</b> - Textured matte white <b>FTMB</b> - Textured matte black <b>FCHP</b> - Champagne <b>CF#</b> - Custom finish, specify RAL# <b>NA</b> - Not applicable	<sup>22</sup> To specify an ENERGY STAR certified fixture, see page 3.  To specify a JAB compliant fixture, see page 4.
<b>SOLA</b> <b>25W</b> - 25 W output, up to 1400 lm  <b>DUO</b> <b>19W</b> - 19 W output, up to 1100 lm	<b>SOLA</b> <b>25W</b> - 25 W output, up to 1100 lm  <b>DUO</b> <b>19W</b> - 19 W output, up to 900 lm	<b>SOLA</b> <b>SDI</b> - Single 0-10V input <b>SELV</b> <sup>13</sup> - ELV 120V <b>STRI</b> <sup>13</sup> - TRIAC 120V	<b>SOLA</b> <b>RSDI</b> - Single 0-10V input <b>RSELV</b> <sup>13</sup> - ELV 120V <b>RSTRI</b> <sup>13</sup> - TRIAC 120V  <b>DUO</b> <b>RDMX</b> <sup>16</sup> - DMX <b>RDDA</b> <sup>16</sup> - DALI DT6 <b>RDDA8</b> <sup>16</sup> - DALI DT8 <b>RDD1</b> - Dual 0-10V input for CCT/intensity <b>RPSQO</b> <sup>16</sup> - Lutron T-Series 1% tunable white			

www.lumenwerx.com  
T (514) 225-4304

© Lumenwerx, ULC. All rights reserved.



Lumenwerx reserves the right to modify product specifications without notification.

AERA4-CYLINDER-SURFACE-SPEC-REV4 July 4, 2023



# AERA 4" CYLINDER

SURFACE, SURFACE ASYMMETRIC  
ENERGY STAR

# LUMENWERX

Project: \_\_\_\_\_

Type: \_\_\_\_\_



## Order Guide

LUMINAIRE ID <sup>1</sup>	DISTRIBUTION	CYLINDER HEIGHT	CYLINDER FINISH	BAFFLE STYLE	BAFFLE FINISH
	<b>D</b>				
<b>AE4CYS</b> - Aera 4" Cylinder Surface <b>AE4CYSASY</b> - Aera 4" Cylinder Surface Asymmetric  <sup>1</sup> Surface Wall Wash also available. Consult other spec sheet.	<b>D</b> - Direct	<b>4IN</b> <sup>2</sup> - 4" <b>8IN</b> - 8" <b>12IN</b> - 12" <b>CH#IN</b> <sup>3</sup> - Custom height  <sup>2</sup> Not available with DMNC/DMRM canopy options when specified with integral drivers. <sup>3</sup> Specify height (#) in 1" increments only. Up to maximum 36". For minimum heights, see page 5.	<b>FTMW</b> - Textured matte white <b>FTMB</b> - Textured matte black <b>FCHP</b> - Champagne <b>CF#</b> - Custom finish, specify RAL#	<b>BVL</b> - Bevel <b>PHL</b> - Pinhole <b>BVLD</b> - Decorative bevel	<b>FTMW</b> - Textured matte white <b>FTMB</b> - Textured matte black <b>FSPC</b> - Specular <b>FSSPC</b> - Semi-specular <b>FCHP</b> - Champagne <b>CF#</b> - Custom finish, specify RAL#

LENS See page 5 for details	LIGHT SOURCE	BEAM	COLOR QUALITY	CRI	COLOR TEMP.	ACCESSORY	VOLTAGE
	<b>SW</b>		<b>2STP</b>			<b>NA</b>	
<b>At baffle</b> Specify NOL for Pinhole  <b>SDL</b> - Soft diffused lens, Solite <b>FDL</b> - Frosted diffused lens <b>CL</b> - Clear lens <b>NOL</b> - No lens	<b>SW</b> - Static white	<b>15DEG</b> - 15° Narrow spot <b>25DEG</b> - 25° Spot <b>35DEG</b> - 35° Narrow flood <b>50DEG</b> - 50° Wide flood	<b>2STP</b> - 2 Step MacAdam Ellipse	<b>90CRI</b> - 90 CRI <b>80CRI</b> - 80 CRI	<b>27K</b> - 2700K <b>30K</b> - 3000K <b>35K</b> - 3500K <b>40K</b> - 4000K	<b>At light element</b>  <b>NA</b> - Not applicable	<b>120V</b> - 120V <b>277V</b> - 277V <b>UNV</b> - 120V-277V

WATTAGE		DIMMING		CANOPY TYPE <sup>8</sup>	CANOPY FINISH Specify NA for DM	OPTION
<b>14W</b>						<b>ES</b>
<b>SURFACE</b>	<b>SURFACE ASY.</b>	<b>INTEGRAL</b>	<b>REMOTE</b> <sup>5</sup>	<b>FLR</b> <sup>9</sup> - Flat round canopy, 4" octagonal junction box <b>CDR</b> <sup>9</sup> - Conduit feed, round canopy <b>DMNC</b> <sup>10</sup> - Direct mount, new construction <b>DMRM</b> <sup>10,11</sup> - Direct mount, remodel  <sup>8</sup> See page 6 for details. <sup>9</sup> 4" long cylinders require a remote driver, or a j-box for integral drivers. See page 6 for details. <sup>10</sup> 4" long cylinders require a remote driver. <sup>11</sup> Single wiring entry only. No daisy chain connections allowed.	<b>FTMW</b> - Textured matte white <b>FTMB</b> - Textured matte black <b>FCHP</b> - Champagne <b>CF#</b> - Custom finish, specify RAL# <b>NA</b> - Not applicable	<b>ES</b> - ENERGY STAR
<b>14W</b> - 14 W output, up to 1538 lm	<b>14W</b> - 14 W output, up to 1119 lm	<b>D1</b> - 1% 0-10V <b>ELV</b> <sup>4</sup> - ELV 120V <b>TRI</b> <sup>4</sup> - TRIAC 120V  <sup>4</sup> Available with 120V only.	<b>RDI</b> - 1% 0-10V <b>RELV</b> <sup>6</sup> - ELV 120V <b>RTRI</b> <sup>6</sup> - TRIAC 120V <b>RLDE1</b> <sup>7</sup> - Lutron Hi-lume 1% Eco  <sup>5</sup> A remote driver box is provided, see page 6 for details. <sup>6</sup> Available with 120V only. <sup>7</sup> On-site commissioning is required.			



# AERA 4" CYLINDER

SURFACE, SURFACE ASYMMETRIC

Title 24 JA8

# LUMENWERX

Project: \_\_\_\_\_

Type: \_\_\_\_\_



## Order Guide

LUMINAIRE ID <sup>1</sup>	DISTRIBUTION	CYLINDER HEIGHT	CYLINDER FINISH	BAFFLE STYLE	BAFFLE FINISH
	<b>D</b>				
<b>AE4CYS</b> - Aera 4" Cylinder Surface <b>AE4CYSASY</b> - Aera 4" Cylinder Surface Asymmetric  <sup>1</sup> Surface Wall Wash also available. Consult other spec sheet.	<b>D</b> - Direct	<b>4IN</b> <sup>2</sup> - 4" <b>8IN</b> - 8" <b>12IN</b> - 12" <b>CH#IN</b> <sup>3</sup> - Custom height  <sup>2</sup> Not available with DMNC/DMRM canopy options when specified with integral drivers. <sup>3</sup> Specify height (#) in 1" increments only. Up to maximum 36". For minimum heights, see page 5.	<b>FTMW</b> - Textured matte white <b>FTMB</b> - Textured matte black <b>FCHP</b> - Champagne <b>CF#</b> - Custom finish, specify RAL#	<b>BVL</b> - Bevel <b>PHL</b> - Pinhole <b>BVLD</b> - Decorative bevel	<b>FTMW</b> - Textured matte white <b>FTMB</b> - Textured matte black <b>FSPC</b> - Specular <b>FSSPC</b> - Semi-specular <b>FCHP</b> - Champagne <b>CF#</b> - Custom finish, specify RAL#

LENS *	LIGHT SOURCE	BEAM	COLOR QUALITY	CRI	COLOR TEMP.	ACCESSORY *	VOLTAGE
See page 5 for details						See page 5 for details	
	<b>SW</b>			<b>90CRI</b>			
<b>At baffle</b> Specify NOL for Pinhole  <b>SDL</b> - Soft diffused lens, Solite <b>FDL</b> - Frosted diffused lens <b>CL</b> - Clear lens <b>NOL</b> - No lens	<b>SW</b> - Static white	<b>15DEG</b> - 15° Narrow spot <b>25DEG</b> - 25° Spot <b>35DEG</b> - 35° Narrow flood <b>50DEG</b> - 50° Wide flood <b>80DEG</b> <sup>4</sup> - 80° Very wide flood <b>90DEG</b> <sup>4</sup> - 90° Open flood  <sup>4</sup> Not available with Asymmetric.	<b>2STP</b> - 2 Step MacAdam Ellipse <b>3STP</b> - 3 Step MacAdam Ellipse	<b>90CRI</b> - 90 CRI	<b>27K</b> - 2700K <b>30K</b> - 3000K <b>35K</b> - 3500K <b>40K</b> - 4000K	<b>At light element</b>  <b>LSDL</b> - Soft diffused lens, Solite <b>LFDL</b> - Frosted diffused lens <b>NA</b> - None	<b>120V</b> - 120V <b>277V</b> - 277V <b>UNV</b> - 120V-277V

\* LSDL or LFDL at light element cannot be combined with SDL, FDL, or CL at baffle.

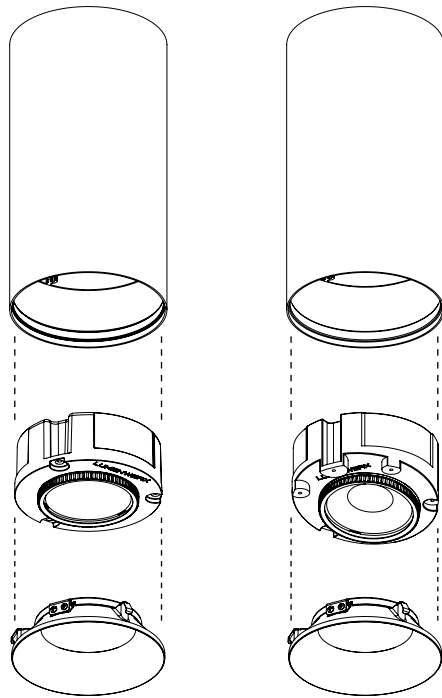
WATTAGE		DIMMING		CANOPY TYPE <sup>9</sup>		CANOPY FINISH Specify NA for DM	OPTION
<b>14W</b>							<b>JA8</b>
<b>SURFACE</b>	<b>SURFACE ASY.</b>	<b>INTEGRAL</b>	<b>REMOTE <sup>6</sup></b>	<b>FLR</b> <sup>10</sup> - Flat round canopy, 4" octagonal junction box <b>CDR</b> <sup>10</sup> - Conduit feed, round canopy <b>DMNC</b> <sup>11</sup> - Direct mount, new construction <b>DMRM</b> <sup>11,12</sup> - Direct mount, remodel	<b>FTMW</b> - Textured matte white <b>FTMB</b> - Textured matte black <b>FCHP</b> - Champagne <b>CF#</b> - Custom finish, specify RAL# <b>NA</b> - Not applicable		<b>JA8</b> - JA8 compliant
<b>14W</b> - 14 W output, up to 1538 lm	<b>14W</b> - 14 W output, up to 1119 lm	<b>DI</b> - 1% 0-10V <b>ELV</b> <sup>5</sup> - ELV 120V <b>TRI</b> <sup>5</sup> - TRIAC 120V  <sup>5</sup> Available with 120V only.	<b>RDI</b> - 1% 0-10V <b>RELV</b> <sup>7</sup> - ELV 120V <b>RTRI</b> <sup>7</sup> - TRIAC 120V <b>RLDE1</b> <sup>8</sup> - Lutron Hi-lume 1% Eco  <sup>6</sup> A remote driver box is provided, see page 6 for details. <sup>7</sup> Available with 120V only. <sup>8</sup> On-site commissioning is required.	<sup>9</sup> See page 6 for details. <sup>10</sup> 4" long cylinders require a remote driver, or a j-box for integral drivers. See page 6 for details. <sup>11</sup> 4" long cylinders require a remote driver. <sup>12</sup> Single wiring entry only. No daisy chain connections allowed.			

# AERA 4" CYLINDER

SURFACE, SURFACE ASYMMETRIC

LUMENWERX

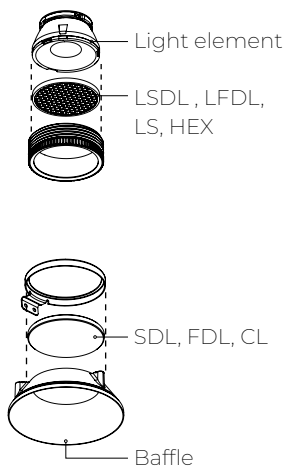
## Overview



**AE4CYS**  
Aera 4"  
Cylinder  
Surface

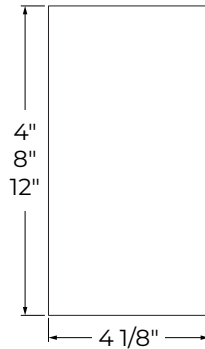
**AE4CYSASY**  
Aera 4"  
Cylinder  
Surface  
Asymmetric

## LENS AND ACCESSORIES



## Dimensions

### CYLINDER



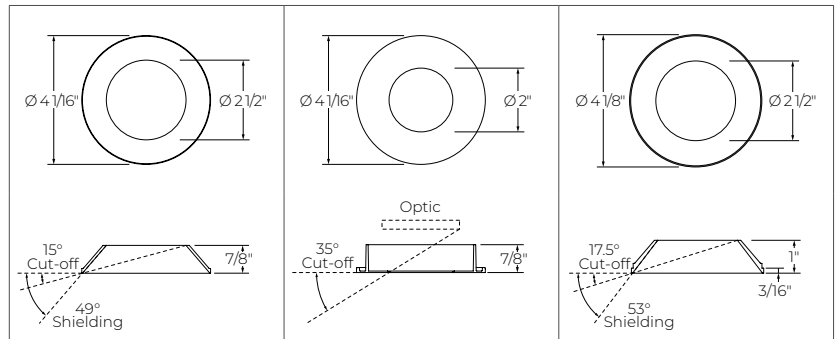
### Minimum heights - Cylinder

Size	Integral driver in cylinder	Integral driver in deep J-box	Remote driver
Ø4"	8"	4"	4"

\* Consult factory for maximum heights.

### BAFFLE

BVL Bevel	PHL Pinhole	BVLD Decorative bevel
<p>■ Baffle finish</p> <p>■ Textured matte black</p>		



# AERA 4" CYLINDER

SURFACE, SURFACE ASYMMETRIC

LUMENWERX

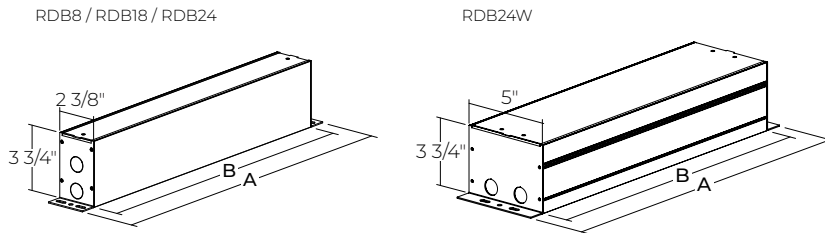
## Mounting

### CANOPY

Order code	INTEGRAL DRIVER				REMOTE DRIVER			
	FLR Flat round canopy, 4" octagonal junction box	CDR Conduit feed, round canopy	DMNC Direct mount, new construction	DMRM * Direct mount, remodel	FLR Flat round canopy, 4" octagonal junction box	CDR Conduit feed, round canopy	DMNC Direct mount, new construction	DMRM * Direct mount, remodel
Canopy type								
Canopy size	Ø 4 1/2" Height 1/4"	Ø 5 1/2" Height 1 15/16"	NA		Ø 4 1/2" Height 1/4"	Ø 5 1/2" Height 1 15/16"	NA	
Min. height	4" (Driver in junction box) 8" (Driver in cylinder)		8"		4"			

\* Single wiring entry only. No daisy chain connections allowed.

### REMOTE DRIVER BOX



	RDB8	RDB18	RDB24	RDB24W
<b>A</b>	10"	20"	26"	26"
<b>B</b>	8"	18"	24"	24"
<b>DRIVER</b>	<b>RD1</b> - 1% 0-10V <b>RELV</b> - ELV 120V <b>RTRI</b> - TRIAC 120V  <b>SOLA</b> <b>RSD1</b> - Single 0-10V input <b>RSELV</b> - ELV 120V <b>RSTRI</b> - TRIAC 120V	<b>RLDE1</b> - Lutron Hi-lume 1% Eco <b>RDA</b> - DALI <b>RELD1</b> - eldoLED 1% ECOdrive 0-10V <b>RELD0</b> - eldoLED 0.1% SOLOdrive 0-10V	Emergency battery (+EB) with the following driver options. <b>RD1+EB</b> - 1% 0-10V <b>RELV+EB</b> - ELV 120V <b>RTRI+EB</b> - TRIAC 120V  <b>DUO</b> <b>RDMX</b> - DMX <b>RDDA</b> - DALI DT6 <b>RDDA8</b> - DALI DT8 <b>RDD1</b> - Dual 0-10V input for CCT/intensity <b>RPSQO</b> - Lutron T-Series 1% tunable white	Emergency battery (+EB) with the following driver options. <b>RLDE1+EB</b> - Lutron Hi-lume 1% Eco <b>RDA+EB</b> - DALI <b>RELD1+EB</b> - eldoLED 1% ECOdrive 0-10V <b>RELD0+EB</b> - eldoLED 0.1% SOLOdrive 0-10V

# AERA 4" CYLINDER

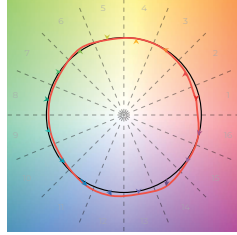
## SURFACE, SURFACE ASYMMETRIC

LUMENWERX

### Color Quality

#### COLOR QUALITY - 3500K

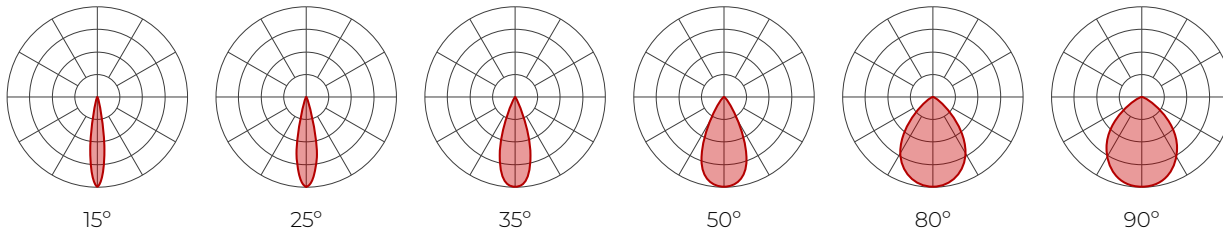
TM-30 Rr	90
TM-30 Ra	100
CRI	90
R9	> 50



### Photometrics

Please follow the multiplier tables to ensure correct lumen value. Beams, CCT, baffle styles, baffle colors, lensing and accessories will change the lumen value.

#### SURFACE



#### Delivered Lumens for Bevel Baffles - At 35K, with SDL lens option

CRI	90 CRI						95 CRI						80 CRI					
	15	25	35	50	80	90	15	25	35	50	80	90	15	25	35	50	80	90
14 W	1399	1437	1384	1356	1220	1220	1077	1106	1066	1044	940	940	1497	1538	1481	1451	1306	1306
20 W	1952	2006	1931	1893	1704	1704	1503	1545	1487	1458	1312	1312	2089	2146	2066	2026	1823	1823
28 W	2621	2693	2593	2541	2287	2287	2018	2074	1997	1957	1761	1761	2804	2882	2775	2719	2447	2447

#### Efficacy Based on Delivered Lumens

CRI	90 CRI						95 CRI						80 CRI					
	15	25	35	50	80	90	15	25	35	50	80	90	15	25	35	50	80	90
14 W	100	103	99	97	87	87	77	79	76	75	67	67	107	110	106	104	93	93
20 W	98	100	97	95	85	85	75	77	74	73	66	66	104	107	103	101	91	91
28 W	94	96	93	91	82	82	72	74	71	70	63	63	100	103	99	97	87	87

#### MULTIPLIERS

CCT		BAFFLE STYLE AND COLOR		LENS * (At baffle)		ACCESSORIES * (At light element)		
2700K	0.9	Bevel	White	1	SDL - Soft diffused lens, Solite	1	LSDL - Soft diffused lens, Solite	1
3000K	0.95		Black	1	FDL - Frosted lens	0.8	LFDL - Frosted lens	0.8
3500K	1	Pinhole	White	0.92	CL - Clear lens	1.1	LS - Linear spread	0.84
			Black	0.92	NOL - No lens	1.1	HEX - Hex louver	0.86
4000K	1.05	Decorative bevel	White	1	* When more than one lens or accessory is specified, multiply together the value of each lens and/or accessory. e.g. NOL + LSDL + HEX = 1.1 x 1 x 0.86 = 0.946			
	Black		1					

For SOLA and DUO, please consult factory.

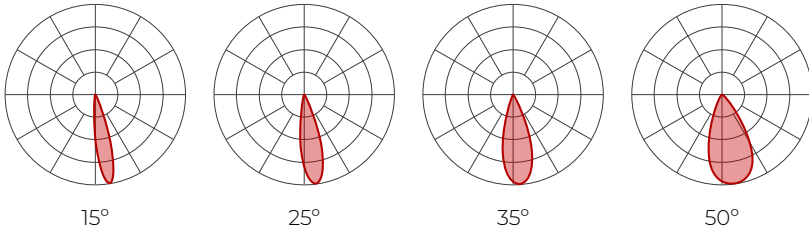
# AERA 4" CYLINDER

**LUMENWERX**

## SURFACE, SURFACE ASYMMETRIC

Please follow the multiplier tables to ensure correct lumen value. Beams, CCT, baffle styles, baffle colors, lensing and accessories will change the lumen value.

### SURFACE ASYMMETRIC



### Delivered Lumens for Bevel Baffles - At 35K, with SDL lens option

CRI	90 CRI				95 CRI				80 CRI			
	15	25	35	50	15	25	35	50	15	25	35	50
14 W	977	1025	1018	1046	752	789	784	805	1045	1097	1089	1119
20 W	1556	1632	1621	1665	1198	1257	1248	1282	1665	1746	1734	1782
28 W	2089	2191	2176	2236	1609	1687	1676	1722	2235	2344	2328	2393

### Efficacy Based on Delivered Lumens

CRI	90 CRI				95 CRI				80 CRI			
	15	25	35	50	15	25	35	50	15	25	35	50
14 W	70	73	73	75	54	56	56	58	75	78	78	80
20 W	78	82	81	83	60	63	62	64	83	87	87	89
28 W	75	78	78	80	57	60	60	61	80	84	83	85

### MULTIPLIERS

CCT		BAFFLE STYLE AND COLOR			LENS * (At baffle)		ACCESSORIES * (At light element)	
2700K	0.9	Bevel	White	1	SDL - Soft diffused lens, Solite	1	LSDL - Soft diffused lens, Solite	1
3000K	0.95		Black	1	FDL - Frosted lens	0.8	LFDL - Frosted lens	0.8
3500K	1	Pinhole	White	0.92	CL - Clear lens	1.1	LS - Linear spread	0.84
			Black	0.92	NOL - No lens	1.1	HEX - Hex louver	0.86
4000K	1.05	Decorative bevel	White	1	* When more than one lens or accessory is specified, multiply together the value of each lens and/or accessory. e.g. NOL + LSDL + HEX = 1.1 x 1 x 0.86 = 0.946			
			Black	1				

For SOLA and DUO, please consult factory.



# AERA 4" CYLINDER

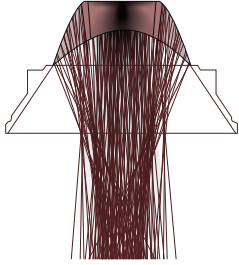
## SURFACE, SURFACE ASYMMETRIC

# LUMENWERX

## Technical Specifications

### OPTIC

XPoint™ Refraction Technology optics provide precise optical control in a remarkably compact form. Micro optical paths from the chip on board converge and then disperse in precise beam angles, resulting in a crisp and exacting light quality.



### LIGHT SOURCE

Compact COB (Chip-On-Board) LED module, available in 2700K, 3000K, 3500K and 4000K with a choice of 80 CRI, 90 CRI, or 95 CRI, with elevated R9 value for 90 CRI and above. Color consistency is maintained to within 2 SDCM. All LEDs have been tested in accordance with IESNA LM-80-08 and the results have shown L80 lumen maintenance greater than 60,000 hours. Absolute product photometry is measured and presented in accordance with IESNA LM-79, unless otherwise indicated. Optional full spectrum LEDs can be incorporated in the fixture to increase Cyanosis Observation Index (COI) and assist in regulating circadian rhythms.

### CHROMAWERX

#### Chromawerx SOLA

Chromawerx SOLA is single-channel control that dims output while warming the color temperature in a pre-determined relationship. A simple analog control adjusts a specially populated LED array to emulate the effect of dimming a filament source.

#### Chromawerx DUO

Chromawerx DUO offers a two-channel control system which uses analog or digital protocols for synchronous control of both cool (6500K) to warm (2700K) LED arrays - maintaining a CRI above 90. The range of color DUO offers is useful for entraining circadian rhythms, stimulating alertness, and compensating for jet lag among other applications. The Chromawerx drivers are programmed to limit maximum light output and power usage across all color temperatures. When paired with DALI drivers (DDA/DDA8), color tuning follows a linear dimming curve.

### ELECTRICAL

Unless otherwise specified, dimming down to 1%. At maximum driver load: efficiency>84%, PF>0.9, THD<20%.

**Integral:** 0-10V, ELV, TRIAC.

**Remote:** 0-10V, ELV, TRIAC, Lutron Hi-Lume 1% EcoSystem, DALI, eldoLED 0.1% SOLOdrive 0-10V, eldoLED 1% ECOdrive 0-10V, DMX, Lutron T-series (tunable white).

**Emergency Battery Option:** Remotely-installed, long-life, high-temperature, maintenance-free, Bodine Lithium-Ion battery pack with self-test functionality, test switch and charge indicator. IOTA and Fulham options available upon request. Minimum of 90 minutes operation, and recharge time of 24 hours. For fixtures less than 10W, the battery provides 6W of emergency light output. For fixtures 10W and over, the battery provides 10W.

### PoE

Depending on the PoE manufacturer selected, Lumenwerx will install the node in factory as either integral to the luminaire, or as a remote module. Factory programming of the PoE node may or may not enable the following functionalities: lumen package, Duo (tunable white), emergency battery backup, and sensor integration. These must be addressed and evaluated on a case-by-case basis.

### CONSTRUCTION

**Housing:** Die-cast and extruded aluminum.

**Canopy:** Flat, conduit feed, and direct

**Finish:** Textured matte white, black, and champagne. Custom colors also available (provide RAL #). Specular and semi-specular finishes are also available for Baffle.

**Heat sink:** Die-cast aluminum.

### WEIGHT

**4"** - 2.2 lbs - 1 kg

**8"** - 2.9 lbs - 1.3 kg

**12"** - 3.4 lbs - 1.5 kg

# AERA 4" CYLINDER

## SURFACE, SURFACE ASYMMETRIC

# LUMENWERX

### BAFFLE

Die-cast aluminum

**Baffle style:** Bevel, pinhole, and decorative bevel

### LENS AND ACCESSORIES



Soft diffused lens, Solite



Frosted diffused lens



Clear lens



Linear Spread



Hex Louver

### ENVIRONMENT

Ambient temperature at fixture location shall be within 0°C/32°F - 25°C/77°F, indoor dry or damp as well as outdoor damp use (canopies or marquees).

### CERTIFICATIONS

**ETL** - Rated for Indoor Dry/Damp locations. Conforms to UL Standard 1598 and certified to CAN/CSA Standard C22.2 No. 250.0.

**ENERGY STAR** - ENERGY STAR certified

**Title 24 JA8** - California Building Standards Code

### WARRANTY

Lumenwerx provides a five-year limited warranty of electrical and mechanical performance of the luminaires, including the LED boards, drivers, and auxiliary electronics. Lumenwerx will repair or replace defective luminaires or components at our discretion, provided they have been installed and operated in accordance with our specifications. Other limitations apply, please refer to the full warranty on our website.