

# AERA 4" INFLEX CYLINDER



PENDANT  
DIRECT



Project: \_\_\_\_\_  
Type: \_\_\_\_\_



**8" Height  
Bevel**



**8" Height  
Decorative Bevel**



**12" Height  
Pinhole**

**Beam Angles**



15° 25° 35° 50° 80° 90°  
Low UGR < 10 in 15°, 25°, 35°, and 50° beams / Max. tilt 35°

**Performance**

LUMEN OUTPUT <sup>1</sup>	WATTS	EFFICACY
1298 lm	14 W	93 lm/W
1861 lm	20 W	93 lm/W

<sup>1</sup> Lumen packages are assuming 3500K, 80 CRI, 35° beam, bevel baffle, SDL lens option.

**Light Source**

Static White  
Full Spectrum  
SOLA - Dim-to-Warm  
DUO - Tunable White



**COB**

2 Step Color Binning  
Up to 95 CRI

**Driver**




1%, 0.1% Dimming Available  
0-10V, TRIAC, ELV, Lutron EcoSystem, DALI, DMX  
Emergency Battery (optional)

**Mounting Options**




Flat Stem Swivel Stem    Conduit Stem Swivel Stem    Direct Stem    Deep Stem

**Aera Cylinder Family (Refer to other spec sheets)**  
Cylinder

		
2" / 3" / 4" / 5" 4" Seal Pendant Pendant Asymmetric Pendant Wall Wash	2" / 3" / 4" / 5" 4" Seal Wall Wall Asymmetric	2" / 3" / 4" / 5" 4" Seal Surface Surface Asymmetric Surface Wall Wash

**Inflex cylinder**

	
3" / 4" Pendant	3" / 4" Surface

**Flex cylinder**

			
3" Pendant	3" Recessed	3" Surface	3" Wall



# AERA 4" INFLEX CYLINDER



PENDANT  
DIRECT

Project: \_\_\_\_\_

Type: \_\_\_\_\_

## Order Guide

LUMINAIRE ID <sup>1</sup>	DISTRIBUTION	CYLINDER HEIGHT	CYLINDER FINISH	BAFFLE STYLE	BAFFLE FINISH
<b>AE4INFXCYP</b>	<b>D</b>				
<b>AE4INFXCYP</b> - Aera 4" Inflex Cylinder Pendant  <sup>1</sup> Surface also available. Consult other spec sheet.	<b>D</b> - Direct	<b>8IN</b> - 8" <b>12IN</b> - 12" <b>CH#IN</b> <sup>2</sup> - Custom height  <sup>2</sup> Specify height (#) in 1" increments only. Up to maximum 36".	<b>FTMW</b> - Textured matte white <b>FTMB</b> - Textured matte black <b>FCHP</b> - Champagne <b>CF#</b> - Custom finish, specify RAL#	<b>BVL</b> - Bevel <b>PHL</b> - Pinhole <b>BVLD</b> - Decorative bevel	<b>FTMW</b> - Textured matte white <b>FTMB</b> - Textured matte black <b>FSPC</b> - Specular <b>FSSPC</b> - Semi-specular <b>FCHP</b> - Champagne <b>CF#</b> - Custom finish, specify RAL#

LENS * See page 3 for details	LIGHT SOURCE	BEAM	COLOR QUALITY	CRI	COLOR TEMP.	ACCESSORIES * See page 3 for details
<b>At baffle</b> (choose 1 option) Specify NOL for Pinhole  <b>SDL</b> - Soft diffused lens, Solite <b>FDL</b> - Frosted diffused lens <b>CL</b> - Clear lens <b>NOL</b> - No lens	<b>SW</b> - Static white <b>FS</b> - Full spectrum  <b>SOLA</b> - Dim-to-warm single channel control 35K to 22K <b>DUO</b> - Tunable white 2-channel control 65K to 27K	<b>15DEG</b> - 15° Narrow spot <b>25DEG</b> - 25° Spot <b>35DEG</b> - 35° Narrow flood <b>50DEG</b> - 50° Wide flood <b>80DEG</b> - 80° Very wide flood <b>90DEG</b> - 90° Open flood  <b>50DEG</b> - 50° Wide flood	<b>2STP</b> <sup>3</sup> - 2 Step MacAdam Ellipse <b>3STP</b> - 3 Step MacAdam Ellipse  <sup>3</sup> Not available with full spectrum.	<b>90CRI</b> <sup>4</sup> - 90 CRI <b>95CRI</b> - 95 CRI <b>80CRI</b> <sup>4</sup> - 80 CRI  <sup>4</sup> Not available with full spectrum.	<b>27K</b> - 2700K <b>30K</b> - 3000K <b>35K</b> - 3500K <b>40K</b> - 4000K  <b>SOLA</b> - Dim-to-warm single channel control 35K to 22K <b>DUO</b> - Tunable white 2-channel control 65K to 27K	<b>At light element</b> <sup>5,6</sup> (choose up to 2 options)  <b>LSDL</b> - Soft diffused lens, Solite <b>LFDL</b> - Frosted diffused lens <b>LS</b> - Linear spread <b>HEX</b> - Hex louver <b>NA</b> - None  <sup>5</sup> If two options are specified, separate codes with a "+", e.g. <b>LSDL+HEX</b> . <sup>6</sup> LSDL and LFDL cannot be combined. LS and HEX cannot be combined.

\* LSDL or LFDL at light element cannot be combined with SDL, FDL, or CL at baffle. For SOLA/DUO, one of the following lenses must be specified: SDL, FDL, LSDL, or LFDL.

VOLTAGE	WATTAGE <sup>8</sup>	DIMMING <sup>9</sup>
<b>120V</b> - 120V <b>277V</b> - 277V <b>UNV</b> - 120V-277V <b>347V</b> <sup>7</sup> - 347V  <sup>7</sup> Available with RD1 driver only. Please consult factory.	<b>14W</b> - 14 W output, up to 1348 lm <b>20W</b> - 20 W output, up to 1932 lm  <sup>8</sup> Lumen outputs are reduced with full spectrum, consult factory.	<b>INTEGRAL</b> <b>D1</b> - 1% 0-10V <b>ELV</b> <sup>10</sup> - ELV 120V <b>TRI</b> <sup>10</sup> - TRIAC 120V  <sup>9</sup> PoE (Power-over-Ethernet) compatible. Consult factory for details. <sup>10</sup> Available with 120V only.
	<b>SOLA</b> <b>23W</b> - 23 W output, up to 1400 lm  <b>DUO</b> <b>19W</b> - 19 W output, up to 1050 lm	<b>REMOTE</b> <sup>11</sup> <b>RD1</b> - 1% 0-10V <b>RELV</b> <sup>12</sup> - ELV 120V <b>RTRI</b> <sup>12</sup> - TRIAC 120V  <sup>11</sup> A remote driver box is provided, see page 5 for details. <sup>12</sup> Available with 120V only.
		<b>SOLA</b> <b>RSD1</b> - Single 0-10V input <b>RSELV</b> <sup>12</sup> - ELV 120V <b>RSTRI</b> <sup>12</sup> - TRIAC 120V
		<b>RD1E1</b> <sup>13</sup> - Lutron Hi-lume 1% Eco <b>RDA</b> <sup>13</sup> - DALI <b>RELD1</b> - eldoLED 1% ECOdrive 0-10V <b>RELD0</b> - eldoLED 0.1% SOLOdrive 0-10V <b>+EB</b> <sup>14</sup> - Emergency battery  <sup>13</sup> On-site commissioning is required. <sup>14</sup> For emergency battery, code will be like the following example: <b>RD1+EB</b> .
		<b>SOLA</b> <b>RDMX</b> <sup>15</sup> - DMX <b>RDDA</b> <sup>15</sup> - DALI DT6 <b>RDDA8</b> <sup>15</sup> - DALI DT8 <b>RDD1</b> - Dual 0-10V input for CCT/intensity <b>RPSQ0</b> <sup>15</sup> - Lutron T-Series 1% tunable white

CANOPY TYPE <sup>15</sup>	CANOPY FINISH	SUSPENSION <sup>21</sup>
<b>FLR</b> <sup>16</sup> - Flat round canopy, 4" octagonal junction box <b>CDR</b> <sup>17</sup> - Conduit feed, round canopy <b>DMNC</b> <sup>18</sup> - Direct mount, new construction <b>DMRM</b> <sup>18,19</sup> - Direct mount, remodel <b>DR</b> <sup>20</sup> - Deep round canopy, driver in canopy  <sup>15</sup> See page 4 for details. <sup>16</sup> Driver is housed in j-box when specified with integral drivers. <sup>17</sup> Driver is housed in canopy when specified with integral drivers. <sup>18</sup> Available with remote driver only. <sup>19</sup> Single wiring entry only. No daisy chain connections allowed. <sup>20</sup> Available with integral driver only. Driver is housed in canopy.	<b>FTMW</b> - Textured matte white <b>FTMB</b> - Textured matte black <b>FCHP</b> - Champagne <b>CF#</b> - Custom finish, specify RAL#	<b>BKS##IN</b> - Textured black stem <b>WHS##IN</b> - Textured white stem <b>BKSS##IN</b> <sup>22</sup> - Textured black swivel stem <b>WHSS##IN</b> <sup>22</sup> - Textured white swivel stem <b>CF#S##IN</b> <sup>23</sup> - Custom finish stem <b>CF#SS##IN</b> <sup>22,23</sup> - Custom finish swivel stem  <sup>21</sup> Min 10" - max 72", specify length (##) in inches. <sup>22</sup> Only available with FLR/CDR and remote driver. <sup>23</sup> Specify RAL#.



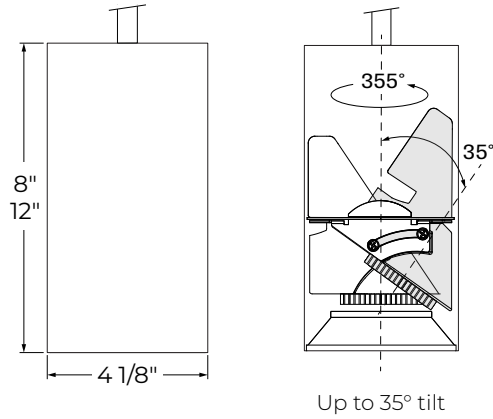
# AERA 4" INFLEX CYLINDER



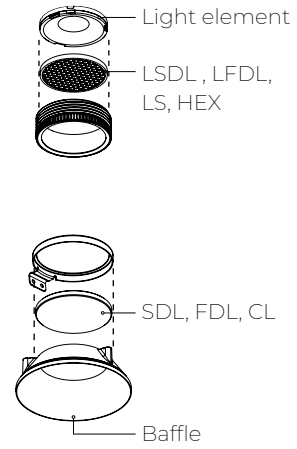
PENDANT  
DIRECT

## Dimensions

### CYLINDER



### LENS AND ACCESSORIES



### BAFFLE

BVL Bevel	PHL Pinhole	BVLD Decorative bevel
<p>■ Baffle finish ■ Textured matte black</p>		

# AERA 4" INFLEX CYLINDER



PENDANT  
DIRECT

## Mounting

### CANOPY

INTEGRAL DRIVER			
Order code	FLR Flat round canopy, 4" octagonal junction box	CDR Conduit feed, round canopy	DR Deep round canopy, driver(s) in canopy
Canopy type			
Canopy size	Ø 4 5/8" Height 1/4"	Ø 5 1/2" Height 1 15/16"	Ø 5 5/8" Height 1 3/8"
Suspension	Stem		

REMOTE DRIVER				
Order code	FLR Flat round canopy, 4" octagonal junction box	CDR Conduit feed, round canopy	DMNC Direct mount, new construction	DMRM* Direct mount, remodel
Canopy type				
Canopy size	Ø 4 5/8" Height 1/4"	Ø 5 1/2" Height 1 15/16"	Ø 4 1/8" Height 2"	
Suspension	Stem, Swivel stem		Stem	

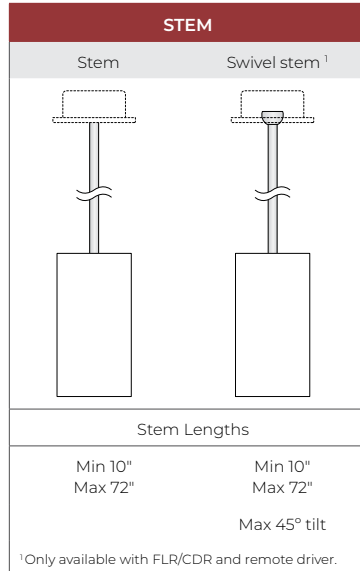
\* Single wiring entry only. No daisy chain connections allowed.

# AERA 4" INFLEX CYLINDER



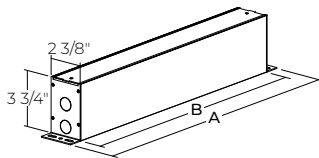
## PENDANT DIRECT

### SUSPENSION

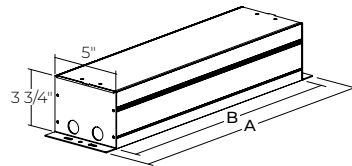


### REMOTE DRIVER BOX

RDB8 / RDB18 / RDB24



RDB24W



	RDB8	RDB18	RDB24	RDB24W
<b>A</b>	10"	20"	26"	26"
<b>B</b>	8"	18"	24"	24"
<b>DRIVER</b>	<b>RDI</b> - 1% 0-10V <b>RELV</b> - ELV 120V <b>RTRI</b> - TRIAC 120V  <b>SOLA</b> <b>RSDI</b> - Single 0-10V input <b>RSELV</b> - ELV 120V <b>RSTRI</b> - TRIAC 120V	<b>RLDEI</b> - Lutron Hi-Lume 1% Eco <b>RDA</b> - DALI <b>RELDI</b> - eldoLED 1% ECOdrive 0-10V <b>RELD0</b> - eldoLED 0.1% SOLOdrive 0-10V	Emergency battery (+EB) with the following driver options. <b>RDI+EB</b> - 1% 0-10V <b>RELV+EB</b> - ELV 120V <b>RTRI+EB</b> - TRIAC 120V  <b>DUO</b> <b>RDMX</b> - DMX <b>RDDA</b> - DALI DT6 <b>RDDA8</b> - DALI DT8 <b>RDD1</b> - Dual 0-10V input for CCT/intensity <b>RPSQO</b> - Lutron T-Series 1% tunable white	Emergency battery (+EB) with the following driver options. <b>RLDE1+EB</b> - Lutron Hi-Lume 1% Eco <b>RDA+EB</b> - DALI <b>RELD1+EB</b> - eldoLED 1% ECOdrive 0-10V <b>RELD0+EB</b> - eldoLED 0.1% SOLOdrive 0-10V

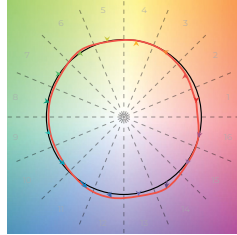
# AERA 4" INFLEX CYLINDER



PENDANT  
DIRECT

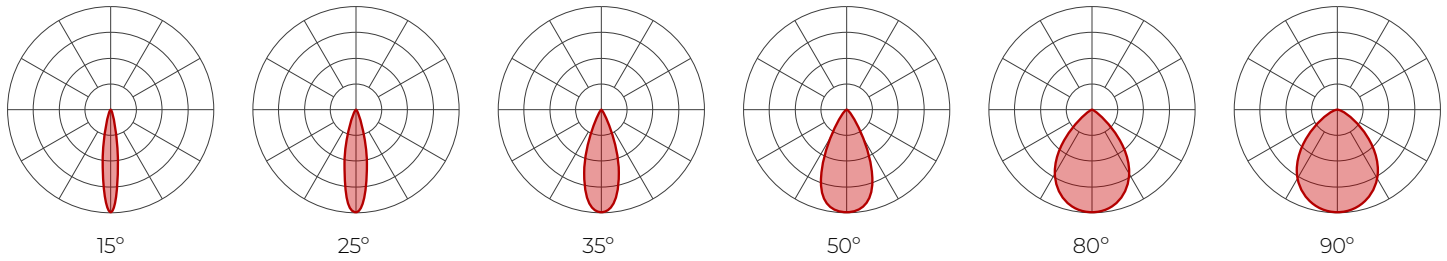
## Color Quality

COLOR QUALITY - 3500K	
TM-30 R <sub>r</sub>	90
TM-30 R <sub>g</sub>	100
CRI	90
R9	> 50



## Photometrics

Please follow the multiplier tables to ensure correct lumen value. Beams, CCT, baffle styles, baffle colors, lensing and accessories will change the lumen value.



Delivered Lumens for Bevel Baffles - At 35K, with SDL lens option

CRI	90 CRI						95 CRI						80 CRI					
	BEAM	15	25	35	50	80	90	15	25	35	50	80	90	15	25	35	50	80
14 W	1226	1260	1213	1189	1070	1070	944	970	934	916	824	824	1312	1348	1298	1272	1145	1145
20 W	1758	1806	1739	1704	1534	1534	1354	1391	1339	1312	1181	1181	1881	1932	1861	1823	1641	1641

## Efficacy Based on Delivered Lumens

CRI	90 CRI						95 CRI						80 CRI					
	BEAM	15	25	35	50	80	90	15	25	35	50	80	90	15	25	35	50	80
14 W	88	90	87	85	76	76	67	69	67	65	59	59	94	96	93	91	82	82
20 W	88	90	87	85	77	77	68	70	67	66	59	59	94	97	93	91	82	82

## MULTIPLIERS

CCT		BAFFLE STYLE AND COLOR			LENS * (At baffle)		ACCESSORIES * (At light element)	
2700K	0.9	Bevel	White	1	SDL - Soft diffused lens, Solite	1	LSDL - Soft diffused lens, Solite	1
3000K	0.95		Black	1	FDL - Frosted lens	0.8	LFDL - Frosted lens	0.8
3500K	1	Pinhole	White	0.92	CL - Clear lens	1.1	LS - Linear spread	0.84
4000K	1.05		Black	0.92	NOL - No lens	1.1	HEX - Hex louver	0.86
For SOLA and DUO, please consult factory.		Decorative bevel	White	1	* When more than one lens or accessory is specified, multiply together the value of each lens and/or accessory. e.g. NOL + LSDL + HEX = 1.1 x 1 x 0.86 = 0.946			
			Black	1				

# AERA 4" INFLEX CYLINDER

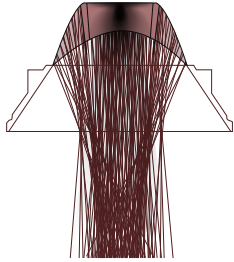


PENDANT  
DIRECT

## Technical Specifications

### OPTIC

XPoint™ Refraction Technology optics provide precise optical control in a remarkably compact form. Micro optical paths from the chip on board converge and then disperse in precise beam angles, resulting in a crisp and exacting light quality.



### LIGHT SOURCE

Compact COB (Chip-On-Board) LED module, available in 2700K, 3000K, 3500K and 4000K with a choice of 80 CRI, 90 CRI, or 95 CRI, with elevated R9 value for 90 CRI and above. Color consistency is maintained to within 2 SDCM. All LEDs have been tested in accordance with IESNA LM-80-08 and the results have shown L80 lumen maintenance greater than 60,000 hours. Absolute product photometry is measured and presented in accordance with IESNA LM-79, unless otherwise indicated. Optional full spectrum LEDs can be incorporated in the fixture to increase Cyanosis Observation Index (COI) and assist in regulating circadian rhythms.

### CHROMAWERX

#### Chromawerx SOLA

Chromawerx SOLA is single-channel control that dims output while warming the color temperature in a pre-determined relationship. A simple analog control adjusts a specially populated LED array to emulate the effect of dimming a filament source.

#### Chromawerx DUO

Chromawerx DUO offers a two-channel control system which uses analog or digital protocols for synchronous control of both cool (6500K) to warm (2700K) LED arrays - maintaining a CRI above 90. The range of color DUO offers is useful for entraining circadian rhythms, stimulating alertness, and compensating for jet lag among other applications. The Chromawerx drivers are programmed to limit maximum light output and power usage across all color temperatures. When paired with DALI drivers (DDA/DDA8), color tuning follows a linear dimming curve.

### ELECTRICAL

Unless otherwise specified, dimming down to 1%. At maximum driver load: efficiency>84%, PF>0.9, THD<20%.

**Integral:** 0-10V, ELV, TRIAC.

**Remote:** 0-10V, ELV, TRIAC, Lutron Hi-Lume 1% EcoSystem, DALI, eldoLED 0.1% SOLOdrive 0-10V, eldoLED 1% ECOdrive 0-10V, DMX, Lutron T-series (tunable white).

**Emergency Battery Option:** Remotely-installed, long-life, high-temperature, maintenance-free, Bodine Lithium-Ion battery pack with self-test functionality, test switch and charge indicator. IOTA and Fulham options available upon request. Minimum of 90 minutes operation, and recharge time of 24 hours. For fixtures less than 10W, the battery provides 6W of emergency light output. For fixtures 10W and over, the battery provides 10W.

### PoE

Depending on the PoE manufacturer selected, Lumenwerx will install the node in factory as either integral to the luminaire, or as a remote module. Factory programming of the PoE node may or may not enable the following functionalities: lumen package, Duo (tunable white), emergency battery backup, and sensor integration. These must be addressed and evaluated on a case-by-case basis.

### CONSTRUCTION

**Housing:** Die-cast and extruded aluminum.

**Stem:** Rigid stem and swivel stem 10" to 72" standard length

**Canopy:** Flat, conduit feed, direct, and deep

**Finish:** Textured matte white, black, and champagne. Custom colors also available (provide RAL #). Specular and semi-specular finishes are also available for Baffle.

**Heat sink:** Die-cast aluminum.

### WEIGHT

**8"** - 2.4 lbs - 1.1 kg

**12"** - 3.6 lbs - 1.6 kg

### BAFFLE

Die-cast aluminum

**Baffle style:** Bevel, pinhole, and decorative bevel

### LENS AND ACCESSORIES



Soft diffused lens, Solite



Frosted diffused lens



Clear lens



Linear Spread



Hex Louver

# AERA 4" INFLEX CYLINDER



## PENDANT DIRECT

### ENVIRONMENT

Ambient temperature at fixture location shall be within 0°C/32°F - 25°C/77°F, indoor dry or damp as well as outdoor damp use (canopies or marquees).

### CERTIFICATION

**ETL** - Rated for Indoor Dry/Damp locations. Conforms to UL Standard 1598 and certified to CAN/CSA Standard C22.2 No. 250.0.

### WARRANTY

Lumenwerx provides a five-year limited warranty of electrical and mechanical performance of the luminaires, including the LED boards, drivers, and auxiliary electronics. Lumenwerx will repair or replace defective luminaires or components at our discretion, provided they have been installed and operated in accordance with our specifications. Other limitations apply, please refer to the full warranty on our website.