

AERA 4" MULTI-APERTURE

ROUND RECESSED



Declare.

1 X 3
Bevel Trimless

Array

1 X 2 2 X 2

1 X 3

1 X 4

Aera recessed multi-apertures are true to size, encased in minimalist housing, and suitable additions to any interior space where outstanding optical performance, maximal eye comfort, and/or an industry-leading wall wash are required.

Ceiling Types

Drywall

Millwork

Acoustic Tile

Beam Angles

15° 25° 35° 50° 80° 90° Wall Wash

Low UGR < 10 in 15°, 25°, 35°, and 50° beams

Recessed Adjustable - Max. tilt 35°

Installation Types

New Construction (Type Non-IC, Type-IC, CCEA)

Light Source

Static White
Full Spectrum
SOLA - Dim-to-Warm

Plenum Clearance

As low as 6"

COB

2 Step Color Binning
Up to 95 CRI

Driver

1%, 0.1% Dimming Available
0-10V, TRIAC, ELV, Lutron EcoSystem, DALI
Emergency Battery (optional)

Aera Family (Refer to other spec sheets)

Downlight			Multi-aperture			Cylinder		
2" / 3" / 4"	2" / 3" / 4"	2" / 3" / 4"	2" / 3" / 4"	2" / 3" / 4"	2" / 3" / 4"	2" / 3" / 4" / 5"	2" / 3" / 4" / 5"	2" / 3" / 4" / 5"
Round / Square	Round / Square	Round / Square	Round / Square	Round / Square	Round / Square	4" Seal Pendant	4" Seal Wall	4" Seal Surface
Recessed Adjustable	Recessed	Recessed Wall Wash	Recessed Adjustable	Recessed	Recessed Wall Wash	Pendant Asymmetric Pendant Wall Wash	Wall Asymmetric	Surface Asymmetric Surface Wall Wash



AERA 4" MULTI-APERTURE ROUND RECESSED



Project: _____

Type: _____

Order Guide

1 - Housing (Example: AE4MRR-1X2M-TRM-OF-ASB)

LUMINAIRE ID ¹	ARRAY	TRIM STYLE	INSTALLATION TYPE	MOUNTING OPTION ³
AE4MRR				
AE4MRR - Aera 4" Multi-aperture Round Recessed ¹ Square recessed also available. Consult other spec sheet.	1X2M - 1 X 2 1X3M - 1 X 3 1X4M - 1 X 4 2X2M - 2 X 2	TRM - Flanged trim TLMP - Trimless drywall mudplate TLMW - Trimless millwork	OF - Open Frame Type Non-IC IC ² - Type-IC CP ² - Chicago Plenum Type-IC (CCEA) ² Not available with 20 W output and higher.	ASB - Adjustable standard bar hangers FMB - Flush mount bars ACB - Adjustable commercial bar hangers AHC - Adjustable hat channel bars NA - None ³ See page 4 for more details.

2 - Module (Example: AE4MRRB-SW-15DEG-2STP-90CRI-27K-120V-14W-D1-LSDL+LS-TRM-CL-FTMW-FTMW-NA)

MODULE (Specify order code for each module)	
M1	1 X 2 2 X 2
M2	1 X 3
M3	
M4	1 X 4

LUMINAIRE ID	LIGHT SOURCE	BEAM Specify WW for Wall Wash	COLOR QUALITY	CRI	COLOR TEMP.	VOLTAGE
AE4MRRB - Aera 4" Round Recessed Bevel AE4MRRP - Aera 4" Round Recessed Pinhole AE4MRRAB - Aera 4" Round Recessed Adjustable Bevel AE4MRRAP - Aera 4" Round Recessed Adjustable Pinhole AE4MRRWWB - Aera 4" Round Recessed Wall Wash	SW - Static white FS - Full spectrum SOLA - Dim-to-warm single channel control	15DEG - 15° Narrow spot 25DEG - 25° Spot 35DEG - 35° Narrow flood 50DEG - 50° Wide flood 80DEG - 80° Very wide flood 90DEG - 90° Open flood WW - Wall wash 25DEG - 25° Spot 35DEG - 35° Narrow flood 60DEG - 60° Wide flood 80DEG - 80° Very wide flood 90DEG - 90° Open flood WW - Wall wash	2STP ⁴ - 2 Step MacAdam Ellipse 3STP - 3 Step MacAdam Ellipse 3STP - 3 Step MacAdam Ellipse	90CRI ⁵ - 90 CRI 95CRI - 95 CRI 80CRI ⁵ - 80 CRI 90CRI - 90 CRI	27K - 2700K 30K - 3000K 35K - 3500K 40K - 4000K SOLA 30K18K - 3000K to 1800K 27K18K - 2700K to 1800K	120V - 120V 277V - 277V UNV - 120V-277V 347V ⁶ - 347V ⁶ Available with RD1 driver only. Please consult factory.

WATTAGE PER LIGHT ⁷			DIMMING ^{10, 11}		
RECESSED	RECESSED ADJ.	RECESSED WW	INTEGRAL	REMOTE ¹³	
14W - 14 W output, up to 1538 lm 20W ⁸ - 20 W output, up to 2146 lm 28W ^{8,9} - 28 W output, up to 2882 lm	14W - 14 W output, up to 1348 lm 20W ⁸ - 20 W output, up to 1932 lm 28W ^{8,9} - 28 W output, up to 2594 lm	14W - 14 W output, up to 763 lm 20W ⁸ - 20 W output, up to 1216 lm 28W ⁸ - 28 W output, up to 1632 lm	D1 - 1% 0-10V ELV ¹² - ELV 120V TRI ¹² - TRIAC 120V ¹⁰ A driver provided per light. ¹¹ PoE (Power-over-Ethernet) compatible. Consult factory for details. ¹² Available with 120V only.	RD1 - 1% 0-10V RELV ¹⁴ - ELV 120V RTRI ¹⁴ - TRIAC 120V RLDE1 ¹⁵ - Lutron Hi-lume 1% Eco ¹³ Remote driver boxes (RDB) are provided. Multiple RDBs may be required. See page 3 for details. ¹⁴ Available with 120V only. ¹⁵ On-site commissioning is required. ¹⁶ For emergency battery, code will be like the following example: RD1+EB	RDA ¹⁵ - DALI RELD1 - eldoLED 1% ECOdrive 0-10V RELD0 - eldoLED 0.1% SOLOdrive 0-10V +EB ¹⁶ - Emergency battery
28W ⁸ - 28 W output, up to 1945 lm	28W ⁸ - 28 W output, up to 1945 lm	28W ⁸ - 28 W output, up to 1615 lm	SD1 - Single 0-10V input SELV ¹² - ELV 120V STR1 ¹² - TRIAC 120V	RSD1 - Single 0-10V input RSELV ¹⁴ - ELV 120V RSTR1 ¹⁴ - TRIAC 120V	

ACCESSORIES [*] See page 6 for details	TRIM STYLE Specify same as Housing	LENS [*] See page 6 for details	BAFFLE FINISH Specify NA for Pinhole	TRIM FLANGE FINISH ²⁰ Specify NA for Bevel Trimless & Wall Wash Trimless	OPTION Specify NA for Wall Wash
At light element ^{17, 18} (choose up to 2 options for SW/FS and 1 option for SOLA) Specify NA for Wall Wash LSDL - Soft diffused lens, Solite LFDL - Frosted diffused lens LS - Linear spread HEX ¹⁹ - Hex louver NA - None ¹⁷ Separate codes with a "+" if more than one is specified, e.g. LSDL+LS. ¹⁸ LSDL and LFDL cannot be combined. LS and HEX cannot be combined. ¹⁹ Not available with 80°/90° beam options.	TRM - Flanged trim TLMP - Trimless drywall mudplate TLMW - Trimless millwork	At baffle (choose 1 option) Specify NOL for Pinhole & WW for Wall Wash SDL - Soft diffused lens, Solite FDL - Frosted diffused lens CL - Clear lens NOL - No lens WW - Wall wash diffuser	FTMW - Textured matte white FTMB - Textured matte black FSPC - Specular FSSPC - Semi-specular FCHP - Champagne CF# - Custom finish, specify RAL# NA - Not applicable	FTMW - Textured matte white FTMB - Textured matte black FSPC - Specular FSSPC - Semi-specular FCHP - Champagne CF# - Custom finish, specify RAL# NA - Not applicable ²⁰ A trim flange finish option must be specified for pinhole. See page 5 for details.	WET ²¹ - Wet location NA - None ²¹ Must be specified with the bevel (AE4MRRB or AE4MRRAB), flanged trim (TRM), and either SDL, FDL, or CL lens options.

* LSDL or LFDL at light element cannot be combined with SDL or FDL at baffle.

www.lumenwerx.com
T (514) 225-4304

© Lumenwerx, ULC. All rights reserved.



Lumenwerx reserves the right to modify product specifications without notification.

AERA4-MULTI-APERTURE-ROUND-SPEC-REV6 April 22, 2024



AERA 4" MULTI-APERTURE ROUND RECESSED



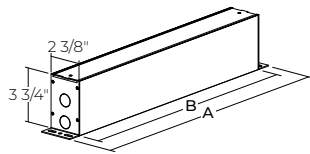
Housing

INSTALLATION TYPES				
OF - Open Frame Type Non-IC				
	1X2	1X3	1X4	2X2
A	20 3/16"	28 3/16"	36 3/16"	20 3/16"
B		13 1/4"		21 1/4"
C	6"			
D	8" (center-to-center spacing)			
E	5 1/2" (center-to-end spacing)			
IC - Type-IC / CP - Chicago Plenum Type-IC (CCEA)				
	1X2	1X3	1X4	2X2
A	20 3/16"	28 3/16"	36 3/16"	20 3/16"
B		11"		19"
C	6 7/16"			
D	8" (center-to-center spacing)			
E	5 1/2" (center-to-end spacing)			

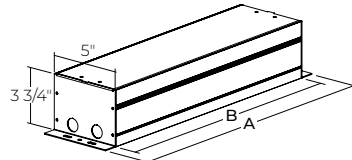
- For OF, IC, and CP installation types with remote dimming, a remote driver box is provided.

REMOTE DRIVER BOX

RDB8 / RDB18 / RDB24



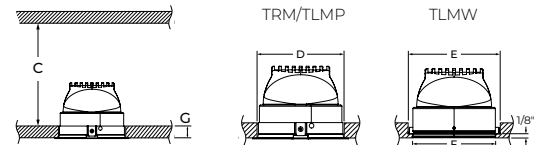
RDB24W



	RDB8	RDB18	RDB24	RDB24W
A	10"	20"	26"	26"
B	8"	18"	24"	24"
DRIVER	RD1 - 1% 0-10V RELV - ELV 120V RTRI - TRIAC 120V SOLA RSD1 - Single 0-10V input RSELV - ELV 120V RSTRI - TRIAC 120V	RLDE1 - Lutron Hi-lume 1% Eco RDA - DALI RELD1 - eldoLED 1% ECOdrive 0-10V RELD0 - eldoLED 0.1% SOLOdrive 0-10V	Emergency battery (+EB) with the following driver options. RD1+EB - 1% 0-10V RELV+EB - ELV 120V RTRI+EB - TRIAC 120V	Emergency battery (+EB) with the following driver options. RLDE1+EB - Lutron Hi-lume 1% Eco RDA+EB - DALI RELD1+EB - eldoLED 1% ECOdrive 0-10V RELD0+EB - eldoLED 0.1% SOLOdrive 0-10V

- Multiple remote driver boxes may be required for multiple light modules.

PLENUM CLEARANCE & CUT-OUT DIMENSIONS



PLENUM CLEARANCE HEIGHT			
REMOTE & INTEGRAL			
	OF	IC	CP
C	6"	6 7/16"	
CUT-OUT DIMENSIONS			
D	TRM/TLMP	Ø 4 1/2"	
E	TLMW	Ø 4 1/2"	
F		Ø 4 1/16" with 1/8" lip	
MAXIMUM CEILING THICKNESS			
		RECESSED RECESSED WW	RECESSED ADJ.
G	TRM/TLMP	13/8"	1 1/2"
	TLMW	5/8"	

AERA 4" MULTI-APERTURE

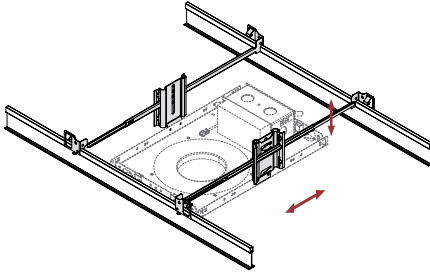
ROUND RECESSED



Housing

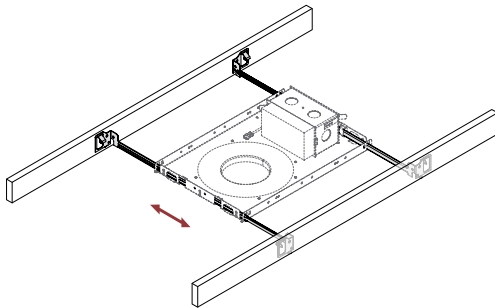
MOUNTING OPTIONS

ASB - Adjustable Standard Bar Hangers



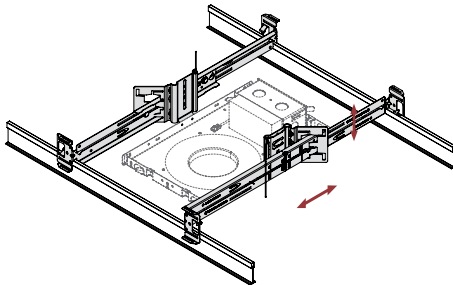
Adjustable Standard Bar hangers can be used in both commercial and residential applications and are adjustable to various heights in both Grid Ceiling and Drywall mounting. ASB hangers are less rigid and versatile than ACB hangers.

FMB - Flush Mount Bars



Flush Mount Bars are best used in residential applications, fitting snug to the surface and suitable for Wood, Metal, and Drywall mounting. The flush mounted bars are static and can't be adjusted.

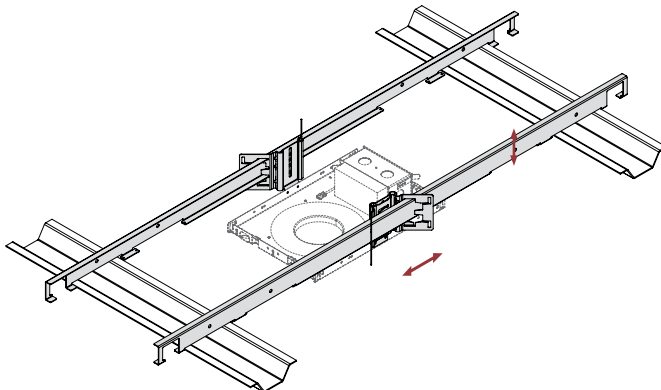
ACB - Adjustable Commercial Bar Hangers



Adjustable Commercial Bar hangers can be used in both commercial and residential applications and are by far the most versatile mounting bar we offer with its adjustability to various heights. ACB hangers are suitable for Grid Ceiling, Drywall, Metal, Wood and Frame mounting.

- Extremely rigid
- Fits into C-Channel notches in a Butterfly Bracket

AHC - Adjustable Hat Channel Bars



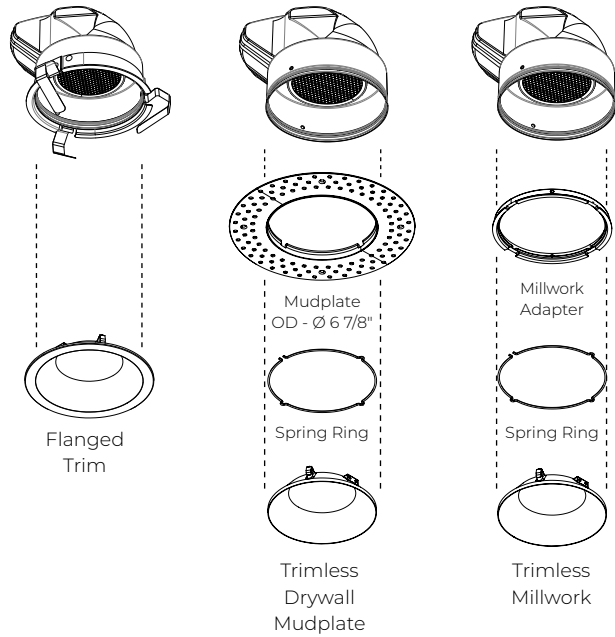
Adjustable Hat Channel bars can be used in both commercial and residential applications and come with a butterfly clip to adjust to various heights. AHC bars can be hung downward by 90 degrees in vertical position, and once wired, can be shifted onto the horizontal mounting plane. AHC bars are suitable for both Drywall and wood ceiling applications.

AERA 4" MULTI-APERTURE ROUND RECESSED

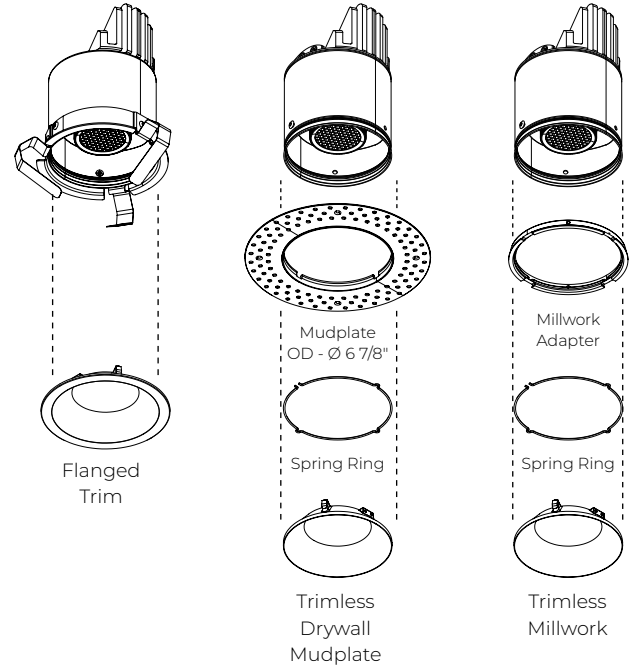


Light & Baffle

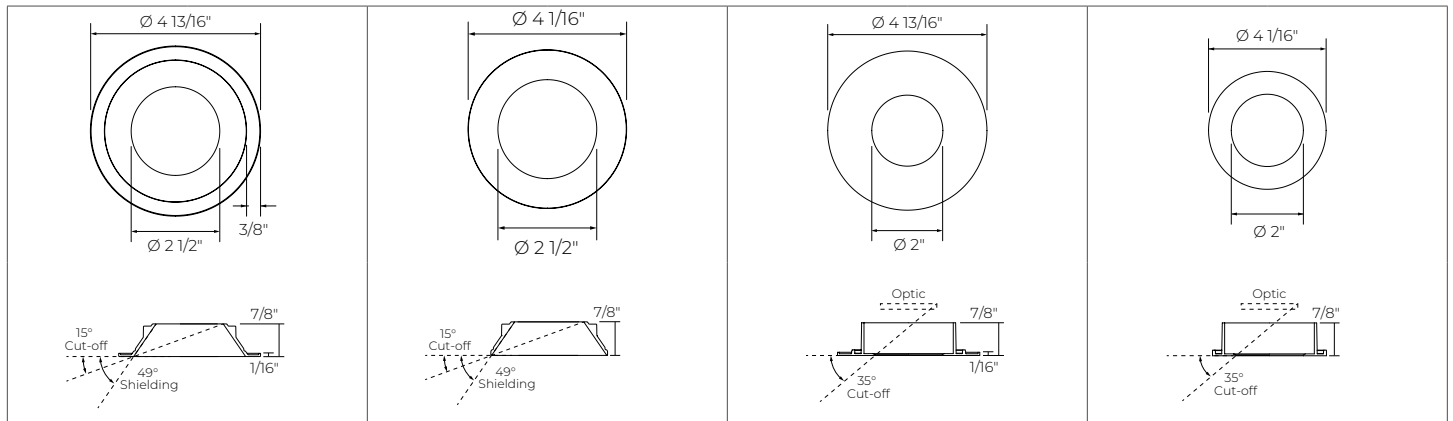
RECESSED



RECESSED ADJUSTABLE



Bevel		Pinhole	
TRM Flanged Trim	TLMP/TLMW Trimless Drywall Mudplate /Trimless Millwork	TRM Flanged Trim	TLMP/TLMW Trimless Drywall Mudplate /Trimless Millwork

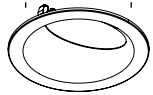
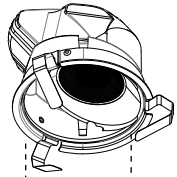


AERA 4" MULTI-APERTURE ROUND RECESSED

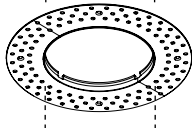
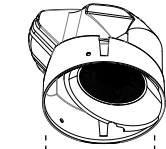


Light & Baffle

RECESSED WALL WASH



Flanged
Trim



Mudplate
OD - \varnothing 6 7/8"



Trimless
Drywall
Mudplate



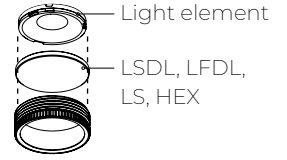
Millwork
Adapter



Spring
Ring

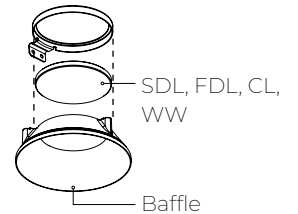
Trimless
Millwork

LENS AND ACCESSORIES



Light element

LSDL, LFDL,
LS, HEX



SDL, FDL, CL,
WW

Baffle

Wall Wash	
TRM Flanged Trim	TLMP/TLMW Trimless Drywall Mudplate /Trimless Millwork
<p> Baffle finish</p> <p> Trim flange finish</p>	

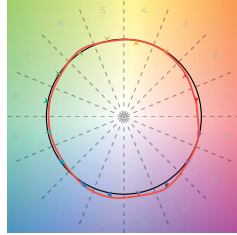
AERA 4" MULTI-APERTURE ROUND RECESSED



Color Quality

COLOR QUALITY - 3500K

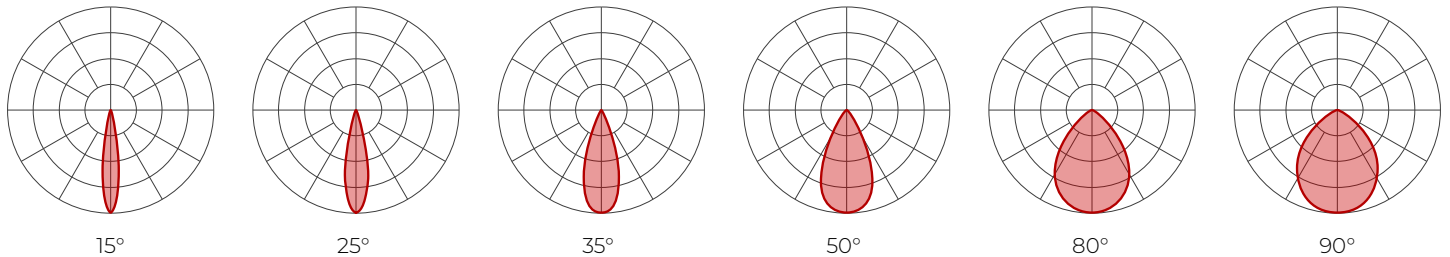
TM-30 R _t	90
TM-30 R _a	100
CRI	90
R9	> 50



Photometrics

RECESSED - STATIC WHITE

Values calculated based on 3500K, bevel baffle, and SDL lens option. All values are per light.



Delivered lumens

CRI	90 CRI						95 CRI						80 CRI					
	15°	25°	35°	50°	80°	90°	15°	25°	35°	50°	80°	90°	15°	25°	35°	50°	80°	90°
14 W	1399	1437	1384	1356	1220	1220	1077	1106	1066	1044	940	940	1497	1538	1481	1451	1306	1306
20 W	1952	2006	1931	1893	1704	1704	1503	1545	1487	1458	1312	1312	2089	2146	2066	2026	1823	1823
28 W	2621	2693	2593	2541	2287	2287	2018	2074	1997	1957	1761	1761	2804	2882	2775	2719	2447	2447

Efficacy

CRI	90 CRI						95 CRI						80 CRI					
	15°	25°	35°	50°	80°	90°	15°	25°	35°	50°	80°	90°	15°	25°	35°	50°	80°	90°
14 W	100	103	99	97	87	87	77	79	76	75	67	67	107	110	106	104	93	93
20 W	98	100	97	95	85	85	75	77	74	73	66	66	104	107	103	101	91	91
28 W	94	96	93	91	82	82	72	74	71	70	63	63	100	103	99	97	87	87

MULTIPLIERS

Please follow the multiplier tables to ensure correct lumen value. Beams, CCT, baffle styles, baffle colors, lensing and accessories will change the lumen value.

CCT		BAFFLE STYLE AND COLOR		LENS * (At baffle)		ACCESSORIES * (At light element)	
2700K	0.9	Flanged trim	1	SDL - Soft diffused lens, Solite	1	LSDL - Soft diffused lens, Solite	1
3000K	0.95	Trimless	1	FDL - Frosted lens	0.8	LFDL - Frosted lens	0.8
3500K	1	Bevel	1	CL - Clear lens	1.1	LS - Linear spread	0.84
4000K	1.05	Wet bevel	1	NOL - No lens	1.1	HEX - Hex louver	0.86
		Pinhole	0.92	* When more than one lens or accessory is specified, multiply together the value of each lens and/or accessory. e.g. NOL + LSDL + LS = 1.1 x 1 x 0.84 = 0.924			
		White	1				
		Black	1				

AERA 4" MULTI-APERTURE

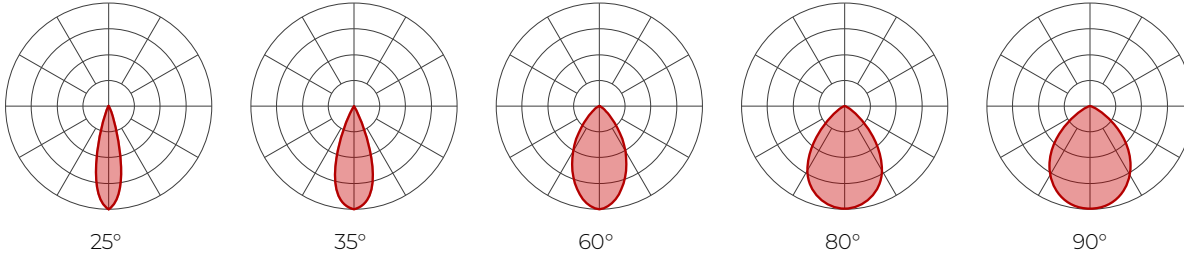
ROUND RECESSED



Photometrics

RECESSED - SOLA

Values calculated based on bevel baffle and SDL lens option. All values are per light.



SOLA

BEAM		25°		35°		60°		80°		90°	
		lm	lm/W	lm	lm/W	lm	lm/W	lm	lm/W	lm	lm/W
28 W	3000K	1920	69	1945	69	1850	66	1590	57	1460	52
	2700K	1920	69	1945	69	1850	66	1590	57	1460	52

MULTIPLIERS

Please follow the multiplier tables to ensure correct lumen value. Beams, CCT, baffle styles, baffle colors, lensing and accessories will change the lumen value.

BAFFLE STYLE AND COLOR		LENS * (At baffle)		ACCESSORIES * (At light element)	
Flanged trim	1	SDL - Soft diffused lens, Solite	1	LSDL - Soft diffused lens, Solite	1
Trimless	1	FDL - Frosted lens	0.8	LFDL - Frosted lens	0.8
Bevel	1	CL - Clear lens	1.1	LS - Linear spread	0.84
Wet bevel	1	NOL - No lens	1.1	HEX - Hex louver	0.86
Pinhole	0.92	* When more than one lens or accessory is specified, multiply together the value of each lens and/or accessory. e.g. NOL + LSDL = 1.1 x 1 = 1.1			
White	1				
Black	1				

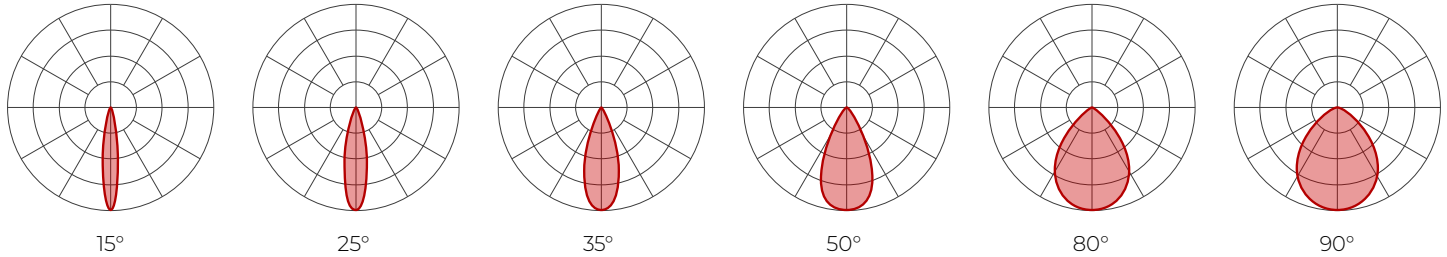
AERA 4" MULTI-APERTURE ROUND RECESSED



Photometrics

RECESSED ADJUSTABLE - STATIC WHITE

Values calculated based on 3500K, bevel baffle, and SDL lens option. All values are per light.



Delivered lumens

BEAM	90 CRI						95 CRI						80 CRI					
	15°	25°	35°	50°	80°	90°	15°	25°	35°	50°	80°	90°	15°	25°	35°	50°	80°	90°
14 W	1226	1260	1213	1189	1070	1070	944	970	934	916	824	824	1312	1348	1298	1272	1145	1145
20 W	1758	1806	1739	1704	1534	1534	1354	1391	1339	1312	1181	1181	1881	1932	1861	1823	1641	1641
28 W	2359	2424	2334	2287	2058	2058	1816	1867	1797	1761	1585	1585	2524	2594	2498	2447	2202	2202

Efficacy

BEAM	90 CRI						95 CRI						80 CRI					
	15°	25°	35°	50°	80°	90°	15°	25°	35°	50°	80°	90°	15°	25°	35°	50°	80°	90°
14 W	88	90	87	85	76	76	67	69	67	65	59	59	94	96	93	91	82	82
20 W	88	90	87	85	77	77	68	70	67	66	59	59	94	97	93	91	82	82
28 W	84	87	83	82	74	74	65	67	64	63	57	57	90	93	89	87	79	79

MULTIPLIERS

Please follow the multiplier tables to ensure correct lumen value. Beams, CCT, baffle styles, baffle colors, lensing and accessories will change the lumen value.

CCT		BAFFLE STYLE AND COLOR		LENS * (At baffle)		ACCESSORIES * (At light element)	
2700K	0.9	Flanged trim	1	SDL - Soft diffused lens, Solite	1	LSDL - Soft diffused lens, Solite	1
3000K	0.95	Trimless	1	FDL - Frosted lens	0.8	LFDL - Frosted lens	0.8
3500K	1	Bevel	1	CL - Clear lens	1.1	LS - Linear spread	0.84
4000K	1.05	Wet bevel	1	NOL - No lens	1.1	HEX - Hex louver	0.86
		Pinhole	0.92	* When more than one lens or accessory is specified, multiply together the value of each lens and/or accessory. e.g. NOL + LSDL + LS = 1.1 x 1 x 0.84 = 0.924			
		White	1				
		Black	1				

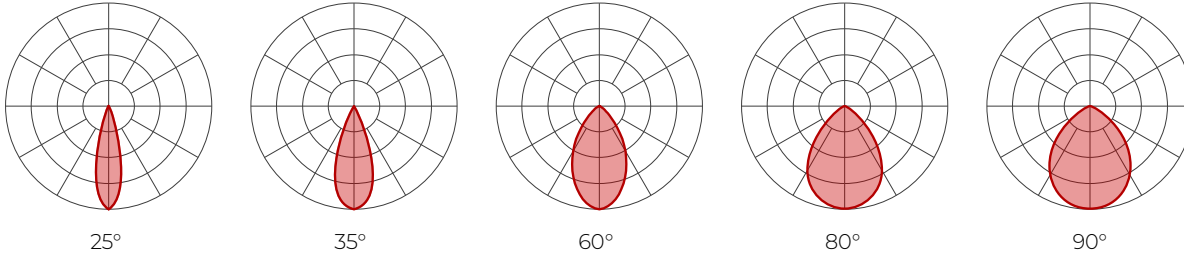
AERA 4" MULTI-APERTURE ROUND RECESSED



Photometrics

RECESSED ADJUSTABLE - SOLA

Values calculated based on bevel baffle and SDL lens option. All values are per light.



SOLA

BEAM		25°		35°		60°		80°		90°	
		lm	lm/W	lm	lm/W	lm	lm/W	lm	lm/W	lm	lm/W
28 W	3000K	1920	69	1945	69	1850	66	1590	57	1460	52
	2700K	1920	69	1945	69	1850	66	1590	57	1460	52

MULTIPLIERS

Please follow the multiplier tables to ensure correct lumen value. Beams, CCT, baffle styles, baffle colors, lensing and accessories will change the lumen value.

BAFFLE STYLE AND COLOR		LENS * (At baffle)		ACCESSORIES * (At light element)	
Flanged trim	1	SDL - Soft diffused lens, Solite	1	LSDL - Soft diffused lens, Solite	1
Trimless	1	FDL - Frosted lens	0.8	LFDL - Frosted lens	0.8
Bevel	1	CL - Clear lens	1.1	LS - Linear spread	0.84
Wet bevel	1	NOL - No lens	1.1	HEX - Hex louver	0.86
Pinhole	0.92	* When more than one lens or accessory is specified, multiply together the value of each lens and/or accessory. e.g. NOL + LSDL = 1.1 x 1 = 1.1			
White	1				
Black	1				

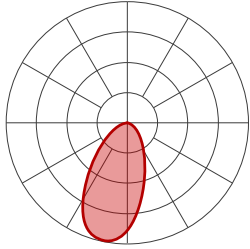
AERA 4" MULTI-APERTURE ROUND RECESSED



Photometrics

RECESSED WALL WASH

Values calculated with white wall wash baffle, and based on 3500K for static white. All values are per light.



STATIC WHITE

CRI	90 CRI		95 CRI		80 CRI	
	lm	lm/W	lm	lm/W	lm	lm/W
14 W	713	51	549	39	763	54
20 W	1136	57	875	44	1216	61
28 W	1525	54	1174	42	1632	58

SOLA

CRI	lm	lm/W	
			28 W
	2700K	1615	58

MULTIPLIERS

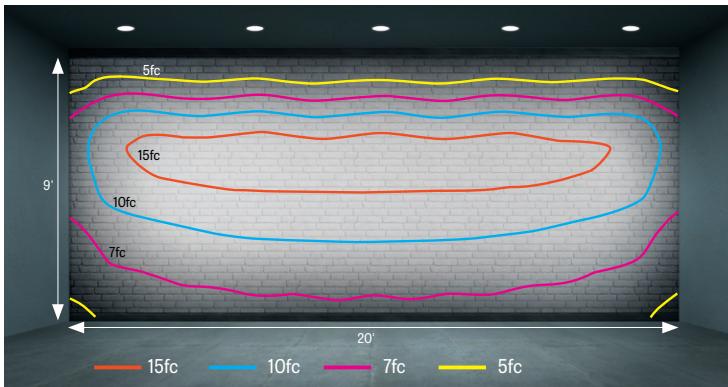
Please follow the multiplier tables to ensure correct lumen value. CCT and baffle colors will change the lumen value.

CCT		BAFFLE STYLE AND COLOR	
STATIC WHITE		Flanged trim	1
2700K	0.9	Trimless	1
3000K	0.95	White	1
3500K	1	Black	1
4000K	1.05		

UNIFORMITY

Values calculated based on 3500K and white wall wash baffle.

24" from Wall - 36" Spacing



Foot-candles

FC ON WALL	24" FROM WALL - 24" SPACING			24" FROM WALL - 36" SPACING			24" FROM WALL - 48" SPACING			24" FROM WALL - 60" SPACING		
	90 CRI	95 CRI	80 CRI	90 CRI	95 CRI	80 CRI	90 CRI	95 CRI	80 CRI	90 CRI	95 CRI	80 CRI
ABOVE FINISHED FLOOR												
9'	11	9	12	7	5	7	6	5	6	5	4	6
8'	51	39	54	31	24	33	27	20	28	25	19	26
7'	70	54	74	45	34	48	36	28	39	33	25	35
6'	61	47	65	40	31	43	31	24	33	27	21	29
5'	47	36	50	31	24	34	24	18	25	20	15	21
4'	36	28	39	25	19	26	18	14	20	15	12	16
3'	29	22	31	20	15	21	14	11	15	12	9	13
2'	24	18	26	16	13	18	12	9	13	10	8	11
1'	21	16	22	14	11	15	10	8	11	9	7	9

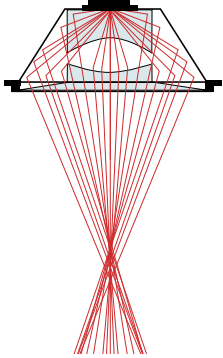
AERA 4" MULTI-APERTURE

ROUND RECESSED

Technical Specifications

OPTIC

XPoint™ Refraction Technology optics provide precise optical control in a remarkably compact form. Micro optical paths from the chip on board converge and then disperse in precise beam angles, resulting in a crisp and exacting light quality.



LIGHT SOURCE

Static white

Compact COB (Chip-On-Board) LED module, available in 2700K, 3000K, 3500K and 4000K with a choice of 80 CRI, 90 CRI, or 95 CRI, with elevated R9 value for 90 CRI and above. Color consistency is maintained to within 2 SDCM. All LEDs have been tested in accordance with IESNA LM-80-08 and the results have shown L80 lumen maintenance greater than 60,000 hours. Absolute product photometry is measured and presented in accordance with IESNA LM-79, unless otherwise indicated.

Full spectrum

The full spectrum LED option offers improved color particularly in the cyan region which helps increase Cyanosis Observation Index (COI) and assist in regulating circadian rhythms. The cyan region in full spectrum LED is richer at the 480 nm range.

Chromawerx SOLA

Chromawerx SOLA is single-channel control that dims output while warming the color temperature in a pre-determined relationship. Two color temperature range options are offered: 3000K to 1800K, and 2700K to 1800K. A simple analog control adjusts a specially populated LED array to emulate the effect of dimming a filament source.

ELECTRICAL

Unless otherwise specified, dimming down to 1%. At maximum driver load: efficiency>84%, PF>0.9, THD<20%.

Integral: 0-10V, ELV, TRIAC

Remote: 0-10V, ELV, TRIAC, Lutron Hi-Lume 1% EcoSystem, DALI, eldoLED 0.1% SOLOdrive 0-10V, eldoLED 1% ECOdrive 0-10V

Emergency battery options: Remotely-installed, long-life, high-temperature, maintenance-free, Bodine Lithium-Ion battery pack with self-test functionality, test switch and charge indicator. IOTA and Fulham options available upon request. Minimum of 90 minutes operation, and recharge time of 24 hours. For fixtures less than 10 W, the battery provides 6 W of emergency light output. For fixtures 10 W and over, the battery provides 10 W.

PoE

Depending on the PoE manufacturer selected, Lumenwerx will install the node in factory as either integral to the luminaire or as a remote module. Factory programming of the PoE node may or may not enable the following functionalities: lumen package, DUO (tunable white), QUADRO (RGBW), emergency battery backup, and sensor integration. These must be addressed and evaluated on a case-by-case basis.

CONSTRUCTION

Housing

For new construction, 20 gauge powder coated steel. Open frame, type-IC, or Chicago Plenum (CCEA) rated. 18 gauge galvanized steel junction box with ½" trade size knockouts. Adjustable hanger bars and butterfly brackets are included. Adjustable commercial hat channel and flush mounted brackets are also available.

Light element

Adjustability: Hot aiming, 355° rotation and 35° vertical tilt with shift to ensure beam stays centered (Recessed Adjustable only).

LED module: Integral COB module. 90 CRI and 2 SDCM, Standard with options of 80 CRI, or 95 CRI. L80 > 60,000 hours.

XPoint™ Refraction Technology optic: Micro optical paths from the chip on board converge and then disperse in precise beam angles, resulting in a crisp and exacting light quality.

Thermal management: Cold-forged aluminum heat sink to maximize thermal dissipation.

Baffle: Die-cast aluminum mounted with retaining spring clips

Trim style: Trimmed and trimless with mudplate or millwork adapter

WEIGHT

	Open frame	Type-IC / Chicago Plenum
1 X 2	10.5 lbs - 4.8 kg	13.5 lbs - 6.1 kg
1 X 3	14.5 lbs - 6.6 kg	16.5 lbs - 7.5 kg
1 X 4	18.5 lbs - 8.4 kg	20.5 lbs - 9.3 kg
2 X 2	20.5 lbs - 9.3 kg	22.5 lbs - 10.2 kg

AERA 4" MULTI-APERTURE

ROUND RECESSED



LENS AND ACCESSORIES

Recessed / Recessed adjustable



Soft diffused lens, Solite



Frosted diffused lens



Clear lens



Linear spread



Hex louver

Recessed wall wash



Wall wash

ENVIRONMENT

Ambient temperature at fixture location shall be within 0°C/32°F - 25°C/77°F, indoor dry or damp as well as outdoor damp use (canopies or marquees).

CERTIFICATIONS

ETL: Rated for indoor dry/damp locations. Conforms to UL Standard 1598 and certified to CAN/CSA Standard C22.2 No. 250.0.

IP44: IP44 rated for bathrooms, showers, outdoor canopies, and marquees when specified with the wet location (WET) option.

Chicago Plenum: City of Chicago approved (CCEA) when specified with CP installation type option.

IC rated: Suitable for direct contact with insulation when specified with IC or CP installation type options.

Declare: [LBC Red List Approved](#)

WARRANTY

Lumenwerx provides a five-year limited warranty on electrical and mechanical performance of the luminaires, including the LED boards, drivers, and auxiliary electronics. Lumenwerx will repair or replace defective luminaires or components at our discretion, provided they have been installed and operated in accordance with our specifications. Other limitations apply, please refer to the full warranty on our website.