


AERA 4 SEAL CYLINDER


Pendant

LUMENWERX

 This product must be installed in accordance with the National Electrical Code and all applicable local codes, by a person familiar with the construction and operation of the product, and the hazards involved. Proper grounding is required for safety.

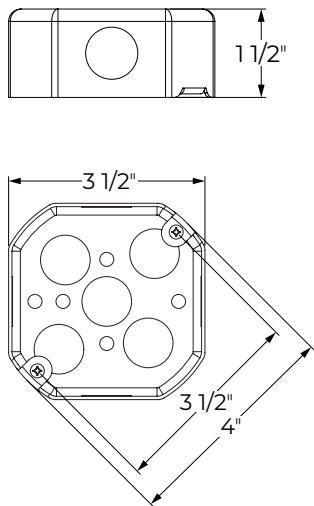
Ce produit doit être installé suivant le code national de l'électricité, ainsi que tous les codes locaux applicables, par une personne familière avec la construction et le fonctionnement du produit, ainsi que tous les risques qui y sont associés. La mise à terre électrique est obligatoire pour la sécurité.

 Wire dimming conductors as Class 1.

 For electrical connections, please refer to the [Wiring Diagram Guide](#).

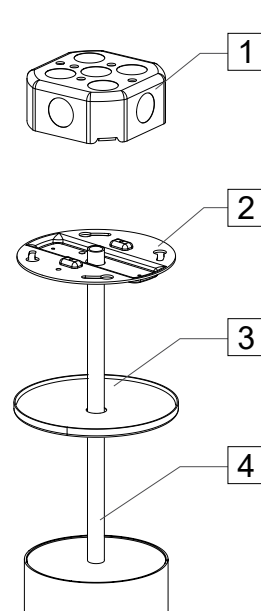
OVERVIEW

Junction box (by others)



Standard 4" octagonal junction box

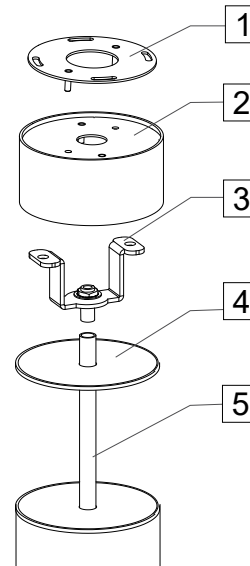
Flat round canopy



Flat canopy items list

1	Junction box (by others)
2	Mounting plate
3	Flat canopy
4	Stem

Direct mount



Direct Mount items list

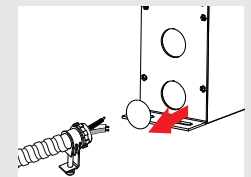
1	Ceiling bracket
2	Gasketed direct mount housing
3	Stem bracket
4	Bottom cover
5	Stem

Tools required

- Philips screwdriver
- Gypsum cutter or milling hand tool
- Nut driver size 11/32" (for 8-32 nuts)



For remote driver box, please refer to the [remote driver installation sheet](#) for more information.



AERA 4 SEAL CYLINDER

Pendant

LUMENWERX

FLAT CANOPY

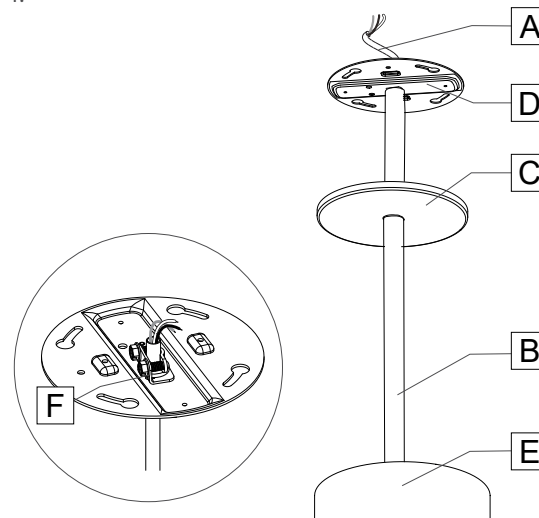
1 INSTALL POWER CORD AND STEM.

Caution: Make sure the electrical power is turned off.

Pass the cable [A] through the stem [B], the canopy [C] and the mounting plate [D].

Screw the stem [B] onto the fixture [E].

Tighten the cord grip [F].

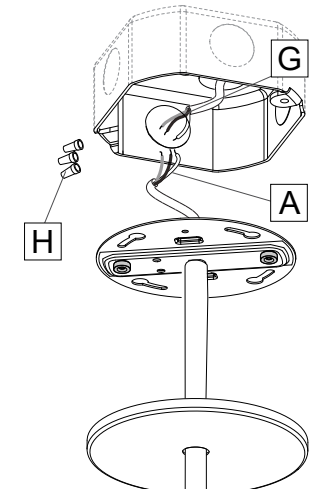


2 MAKE ELECTRICAL CONNECTIONS.

Make electrical connections between the fixture cable [A] and the main power [C] using wire nuts [H] (by others).

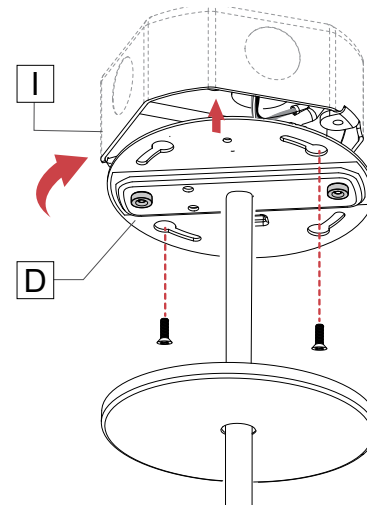
Warning: A luminaire with more than one power supply connection means shall be connected to only one branch circuit

Note: Number of wires may vary.



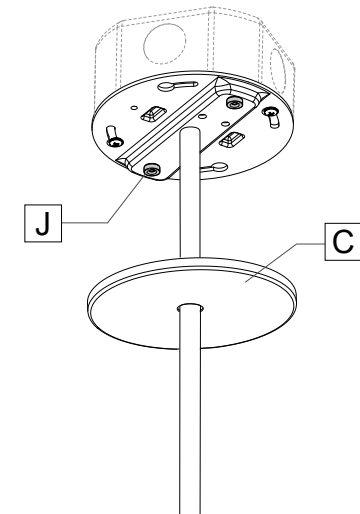
3 FIX MOUNTING PLATE.

Raise the fixture and mount the mounting plate [D] on the junction box [I], rotate it and secure it to the ceiling by tightening with screws (by others).



4 MOUNT CANOPY.

Slide the canopy [C] up to secure it in place with the provided magnets [J].



AERA 4 SEAL CYLINDER

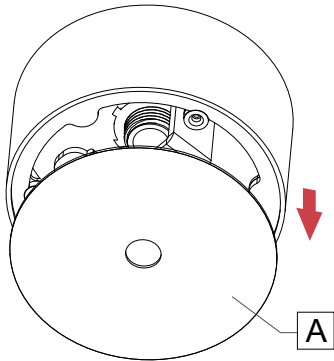
Pendant

LUMENWERX

DIRECT MOUNT

1 REMOVE BOTTOM COVER.

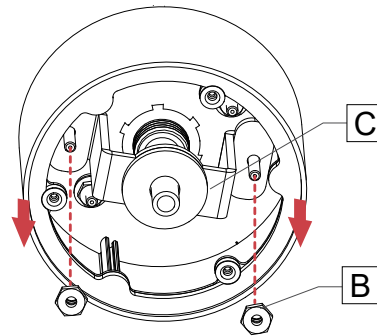
Remove the bottom cover [A] from the magnets by pulling it.



2 REMOVE STEM BRACKET.

Remove all the nuts and sealing washers [B], remove the stem bracket [C] and the ceiling bracket.

Keep nuts and washers in a safe place.

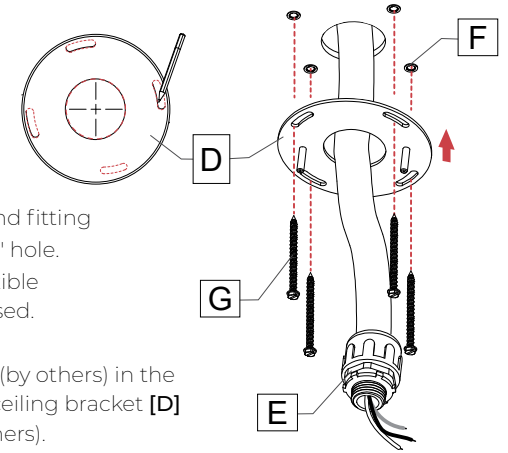


3 INSTALL CEILING BRACKET.

Locate where the fixture will be installed. Use the ceiling bracket [D] as a model to mark 4 mounting points and a $\varnothing 2"$ hole.

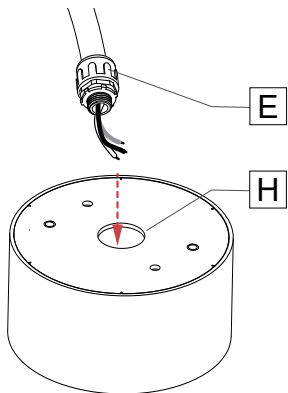
Pass the watertight conduit and fitting [E] (by others) through the $\varnothing 2"$ hole. A non metallic liquid-tight flexible conduit system needs to be used.

Install the drywall anchors [F] (by others) in the marked holes and install the ceiling bracket [D] with drywall screws [G] (by others).



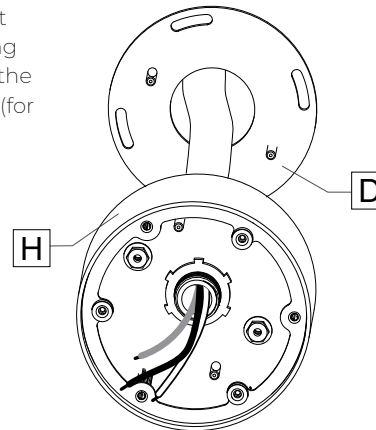
4 ATTACH CONDUIT FITTING.

Connect the 1/2" watertight conduit fitting [E] (by others) to the $\varnothing 7/8"$ hole on direct mount housing top plate [H]. Make sure the fitting is tightened.



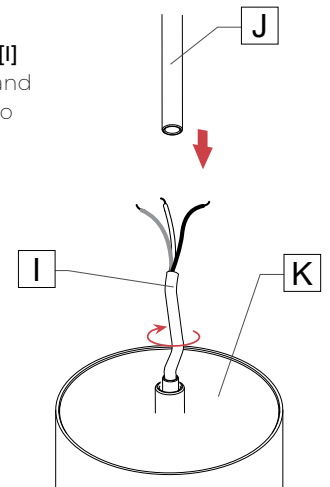
5 ATTACH DIRECT MOUNT HOUSING.

Attach the direct mount housing [H] to the ceiling bracket [D]. Make sure the nuts are well tightened (for a good seal).



6 INSTALL POWER CORD AND STEM.

Pass the fixture cable [I] through the stem [J] and screw the stem [J] onto the fixture [K].



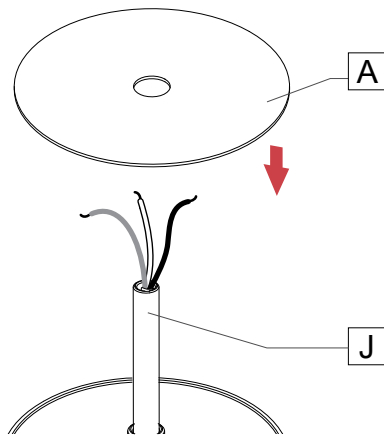
AERA 4 SEAL CYLINDER

Pendant

LUMENWERX

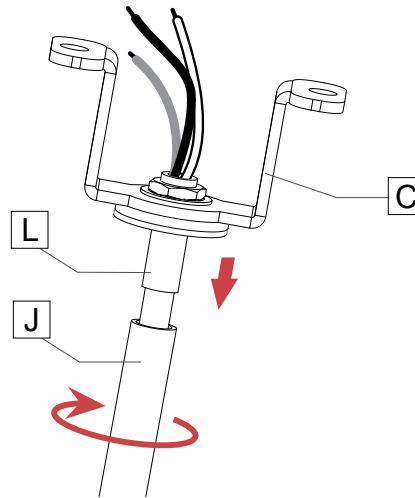
7 SLIDE BOTTOM COVER.

Slide the bottom cover [A] over the stem [J].



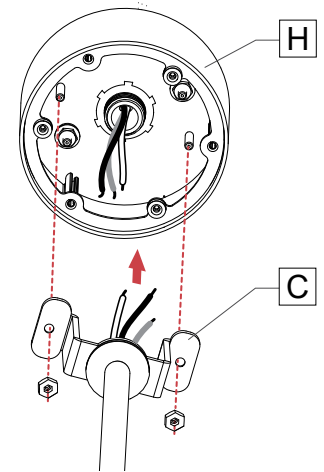
8 ATTACH STEM BRACKET.

Attach the stem bracket [C] to the stem [J] using the nipple [L].



9 ATTACH STEM BRACKET.

Attach the stem bracket [C] to the direct mount housing [H].

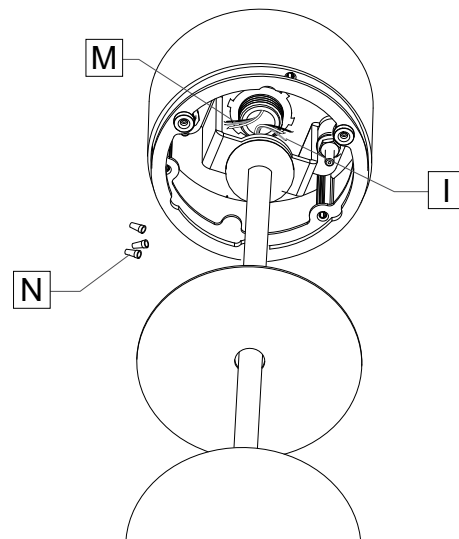


10 MAKE ELECTRICAL CONNECTIONS.

Make electrical connections between the fixture cable [I] and the main power [M] using wire nuts [N] (by others).

Warning: A luminaire with more than one power supply connection means shall be connected to only one branch circuit.

Note: Number of wires may vary.



11 REINSTALL BOTTOM COVER.

Slide the bottom cover [A] up to secure it in place with the provided magnets [O].

