

AERA 4" SEAL CYLINDER



PENDANT

DIRECT/INDIRECT, DIRECT





8" Height



10" Height



12" Height

Beam Angles



15° 25° 35° 50° 80° 90° 80°-Up

Low UGR < 10 in 15°, 25°, 35°, and 50° beams

Performance

| LUMEN OUTPUT ¹ | WATTS | EFFICACY |
|---------------------------|-------|----------|
| 1308 lm | 14 W | 93 lm/W |
| 1824 lm | 20 W | 91 lm/W |
| 2450 lm | 28 W | 87 lm/W |

¹ Lumen packages are assuming 3500K, 80 CRI, 25° beam, gasketed bevel baffle, LSDL lens option.

Light Source

Static White
 SOLA - Dim-to-Warm
 DUO - Tunable White



COB

2 Step Color Binning
 Up to 95 CRI

Driver

1%, 0.1% Dimming Available
 0-10V, TRIAC, ELV, Lutron EcoSystem, DALI, DMX
 Emergency Battery (optional)

Mounting Options



Flat Stem Direct Stem

Certification



Aera Family (Refer to other spec sheets)




Downlight

| | | |
|--|---|---|
|  |  |  |
| 2" / 3" / 4" Round / Square Recessed Adjustable | 2" / 3" / 4" Round / Square Recessed | 2" / 3" / 4" Round / Square Recessed Wall Wash |

Multi-aperture

| | | |
|---|---|---|
|  |  |  |
| 2" / 3" / 4" Round / Square Recessed Adjustable | 2" / 3" / 4" Round / Square Recessed | 2" / 3" / 4" Round / Square Recessed Wall Wash |

Cylinder

| | | |
|---|---|---|
|  |  |  |
| 2" / 3" / 4" / 5" 4" Seal Pendant Pendant Asymmetric Pendant Wall Wash | 2" / 3" / 4" / 5" 4" Seal Wall Wall Asymmetric | 2" / 3" / 4" / 5" 4" Seal Surface Surface Asymmetric Surface Wall Wash |



AERA 4" SEAL CYLINDER



PENDANT

DIRECT/INDIRECT, DIRECT

Project: _____

Type: _____

Order Guide

| LUMINAIRE ID | DISTRIBUTION | ENVIRONMENT | CYLINDER HEIGHT | | CYLINDER FINISH ³ | BAFFLE STYLE | BAFFLE FINISH |
|---|--|--|--|--|--|------------------------------|---|
| AE4SEALCYP | | | | | | BVLG | |
| AE4SEALCYP ¹ - Aera 4" Seal Cylinder Pendant | DI - Direct/Indirect D - Direct | STR - Standard temperature range, 0°C to 25°C (32°F to 77°F) ETR - Extended temperature range, -30°C to 40°C (-22°F to 104°F) | DIRECT/INDIRECT 10IN - 10" 12IN - 12" 14IN - 14" CH#IN ² - Custom height | DIRECT 8IN - 8" 10IN - 10" 12IN - 12" | FTMWE - Textured matte white exterior finish FTMBE - Textured matte black exterior finish | BVLG - Gasketed bevel | FTMW - Textured matte white FTMB - Textured matte black FSSPC - Specular FSSPC - Semi-specular CF# - Custom finish, specify RAL# |
| ¹ IP66 rated gasketed construction with an additional clear tempered glass lens. | | | ² Specify height (#) in 1" increments only. Up to maximum 36". | | ³ Consult factory for custom exterior finishes. | | |

| LIGHT SOURCE | DIRECT BEAM | COLOR QUALITY | CRI | COLOR TEMP. | ACCESSORY ⁶ See page 3 for details | VOLTAGE |
|--|---|--|---|--|---|---|
| SW - Static white | 15DEG - 15° Narrow spot 25DEG - 25° Spot 35DEG - 35° Narrow flood | 2STP - 2 Step MacAdam Ellipse 3STP - 3 Step MacAdam Ellipse | 90CRI - 90 CRI 95CRI - 95 CRI 80CRI - 80 CRI | 27K - 2700K 30K - 3000K 35K - 3500K 40K - 4000K | At light element (choose up to 1 option) LSDL - Soft diffused lens, Solite LFDL - Frosted diffused lens NA - None | 120V - 120V 277V - 277V UNV - 120V-277V 347V ⁷ - 347V |
| SOLA - Dim-to-warm single channel control DUO - Tunable white 2-channel control | 50DEG - 50° Wide flood 80DEG - 80° Very wide flood 90DEG - 90° Open flood 50DEG - 50° Wide flood | 3STP - 3 Step MacAdam Ellipse | 90CRI - 90 CRI | SOLA ⁴ - Dim-to-warm single channel control DUO ⁵ - Tunable white 2-channel control | ⁶ For SOLA/DUO, one of the following lenses must be specified: LSDL or LFDL. | ⁷ Available with RD1 driver only. Please consult factory. |
| | | | | ⁴ 3500K to 2200K ⁵ 6500K to 2700K | | |

| DIRECT WATTAGE | INDIRECT WATTAGE Specify NA for Direct | DIMMING ¹¹ | ELECTRICAL | | |
|--|---|--|---|---|---|
| 14W - 14 W output, up to 1308 lm 20W - 20 W output, up to 1824 lm 28W ^{8,9} - 28 W output, up to 2450 lm | 14W ¹⁰ - 14 W output, up to 827 lm 20W ⁹ - 20 W output, up to 1163 lm NA - Not applicable | INTEGRAL D1 - 1% 0-10V ELV ¹² - ELV 120V TRI ¹² - TRIAC 120V ¹¹ PoE (Power-over-Ethernet) compatible. Consult factory for details. ¹² Available with 120V only. | REMOTE ^{13,14} RD1 - 1% 0-10V RELV ¹⁵ - ELV 120V RTRI ¹⁵ - TRIAC 120V ¹³ A remote driver box is provided, see page 5 for details. ¹⁴ The remote driver box must be installed in dry/damp environments with ambient temperatures of 0°C to 25°C (32°F to 77°F). ¹⁵ Available with 120V only. | RLDEI ¹⁶ - Lutron Hi-lume 1% Eco RDA ¹⁶ - DALI RELD1 - eldoLED 1% ECOdrive 0-10V RELDO - eldoLED 0.1% SOLOdrive 0-10V +EB ¹⁷ - Emergency battery ¹⁶ On-site commissioning is required. ¹⁷ For emergency battery, code will be like the following example: RD1+EB. | 1C - 1 circuit 2C ¹⁸ - 2 circuits ¹⁸ Available with Direct/Indirect only. |
| SOLA 25W - 25 W output, up to 1400 lm DUO 19W - 19 W output, up to 1100 lm | SOLA 12W - 12 W output, up to 483 lm DUO 11W - 11 W output, up to 305 lm NA - Not applicable | SOLA SD1 - Single 0-10V input SELV ¹² - ELV 120V STRI ¹² - TRIAC 120V | SOLA RSD1 - Single 0-10V input RSELV ¹⁵ - ELV 120V RSTRI ¹⁵ - TRIAC 120V | DUO RDMX ¹⁶ - DMX RDDA ¹⁶ - DALI DT6 RDDA8 ¹⁶ - DALI DT8 RDD1 - Dual 0-10V input for CCT/intensity RPSQO ¹⁶ - Lutron T-Series 1% tunable white | |

| CANOPY TYPE ¹⁹ | CANOPY FINISH ²⁰ | SUSPENSION ^{21,22} |
|--|---|---|
| FLR - Flat round canopy, 4" octagonal junction box DM - Direct mount ¹⁹ See page 4 for details. | FTMWE - Textured matte white exterior finish FTMBE - Textured matte black exterior finish ²⁰ Consult factory for custom exterior finishes. | BKES##IN - Textured black exterior finish stem WHES##IN - Textured white exterior finish stem ²¹ Stem Min 10" - max 72", specify length (##) in inches. ²² Consult factory for custom exterior finishes. |



AERA 4" SEAL CYLINDER



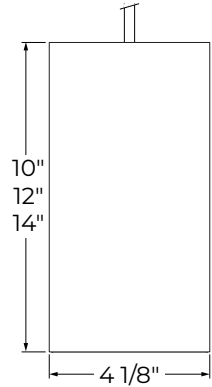
PENDANT

DIRECT/INDIRECT, DIRECT

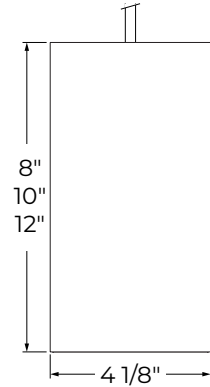
Dimensions

CYLINDER

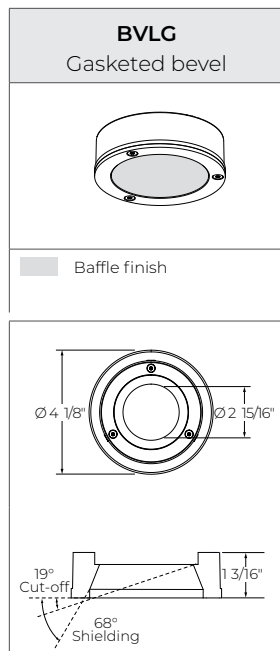
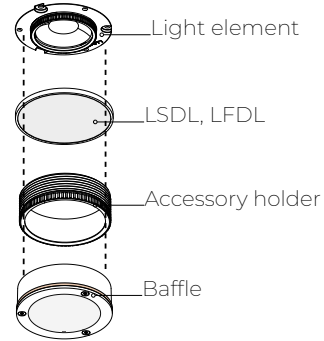
Direct/Indirect



Direct



Accessories



AERA 4" SEAL CYLINDER



PENDANT

DIRECT/INDIRECT, DIRECT

Mounting

CANOPY

| | INTEGRAL DRIVER | | REMOTE DRIVER | |
|-------------|--|---------------------------|--|---------------------------|
| Order code | FLR Flat round canopy, 4" octagonal junction box | DM Direct mount | FLR Flat round canopy, 4" octagonal junction box | DM Direct mount |
| Canopy type | | | | |
| Canopy size | Ø 5" Height 1/4" | Ø 4 1/8" Height 2" | Ø 5" Height 1/4" | Ø 4 1/8" Height 2" |
| Min. height | D/l - 10" D - 8" | | D/l - 10" D - 8" | |

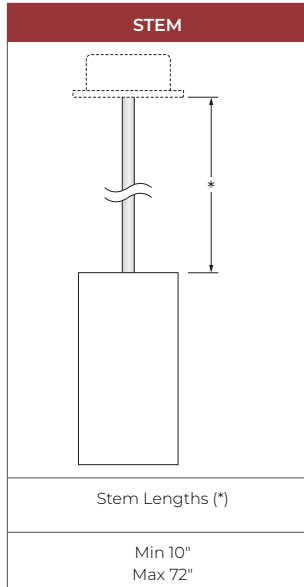
AERA 4" SEAL CYLINDER



PENDANT

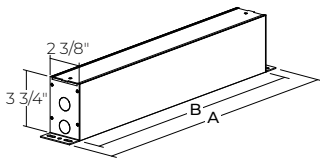
DIRECT/INDIRECT, DIRECT

SUSPENSION

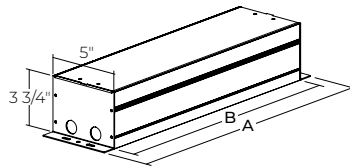


REMOTE DRIVER BOX

RDB8 / RDB18 / RDB24



RDB24W



| | RDB8 | RDB18 | RDB24 | RDB24W |
|---------------|--|--|---|--|
| A | 10" | 20" | 26" | 26" |
| B | 8" | 18" | 24" | 24" |
| DRIVER | RDI - 1% 0-10V RELV - ELV 120V RTRI - TRIAC 120V SOLA RSDI - Single 0-10V input RSELV - ELV 120V RSTRI - TRIAC 120V | RLDEI - Lutron Hi-Lume 1% Eco RDA - DALI RELDI - eldoLED 1% ECOdrive 0-10V RELD0 - eldoLED 0.1% SOLOdrive 0-10V | Emergency battery (+EB) with the following driver options. RDI+EB - 1% 0-10V RELV+EB - ELV 120V RTRI+EB - TRIAC 120V DUO RDMX - DMX RDDA - DALI DT6 RDDA8 - DALI DT8 RDD1 - Dual 0-10V input for CCT/intensity RPSQO - Lutron T-Series 1% tunable white | Emergency battery (+EB) with the following driver options. RLDEI+EB - Lutron Hi-Lume 1% Eco RDA+EB - DALI RELDI+EB - eldoLED 1% ECOdrive 0-10V RELD0+EB - eldoLED 0.1% SOLOdrive 0-10V |

AERA 4" SEAL CYLINDER

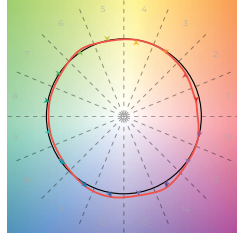


PENDANT

DIRECT/INDIRECT, DIRECT

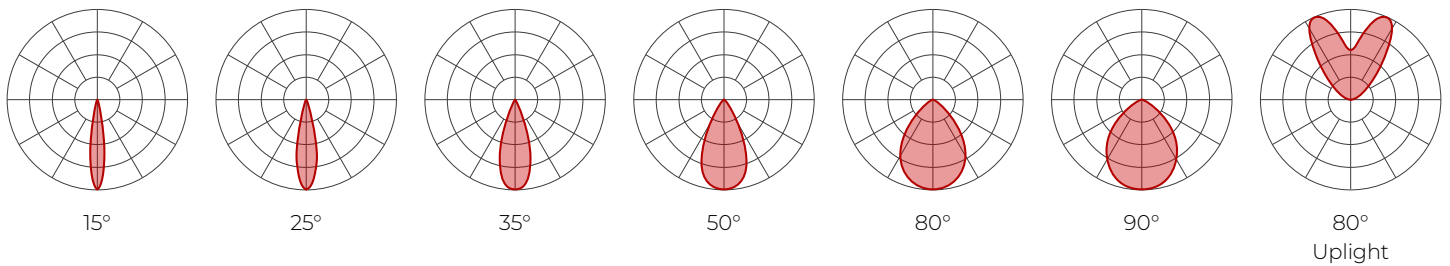
Color Quality

| COLOR QUALITY - 3500K | |
|-----------------------|------|
| TM-30 R _r | 90 |
| TM-30 R _g | 100 |
| CRI | 90 |
| R9 | > 50 |



Photometrics

Values calculated based on 3500K, gasketed bevel baffle, and SDL lens option.



Delivered lumens

| CRI | 90 CRI | | | | | | | 95 CRI | | | | | | | 80 CRI | | | | | | |
|------|--------|------|------|------|------|------|------|---------|------|------|------|------|------|-----|---------|------|------|------|------|------|------|
| | BEAM | 15° | 25° | 35° | 50° | 80° | 90° | Uplight | 15° | 25° | 35° | 50° | 80° | 90° | Uplight | 15° | 25° | 35° | 50° | 80° | 90° |
| 14 W | 1189 | 1221 | 1177 | 1153 | 1037 | 1037 | 772 | 915 | 940 | 906 | 887 | 799 | 799 | 594 | 1272 | 1308 | 1259 | 1234 | 1110 | 1110 | 827 |
| 20 W | 1659 | 1705 | 1641 | 1610 | 1449 | 1449 | 1086 | 1278 | 1313 | 1264 | 1239 | 1115 | 1115 | 836 | 1776 | 1824 | 1756 | 1722 | 1549 | 1549 | 1163 |
| 28 W | 2228 | 2290 | 2204 | 2160 | 1944 | 1944 | NA | 1716 | 1763 | 1697 | 1663 | 1497 | 1497 | NA | 2383 | 2450 | 2358 | 2311 | 2080 | 2080 | NA |

Efficacy

| CRI | 90 CRI | | | | | | | 95 CRI | | | | | | | 80 CRI | | | | | | |
|------|--------|-----|-----|-----|-----|-----|-----|---------|-----|-----|-----|-----|-----|-----|---------|-----|-----|-----|-----|-----|-----|
| | BEAM | 15° | 25° | 35° | 50° | 80° | 90° | Uplight | 15° | 25° | 35° | 50° | 80° | 90° | Uplight | 15° | 25° | 35° | 50° | 80° | 90° |
| 14 W | 85 | 87 | 84 | 82 | 74 | 74 | 55 | 65 | 67 | 64 | 64 | 57 | 57 | 43 | 91 | 93 | 90 | 88 | 79 | 79 | 59 |
| 20 W | 83 | 85 | 82 | 81 | 73 | 73 | 54 | 64 | 65 | 63 | 62 | 56 | 56 | 42 | 88 | 91 | 87 | 86 | 77 | 77 | 58 |
| 28 W | 80 | 82 | 79 | 77 | 70 | 70 | NA | 61 | 63 | 61 | 59 | 53 | 53 | NA | 85 | 87 | 84 | 82 | 74 | 74 | NA |

MULTIPLIERS

Please follow the multiplier tables to ensure correct lumen value. Beams, CCT, baffle colors and accessories will change the lumen value.

| CCT | BAFFLE COLOR | ACCESSORIES |
|-------|--------------|--|
| 2700K | 0.9 | Soft diffused lens, Solite 1 Frosted lens 0.8 |
| 3000K | 0.95 | |
| 3500K | 1 | |
| 4000K | 1.05 | |

DIRECT/INDIRECT - EFFICACY CALCULATION

For Direct/Indirect performance values, follow the formula.

$$\frac{\left(\begin{array}{c} \text{DIRECT} \\ \text{DELIVERED LM} \end{array} + \begin{array}{c} \text{INDIRECT} \\ \text{DELIVERED LM} \end{array} \right)}{\left(\begin{array}{c} \text{DIRECT} \\ \text{WATTAGE} \end{array} + \begin{array}{c} \text{INDIRECT} \\ \text{WATTAGE} \end{array} \right)} = \text{EFFICACY}$$

For SOLA and DUO, please consult factory.



AERA 4" SEAL CYLINDER



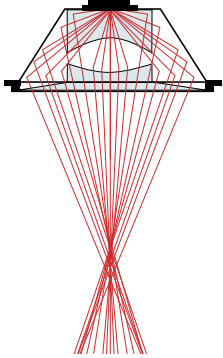
PENDANT

DIRECT/INDIRECT, DIRECT

Technical Specifications

OPTIC

XPoint™ Refraction Technology optics provide precise optical control in a remarkably compact form. Micro optical paths from the chip on board converge and then disperse in precise beam angles, resulting in a crisp and exacting light quality.



LIGHT SOURCE

Static white

Compact COB (Chip-On-Board) LED module, available in 2700K, 3000K, 3500K and 4000K with a choice of 80 CRI, 90 CRI, or 95 CRI, with elevated R9 value for 90 CRI and above. Color consistency is maintained to within 2 SDCM. All LEDs have been tested in accordance with IESNA LM-80-08 and the results have shown L80 lumen maintenance greater than 60,000 hours. Absolute product photometry is measured and presented in accordance with IESNA LM-79, unless otherwise indicated.

Chromawerx SOLA

Chromawerx SOLA is single-channel control that dims output while warming the color temperature in a pre-determined relationship. A simple analog control adjusts a specially populated LED array to emulate the effect of dimming a filament source.

Chromawerx DUO

Chromawerx DUO offers a two-channel control system which uses analog or digital protocols for synchronous control of both cool (6500K) to warm (2700K) LED arrays - maintaining a CRI above 90. The range of color DUO offers is useful for entraining circadian rhythms, stimulating alertness, and compensating for jet lag among other applications. The Chromawerx drivers are programmed to limit maximum light output and power usage across all color temperatures. When paired with DALI drivers (DDA/DDA8), color tuning follows a linear dimming curve.

ELECTRICAL

Unless otherwise specified, dimming down to 1%. At maximum driver load: efficiency>84%, PF>0.9, THD<20%.

Integral: 0-10V, ELV, TRIAC

Remote: 0-10V, ELV, TRIAC, Lutron Hi-Lume 1% EcoSystem, DALI, eldoLED 0.1% SOLOdrive 0-10V, eldoLED 1% ECOdrive 0-10V, DMX, Lutron T-series (tunable white)

Emergency battery option: Remotely-installed, long-life, high-temperature, maintenance-free, Bodine Lithium-Ion battery pack with self-test functionality, test switch and charge indicator. IOTA and Fulham options available upon request. Minimum of 90 minutes operation, and recharge time of 24 hours. For fixtures less than 10 W, the battery provides 6 W of emergency light output. For fixtures 10 W and over, the battery provides 10 W.

PoE

Depending on the PoE manufacturer selected, Lumenwerx will install the node in factory as either integral to the luminaire or as a remote module. Factory programming of the PoE node may or may not enable the following functionalities: lumen package, DUO (tunable white), QUADRO (RGBW), emergency battery backup, and sensor integration. These must be addressed and evaluated on a case-by-case basis.

CONSTRUCTION

Housing: Die-cast and extruded aluminum

Stem: Ø 1/2" rigid stem 10" to 72" standard length

Canopy: Flat and direct

Finish: Textured matte white and black. Custom colors also available (provide RAL #). Specular and semi-specular finishes are also available for Baffle.

Heat sink: Die-cast aluminum

Baffle: Die-cast aluminum

Baffle style: Gasketed bevel

WEIGHT

| Direct/Indirect | Direct |
|-----------------------|-----------------------|
| 10": 6.5 lbs - 2.9 kg | 8": 4.4 lbs - 2.0 kg |
| 12": 7.8 lbs - 3.5 kg | 10": 5.5 lbs - 2.5 kg |
| 14": 9.1 lbs - 4.1 kg | 12": 6.6 lbs - 3.0 kg |

ACCESSORIES



Soft diffused lens, Solite



Frosted diffused lens

AERA 4" SEAL CYLINDER



PENDANT

DIRECT/INDIRECT, DIRECT

ENVIRONMENT

For the standard temperature range (STR) option, ambient temperature at fixture location shall be within 0°C/32°F to 25°C/77°F.

For the extended temperature range (ETR) option, ambient temperature at fixture location shall be within -30°C/-22°F to 40°C/104°F.

CERTIFICATION

ETL: Suitable for wet locations. Conforms to UL Standard 1598 and certified to CAN/CSA Standard C22.2 No. 250.0.

WARRANTY

Lumenwerx provides a five-year limited warranty of electrical and mechanical performance of the luminaires, including the LED boards, drivers, and auxiliary electronics. Lumenwerx will repair or replace defective luminaires or components at our discretion, provided they have been installed and operated in accordance with our specifications. Other limitations apply, please refer to the full warranty on our website.