


# AERA 4 SEAL CYLINDER


## Surface

LUMENWERX

 This product must be installed in accordance with the National Electrical Code and all applicable local codes, by a person familiar with the construction and operation of the product, and the hazards involved. Proper grounding is required for safety.

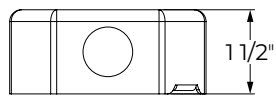
Ce produit doit être installé suivant le code national de l'électricité, ainsi que tous les codes locaux applicables, par une personne familière avec la construction et le fonctionnement du produit, ainsi que tous les risques qui y sont associés. La mise à terre électrique est obligatoire pour la sécurité.

 Wire dimming conductors as Class 1.

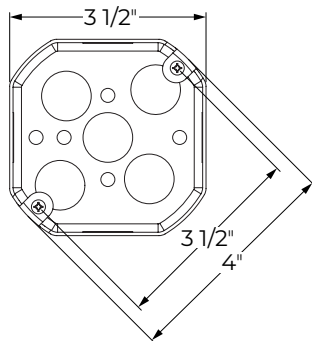
 For electrical connections, please refer to the [Wiring Diagram Guide](#).

## OVERVIEW

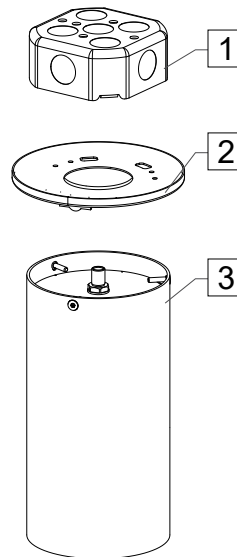
### Junction box (by others)



Standard 4"  
octagonal  
junction box



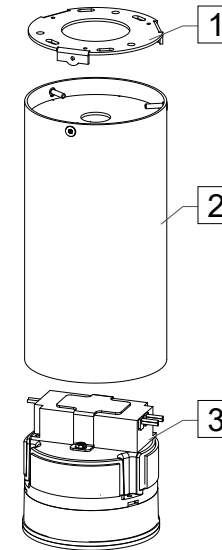
### Flat canopy



#### Items list

1	Junction box (by others)
2	Flat round canopy
3	Housing assembly

### Direct mount




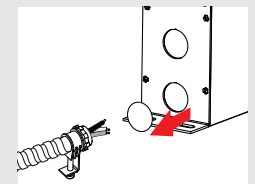
#### Items list

1	Ceiling bracket
2	Housing assembly
3	Light unit

#### Tools required

- Philips screwdriver
- Tamper resistant torx bit size T15
- Gypsum cutter or milling hand tool

 For remote driver box, please refer to the [remote driver installation sheet](#) for more information.



# AERA 4 SEAL CYLINDER

## Surface

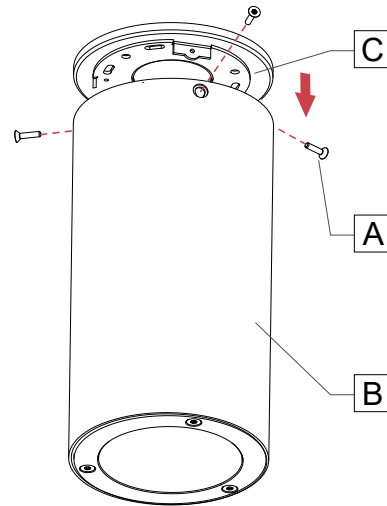
LUMENWERX

### FLAT CANOPY

#### 1 DETACH CANOPY ASSEMBLY.

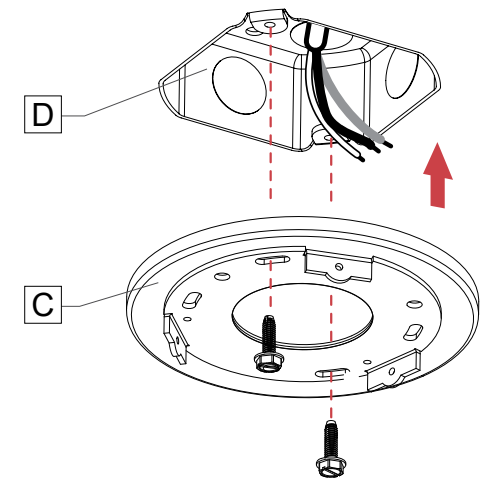
Remove the tamper-proof screws [A] from the housing assembly [B]. Detach the canopy assembly [C] from the housing assembly.

Keep the screws [A] in a safe place.



#### 2 INSTALL CANOPY ASSEMBLY.

Attach the canopy assembly [C] with screws (by others) to the j-box [D].

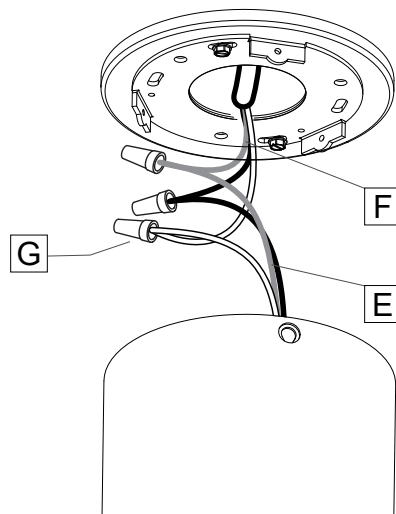


#### 3 MAKE ELECTRICAL CONNECTIONS.

Make electrical connections between the fixture cable [E] and the main power [F] using wire nuts [G] (by others).

**Warning:** A luminaire with more than one power supply connection means shall be connected to only one branch circuit.

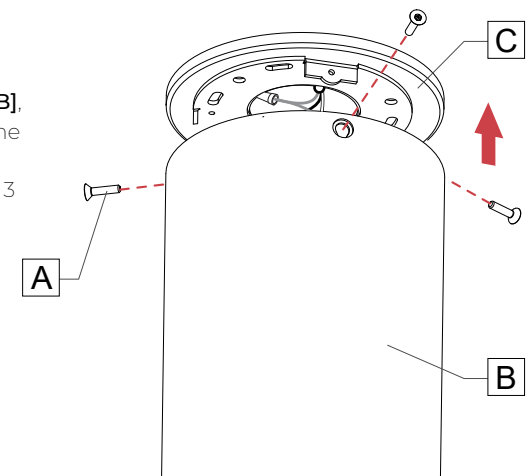
**Note:** Number of wires may vary.



#### 4 INSTALL HOUSING ASSEMBLY.

Push all wires and connectors inside the j-box.

Raise the housing assembly [B], align the 3 holes and attach the housing assembly [B] to the canopy assembly [C] with the 3 tamper-proof screws [A].



# AERA 4 SEAL CYLINDER

## Surface

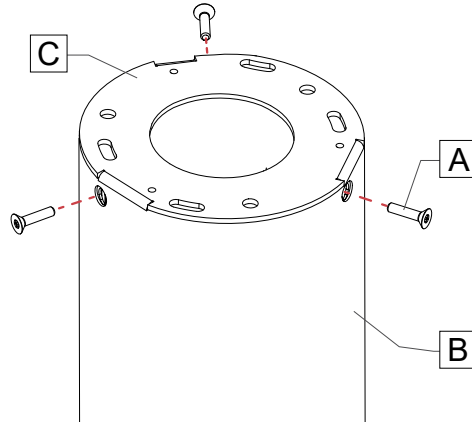
LUMENWERX

### DIRECT MOUNT

#### 1 DETACH CEILING BRACKET.

Remove the tamper-proof screws [A] from the housing assembly [B] and detach the ceiling bracket [C].

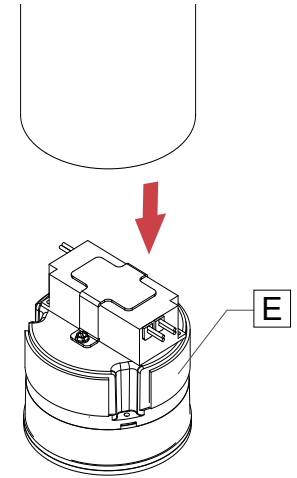
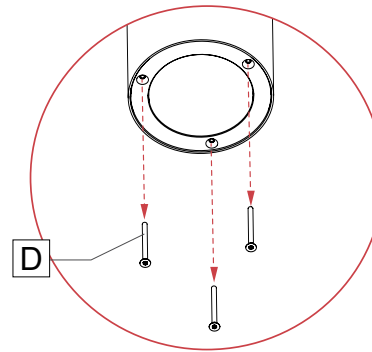
Keep the screws [A] in a safe place.



#### 2 REMOVE LIGHT UNIT.

Remove the tamper-proof screws [D] and keep them in a safe place.

Remove the light unit [E] from the housing.

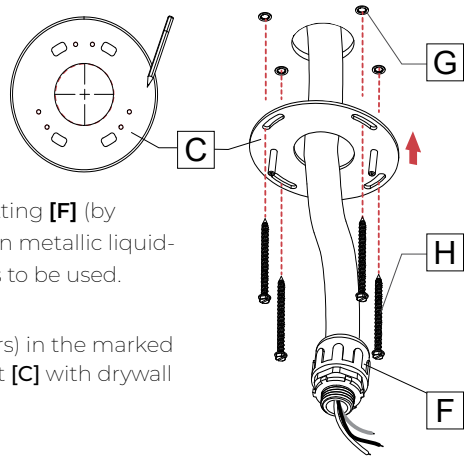


#### 3 INSTALL CEILING BRACKET.

Locate where the fixture will be installed. Use the ceiling bracket [C] as a model to mark 4 mounting points and a  $\varnothing 2"$  hole.

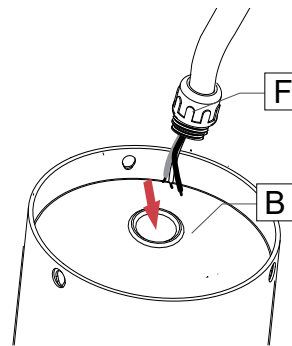
Pass the watertight conduit and fitting [F] (by others) through the  $\varnothing 2"$  hole. A non metallic liquid-tight flexible conduit system needs to be used.

Install drywall anchors [C] (by others) in the marked holes and install the ceiling bracket [C] with drywall screws [H] (by others).



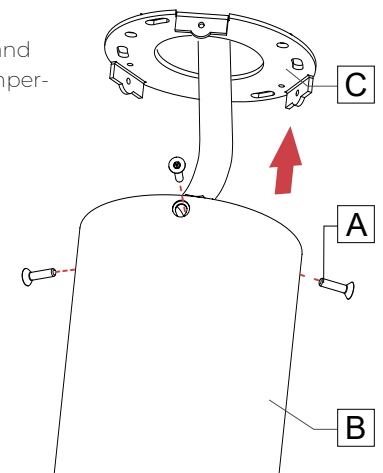
#### 4 INSTALL CONDUIT FITTING.

Connect the  $1/2"$  watertight conduit fitting [F] (by others) to the  $\varnothing 7/8"$  hole on housing assembly top plate [B]. Make sure the fitting is tightened.



#### 5 ATTACH FIXTURE TO CEILING BRACKET.

Attach the housing assembly [B] to the ceiling bracket [C] and secure with the tamper-proof screws [A].



# AERA 4 SEAL CYLINDER

## Surface

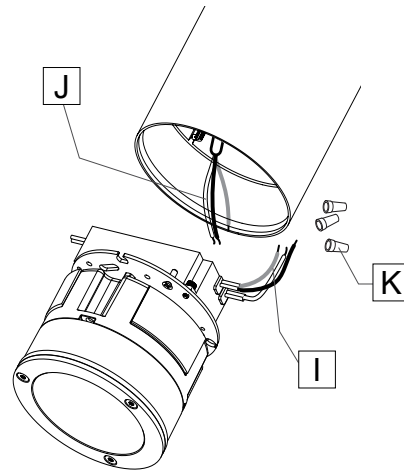
LUMENWERX

### 6 MAKE ELECTRICAL CONNECTIONS.

Make electrical connections between the fixture cable [I] and the main power [J] using wire nuts [K] (by others).

**Warning:** A luminaire with more than one power supply connection means shall be connected to only one branch circuit.

**Note:** Number of wires may vary.



### 7 REINSTALL LIGHT UNIT.

Reinstall light unit [E] by retightening the tamper-proof screws [D].

