

# AERA 4 SEAL CYLINDER

Wall

LUMENWERX



This product must be installed in accordance with the National Electrical Code and all applicable local codes, by a person familiar with the construction and operation of the product, and the hazards involved. Proper grounding is required for safety.

Ce produit doit être installé suivant le code national de l'électricité, ainsi que tous les codes locaux applicables, par une personne familière avec la construction et le fonctionnement du produit, ainsi que tous les risques qui y sont associés. La mise à terre électrique est obligatoire pour la sécurité.



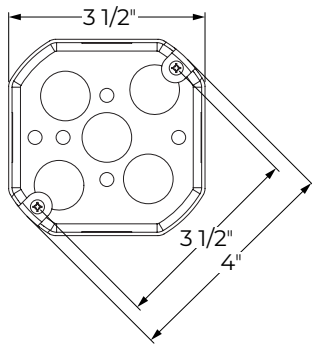
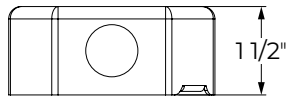
Wire dimming conductors as Class 1.



For electrical connections, please refer to the [Wiring Diagram Guide](#).

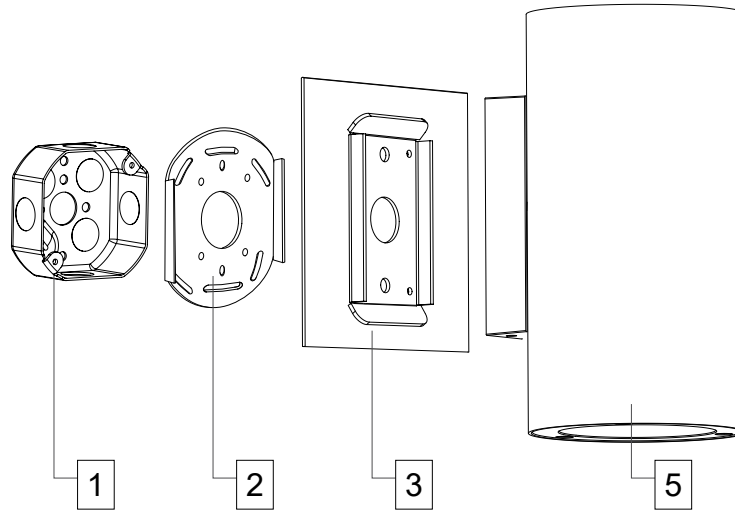
## OVERVIEW

### Junction box (by others)



Standard 4" octagonal junction box

### Flat canopy



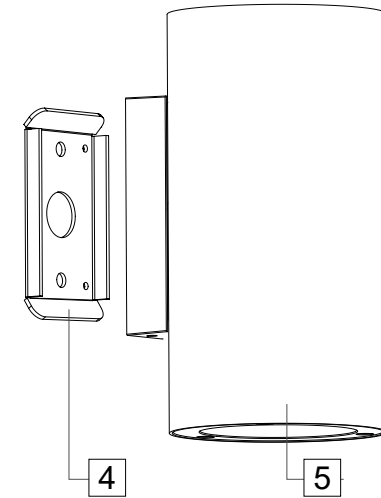
### Items list

1	Standard J-box (by others)
2	Mounting plate
3	Flat canopy assembly
4	Direct feed bracket
5	Housing assembly

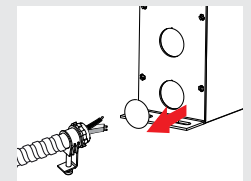
### Tools required

- Allen key 1/8
- Philips screwdriver
- Gypsum cutter or milling hand tool

### Direct mount



For remote driver box, please refer to the [remote driver installation sheet](#) for more information.



# AERA 4 SEAL CYLINDER

Wall

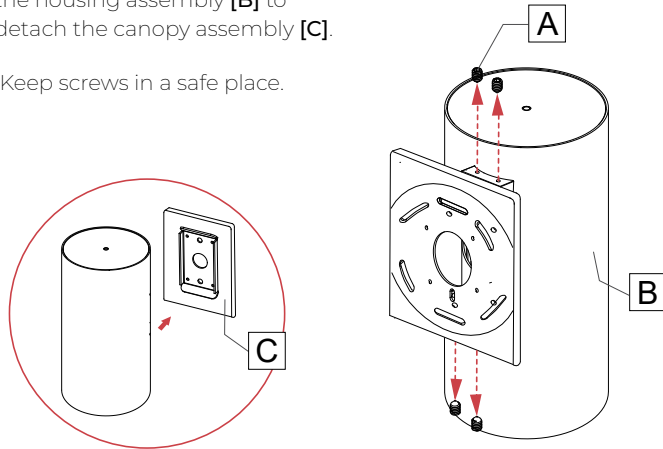
# LUMENWERX

## FLAT CANOPY

### 1 DETACH CANOPY ASSEMBLY.

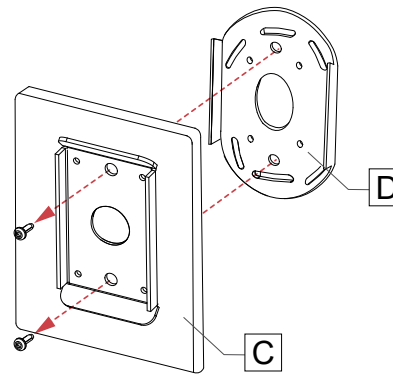
Unfasten the set screws [A] from the housing assembly [B] to detach the canopy assembly [C].

Keep screws in a safe place.



### 2 DETACH MOUNTING PLATE.

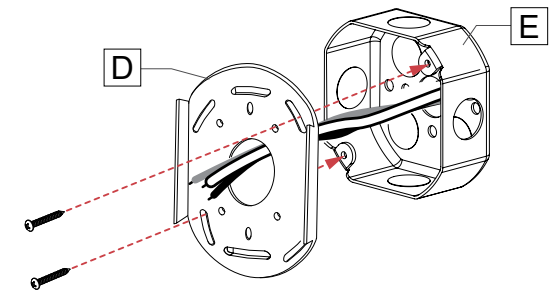
Detach the mounting plate [D] from the flat canopy assembly [C].



### 3 FIX MOUNTING PLATE.

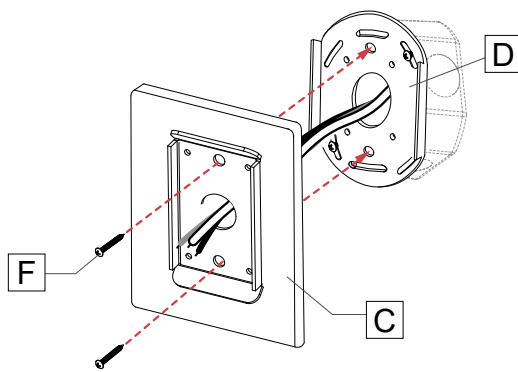
Attach the mounting plate [D] to the j-box [E] (screws by others).

**Note:** Make sure the side flanges of the mounting plate are vertical.



### 4 FIX CANOPY ASSEMBLY.

Fix the canopy assembly [C] onto the mounting plate [D] with screws [F].

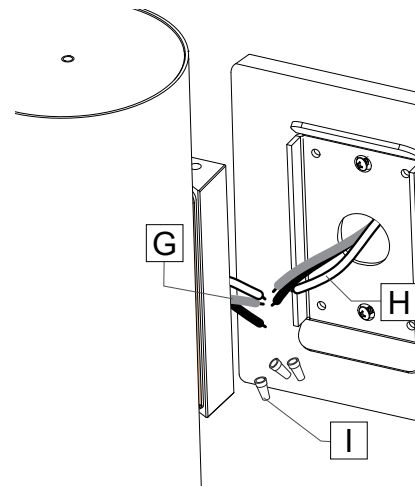


### 5 MAKE ELECTRICAL CONNECTIONS.

Make electrical connections between the fixture cable [G] and the main power [H] using wire nuts [I] (by others).

**Warning:** A luminaire with more than one power supply connection means shall be connected to only one branch circuit.

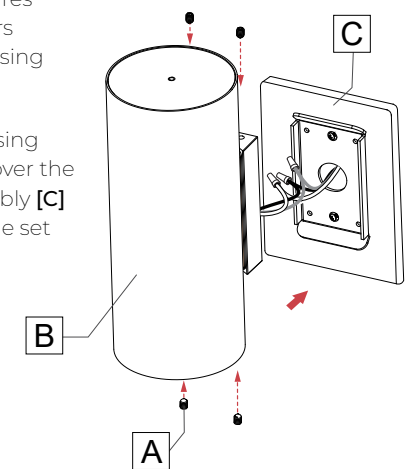
**Note:** Number of wires may vary.



### 6 INSTALL HOUSING ASSEMBLY.

Push all the wires and connectors inside the housing assembly [B].

Place the housing assembly [B] over the canopy assembly [C] and tighten the set screws [A].



# AERA 4 SEAL CYLINDER

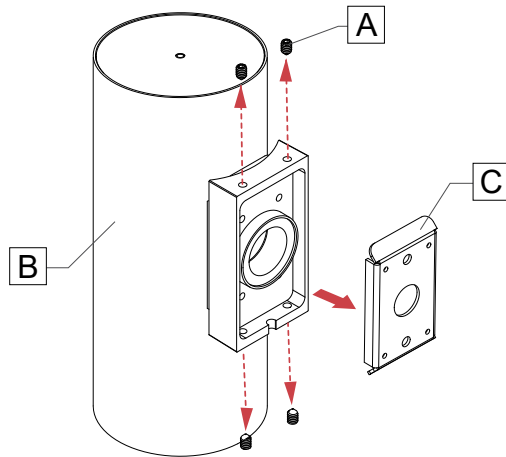
Wall

LUMENWERX

## DIRECT MOUNT

### 1 DETACH DIRECT FEED BRACKET.

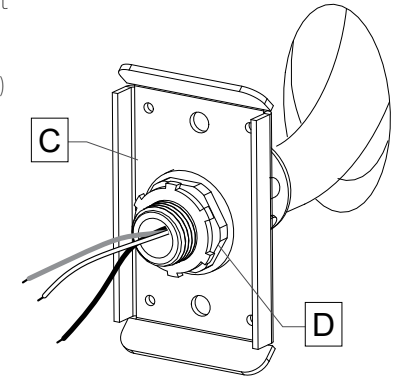
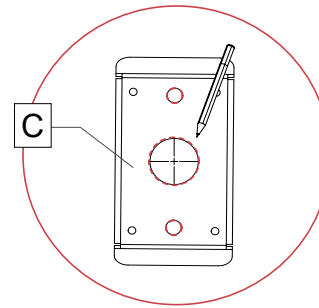
Unfasten the set screws [A] from the housing assembly [B] to detach direct feed bracket [C].



### 2 ATTACH CONDUIT FITTING.

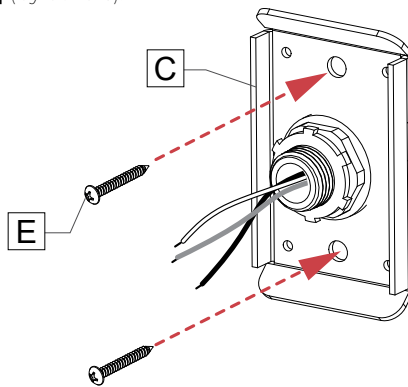
Locate where the fixture will be installed. Use the direct feed bracket [C] as a model to mark a  $\text{Ø}7/8''$  hole.

Attach the 1/2" watertight conduit fitting [D] (by others) to the direct feed bracket [C].



### 3 ATTACH BRACKET TO WALL.

Attach the direct feed bracket [C] to the wall with screws [E] (by others).

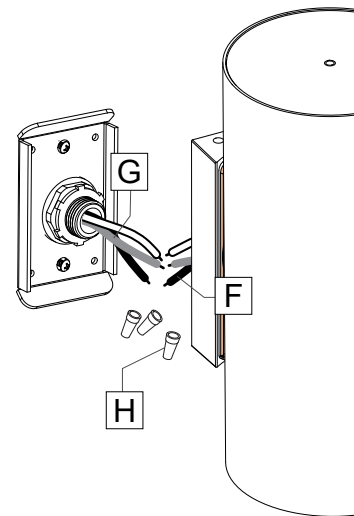


### 4 MAKE ELECTRICAL CONNECTIONS.

Make electrical connections between the fixture cable [F] and the main power [G] using wire nuts [H] (by others).

**Warning:** A luminaire with more than one power supply connection means shall be connected to only one branch circuit.

**Note:** Number of wires may vary.



### 5 INSTALL HOUSING ASSEMBLY.

Push all the wires and connectors inside the housing assembly [B].

Place the housing assembly [B] over the direct feed bracket [C] and tighten the set screws [A].

