




ARQ ACOUSTIX

Pendant - Conduit Feed Canopy

LUMENWERX

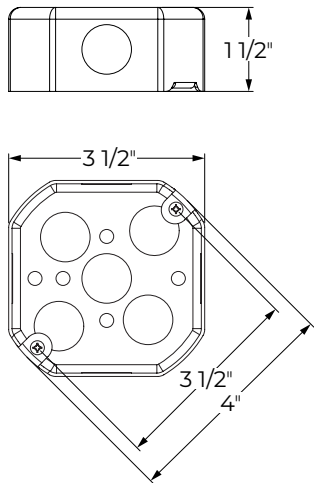
 This product must be installed in accordance with the National Electrical Code and all applicable local codes, by a person familiar with the construction and operation of the product, and the hazards involved. Proper grounding is required for safety.

Ce produit doit être installé suivant le code national de l'électricité, ainsi que tous les codes locaux applicables, par une personne familière avec la construction et le fonctionnement du produit, ainsi que tous les risques qui y sont associés. La mise à terre électrique est obligatoire pour la sécurité.

 Wire dimming conductors as Class 1.
 For electrical connections, follow the wiring diagrams on page 5 and 6 according to specified drivers in product configuration.

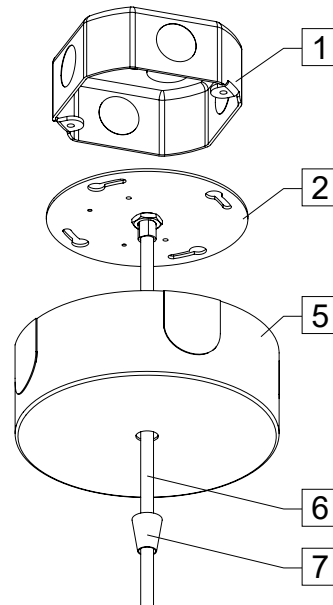
OVERVIEW


Junction box (by others)

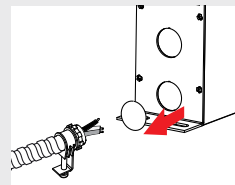


Standard 4" octagonal junction box

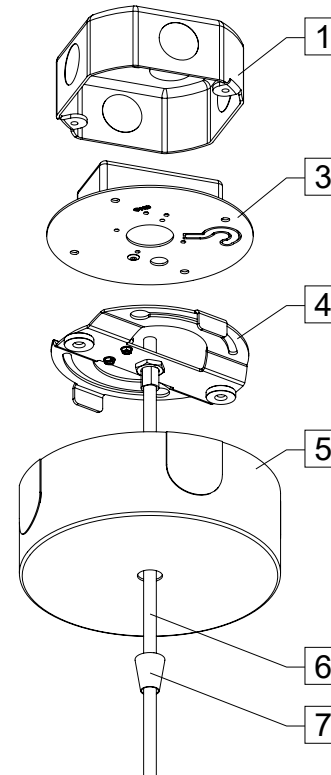
Remote driver



 For remote driver box, please refer to [the remote driver installation sheet](#) for more information.



Canopy driver



Items list

1	Standard J-box (by others)
2	Mounting plate
3	Fixed mounting plate
4	Adjustable mounting plate
5	Conduit feed canopy
6	Cable
7	Tapered nut

Tool required

- Philips screwdriver

ARQ ACOUSTIX

Pendant - Conduit Feed Canopy

LUMENWERX

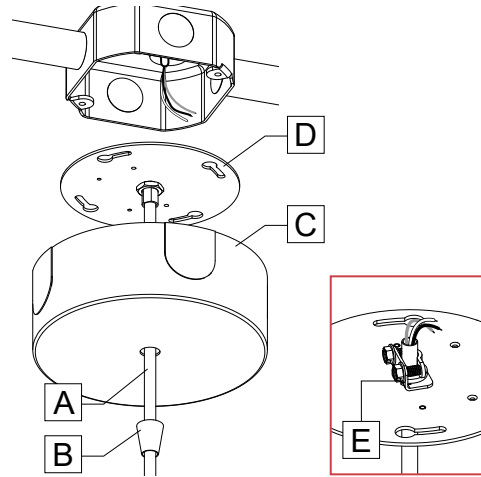
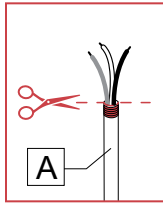
REMOTE DRIVER - POWER CORD

1 INSTALL POWER CORD.

Adjust the cable length by cutting and stripping the fixture cable [A] to the desired length for the height of the fixture.

Pass the cable [A] through the tapered nut [B], the canopy [C] and the mounting plate [D].

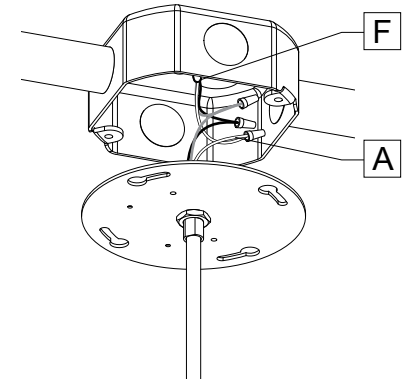
Tighten the cord grip [E].



2 MAKE ELECTRICAL CONNECTIONS.

Make electrical connections between the fixture cable [A] and the main power [F] using wire nuts (by others).

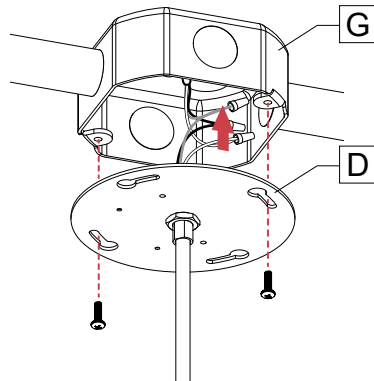
Warning: A luminaire with more than one power supply connection means shall be connected to only one branch circuit.



3 FIX MOUNTING PLATE.

Mount and turn the mounting plate [D] to place on the junction box [G].

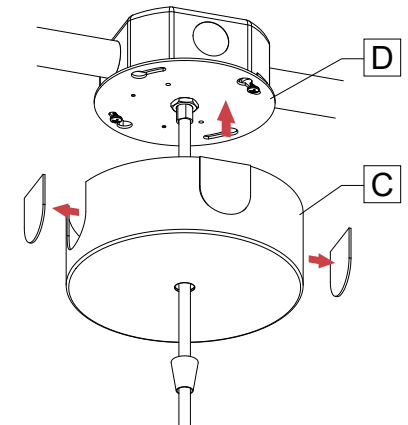
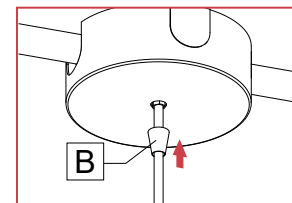
Tighten screws to secure the mounting plate [D] to the junction box.



4 MOUNT CANOPY.

Punch out the knock outs of the canopy [C] to allow the conduits to fit.

Place the canopy [C] over the mounting plate [D] and secure by tightening the tapered nut [B].



ARQ ACOUSTIX

Pendant - Conduit Feed Canopy

LUMENWERX

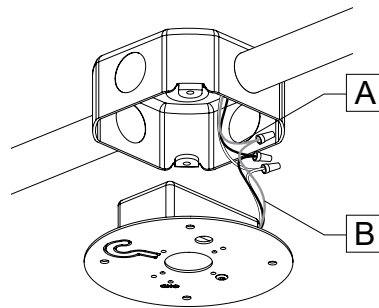
CANOPY DRIVER - POWER CORD

1 MAKE ELECTRICAL CONNECTIONS TO MAIN POWER.

Make the electrical connections between the main power cable [A] and the wires [B] from the driver box with the wire nuts (by others).

Note: Make sure the driver is oriented correctly to allow space for conduit adapters and wiring.

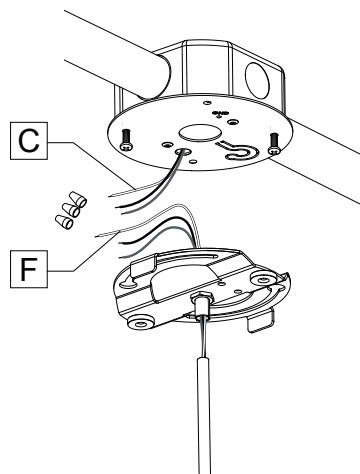
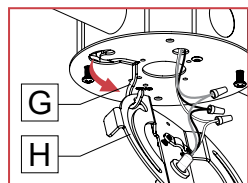
Warning: A luminaire with more than one power supply connection means shall be connected to only one branch circuit.



3 MAKE ELECTRICAL CONNECTIONS TO FIXTURE.

Make the electrical connections between the wires [C] from the driver box and the fixture cable [F] with the wire nuts (by others).

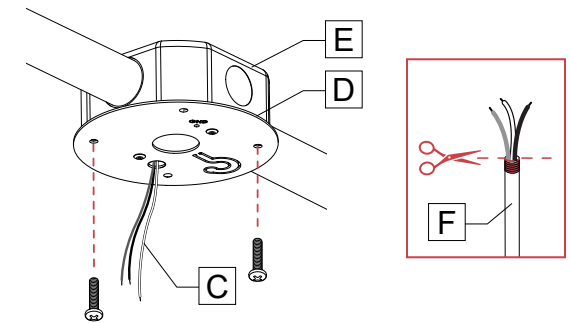
Note: If necessary, bend the hook [G] and hang the adjustable mounting plate [H] onto the hook to help make the electrical connections.



2 INSTALL FIXED MOUNTING PLATE TO JUNCTION BOX.

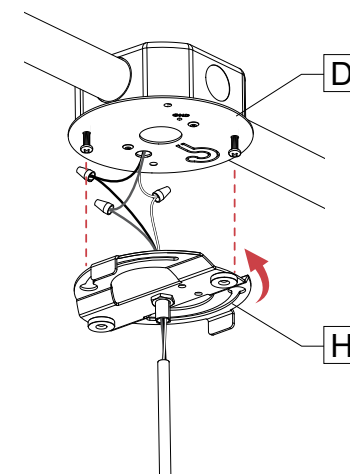
Pull the wires [C] from the driver box through the fixed mounting plate [D]. Fix the fixed mounting plate [D] to the J-box [E] with screws.

Adjust the cable length by cutting and stripping the fixture cable [F] to the desired length for the height of the fixture.



4 INSTALL ADJUSTABLE MOUNTING PLATE.

Fix the adjustable mounting plate [H] to the fixed mounting plate [D].



ARQ ACOUSTIX

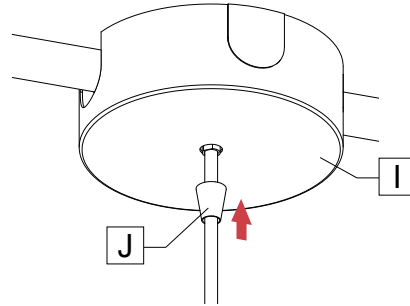
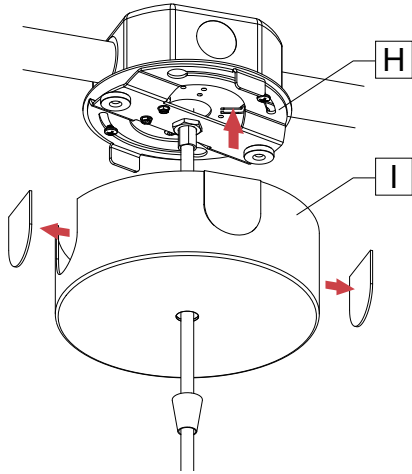
Pendant - Conduit Feed Canopy

LUMENWERX

5 INSTALL CONDUIT CANOPY.

Punch out the knock outs of the canopy [I] to allow the conduits to fit.

Place the canopy [I] over the adjustable mounting plate [H] and secure by tightening the tapered nut [J].



ARQ ACOUSTIX

Pendant - Conduit Feed Canopy

LUMENWERX

WIRING DIAGRAMS (1 Circuit)

For electrical connections, follow the wiring diagrams according to specified drivers in product configuration.

CANOPY DRIVER - STATIC WHITE, SOLA

D1 / SD1		ELV / TRI / SELV / STRI															
<table border="1" style="width: 100%; border-collapse: collapse;"> <tr><td>BLACK</td><td>HOT</td></tr> <tr><td>WHITE</td><td>NEUTRAL</td></tr> <tr><td>GREEN</td><td>GROUND</td></tr> <tr><td>PURPLE</td><td>DIM (+) 0-10V</td></tr> <tr><td>PINK or GRAY</td><td>DIM (-) 0-10V</td></tr> </table>	BLACK	HOT	WHITE	NEUTRAL	GREEN	GROUND	PURPLE	DIM (+) 0-10V	PINK or GRAY	DIM (-) 0-10V	<table border="1" style="width: 100%; border-collapse: collapse;"> <tr><td>BLACK</td><td>HOT</td></tr> <tr><td>WHITE</td><td>NEUTRAL</td></tr> <tr><td>GREEN</td><td>GROUND</td></tr> </table> <p>Note: 120V max input voltage</p>	BLACK	HOT	WHITE	NEUTRAL	GREEN	GROUND
BLACK	HOT																
WHITE	NEUTRAL																
GREEN	GROUND																
PURPLE	DIM (+) 0-10V																
PINK or GRAY	DIM (-) 0-10V																
BLACK	HOT																
WHITE	NEUTRAL																
GREEN	GROUND																

REMOTE DRIVER - STATIC WHITE, SOLA

RDA		RD1 / RELD1 / RELD0 / RSD1													
<table border="1" style="width: 100%; border-collapse: collapse;"> <tr><td>RED</td><td>LED (+)</td></tr> <tr><td>BLUE</td><td>LED (-)</td></tr> </table> <p>Note: For remote driver wiring in the remote driver box (RDB), refer to the applicable driver wiring.</p> <p>For max wire distance from driver, please check our website: WWW.LUMENWERX.COM</p>	RED	LED (+)	BLUE	LED (-)	<table border="1" style="width: 100%; border-collapse: collapse;"> <tr><td>BLACK</td><td>HOT</td></tr> <tr><td>WHITE</td><td>NEUTRAL</td></tr> <tr><td>GREEN</td><td>GROUND</td></tr> <tr><td>PURPLE</td><td>DIM (+) 0-10V</td></tr> <tr><td>PINK or GRAY</td><td>DIM (-) 0-10V</td></tr> </table>	BLACK	HOT	WHITE	NEUTRAL	GREEN	GROUND	PURPLE	DIM (+) 0-10V	PINK or GRAY	DIM (-) 0-10V
RED	LED (+)														
BLUE	LED (-)														
BLACK	HOT														
WHITE	NEUTRAL														
GREEN	GROUND														
PURPLE	DIM (+) 0-10V														
PINK or GRAY	DIM (-) 0-10V														

RLTEA2W / RELV / RTRI / RSELV / RSTRI		RLDE1															
<table border="1" style="width: 100%; border-collapse: collapse;"> <tr><td>BLACK</td><td>HOT</td></tr> <tr><td>WHITE</td><td>NEUTRAL</td></tr> <tr><td>GREEN</td><td>GROUND</td></tr> </table> <p>Note: 120V max input voltage</p>	BLACK	HOT	WHITE	NEUTRAL	GREEN	GROUND	<table border="1" style="width: 100%; border-collapse: collapse;"> <tr><td>BLACK</td><td>HOT</td></tr> <tr><td>WHITE</td><td>NEUTRAL</td></tr> <tr><td>GREEN</td><td>GROUND</td></tr> <tr><td>PURPLE</td><td>E1 TO ECOSYSTEM</td></tr> <tr><td>PINK or GRAY</td><td>E2 DIGITAL LINK</td></tr> </table>	BLACK	HOT	WHITE	NEUTRAL	GREEN	GROUND	PURPLE	E1 TO ECOSYSTEM	PINK or GRAY	E2 DIGITAL LINK
BLACK	HOT																
WHITE	NEUTRAL																
GREEN	GROUND																
BLACK	HOT																
WHITE	NEUTRAL																
GREEN	GROUND																
PURPLE	E1 TO ECOSYSTEM																
PINK or GRAY	E2 DIGITAL LINK																

Arq Globe Acoustix is not available with Sola/Duo.



ARQ ACOUSTIX

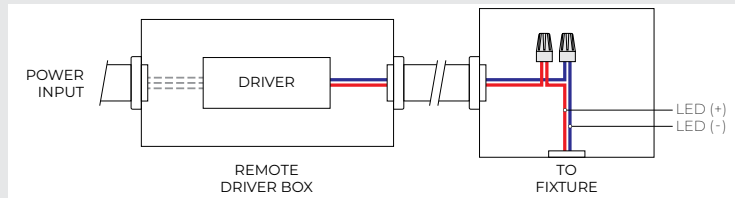
Pendant - Conduit Feed Canopy

REMOTE DRIVER - DUO

RED	LED (+)
BLUE	LED (-)

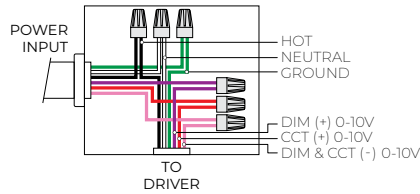
Note:
For remote driver wiring in the remote driver box (RDB), refer to the applicable driver wiring.

For max wire distance from driver, please check our website: WWW.LUMENWERX.COM



RDD1

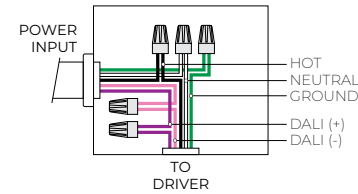
BLACK	HOT
WHITE	NEUTRAL
GREEN	GROUND
PURPLE	DIM (+) 0-10V
RED	CCT (+) 0-10V
PINK or GRAY	DIM & CCT (-) 0-10V



Note:
Common negative for dimming & CCT

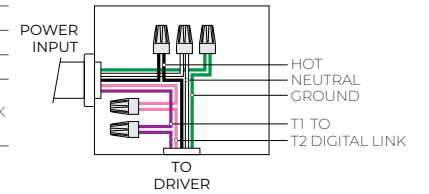
RDDA / RDDA8

BLACK	HOT
WHITE	NEUTRAL
GREEN	GROUND
PURPLE	DALI (+)
PINK or GRAY	DALI (-)



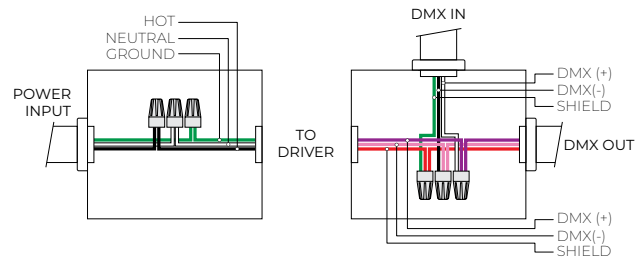
RPSQ0

BLACK	HOT
WHITE	NEUTRAL
GREEN	GROUND
PURPLE	T1 TO
PINK or GRAY	T2 DIGITAL LINK




RDMX

BLACK	HOT
WHITE	NEUTRAL
GREEN	GROUND
WHITE	DMX (+)
BLACK	DMX (-)
GREEN	SHIELD
PURPLE	DMX (+)
PINK or GRAY	DMX (-)
RED	SHIELD



Note:
- Must follow DMX wiring architecture
- Use low capacitance wiring for DMX network

 Arq Globe Acoustix is not available with Sola/Duo.