




# ARQ ACOUSTIX

## Pendant - Direct mount

LUMENWERX

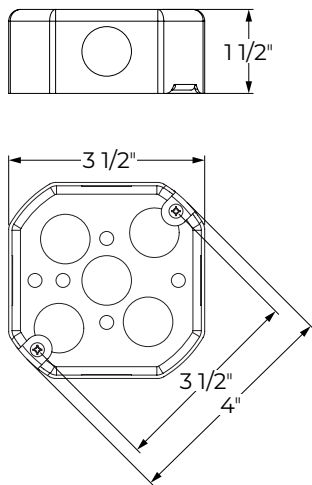
 This product must be installed in accordance with the National Electrical Code and all applicable local codes, by a person familiar with the construction and operation of the product, and the hazards involved. Proper grounding is required for safety.

Ce produit doit être installé suivant le code national de l'électricité, ainsi que tous les codes locaux applicables, par une personne familière avec la construction et le fonctionnement du produit, ainsi que tous les risques qui y sont associés. La mise à terre électrique est obligatoire pour la sécurité.

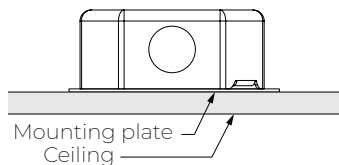
 Wire dimming conductors as Class 1.  
 For electrical connections, follow the wiring diagrams on page [5](#) and [6](#) according to specified drivers in product configuration.

### OVERVIEW

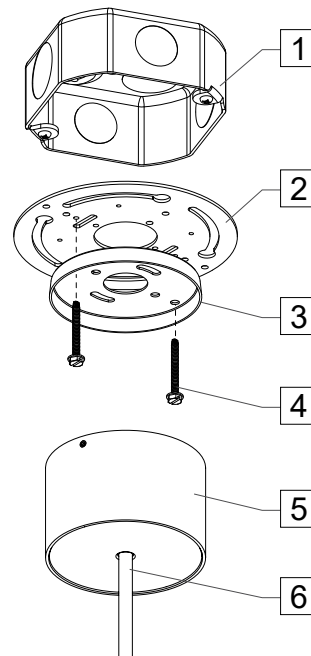
#### Junction box (by others)



Standard 4" octagonal junction box



#### Remote driver




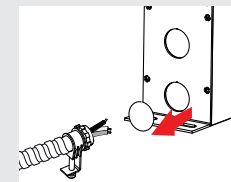
#### Items list

1	Standard J-box (by others)
2	Mounting plate
3	Adapter piece
4	6-32 screw
5	Housing assembly
6	Cable

#### Tools required

- Allen key 5/64
- Philips screwdriver
- Gypsum cutter or milling hand tool

 For remote driver box, please refer to [the remote driver installation sheet](#) for more information.



# ARQ ACOUSTIX

## Pendant - Direct mount

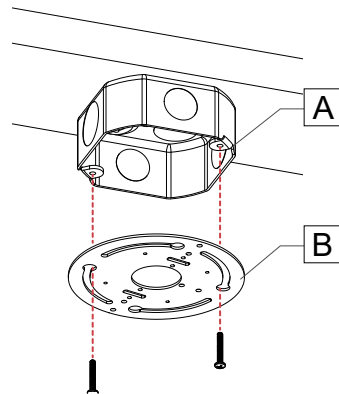
# LUMENWERX

### POWER CORD - JUNCTION BOX (Install option A - New construction)

#### 1 INSTALL JUNCTION BOX AND MOUNTING PLATE.

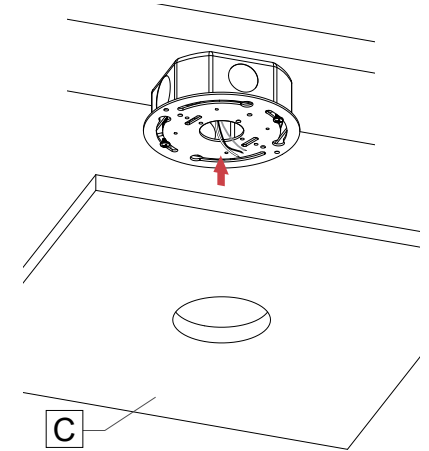
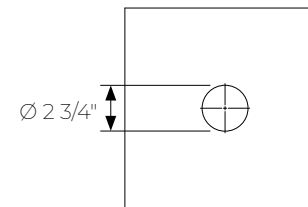
Install and reinforce junction box [A] (by others) to ceiling structure.

Mount and turn the mounting plate [B] to place on the junction box. Tighten screws to secure the mounting plate to the junction box.



#### 2 PREPARE DRYWALL CEILING.

Install the drywall [C]. Prepare the area where the fixture is going to be installed. Cut hole in the drywall.

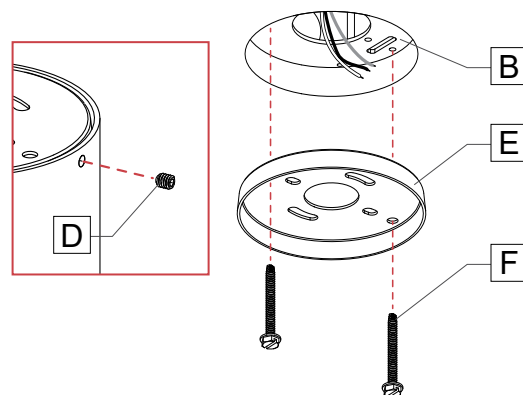


#### 3 INSTALL ADAPTER PIECE TO CEILING.

Unlock set screws [D] from the housing assembly, using the provided allen key.

Pass the main power cable through the adapter piece [E].

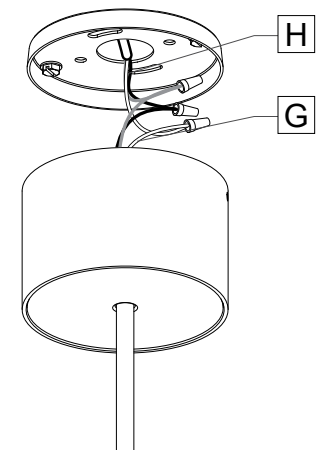
Attach the adapter piece [E] to the mounting plate [B] with 2x 6-32 screws [F] provided.



#### 4 MAKE ELECTRICAL CONNECTIONS.

Make electrical connections between the fixture cable [G] and the main power [H] using wire nuts (by others).

**Warning:** A luminaire with more than one power supply connection means shall be connected to only one branch circuit.



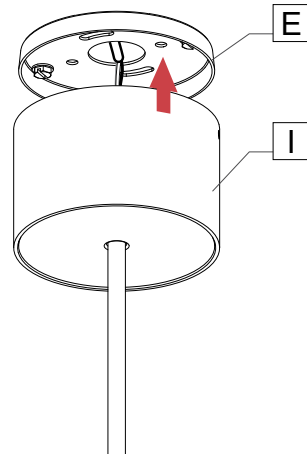
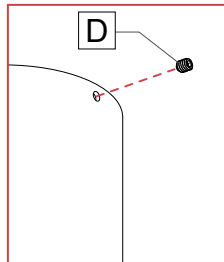
# ARQ ACOUSTIX

Pendant - Direct mount

LUMENWERX

## 5 INSTALL HOUSING ASSEMBLY.

Put the housing assembly [I] back to the adapter piece [E] and lock 2x 8-32 set screws [D].



# ARQ ACOUSTIX

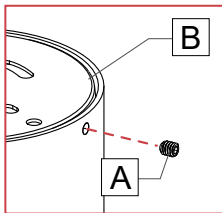
## Pendant - Direct mount

# LUMENWERX

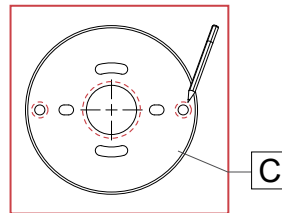
### POWER CORD - DIRECT FEED (Install option B - Remodel)

#### 1 INSTALL ADAPTER PIECE TO CEILING.

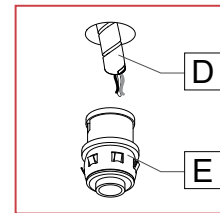
Remove set screws [A] from the housing assembly [B].



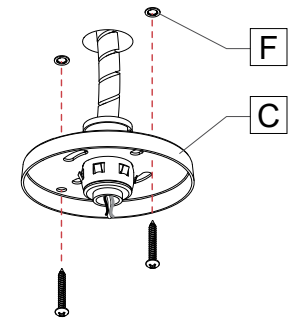
Locate where the fixture will be installed. Use the adapter piece [C] as a model to mark 2 mounting points and a 7/8" dia hole.



Pierce a 7/8" dia hole and bring the power cable [D] through the hole and connect the power cable to the adapter [E] (by others).



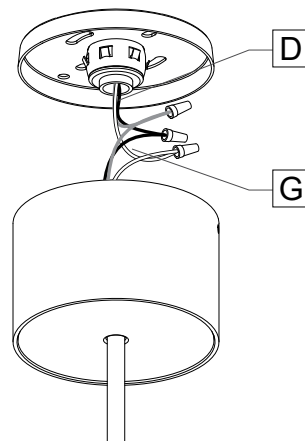
Install screw anchors [F] (by others) where the hole was made and install the adapter piece [C] with screws (by others).



#### 2 MAKE ELECTRICAL CONNECTIONS.

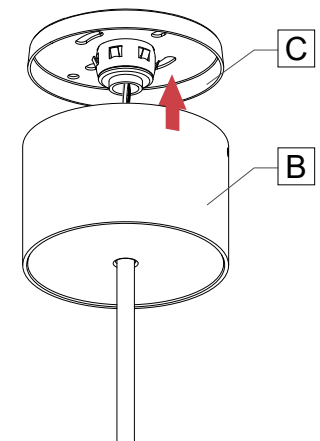
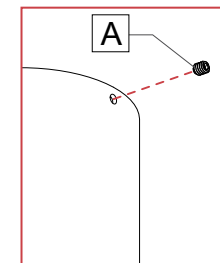
Make electrical connections between the fixture cable [G] and the main power [D] using wire nuts (by others).

**Warning:** A luminaire with more than one power supply connection means shall be connected to only one branch circuit.



#### 3 INSTALL HOUSING ASSEMBLY.

Place the housing assembly [B] back to the adapter piece [C] and secure with the provided set screws [A].



# ARQ ACOUSTIX

## Pendant - Direct mount

# LUMENWERX

### WIRING DIAGRAMS (1 Circuit)

For electrical connections, follow the wiring diagrams according to specified drivers in product configuration.

#### CANOPY DRIVER - STATIC WHITE, SOLA

D1 / SD1		ELV / TRI / SELV / STRI	
BLACK	HOT	BLACK	HOT
WHITE	NEUTRAL	WHITE	NEUTRAL
GREEN	GROUND	GREEN	GROUND
PURPLE	DIM (+) 0-10V		
PINK or GRAY	DIM (-) 0-10V		

TO  
FIXTURE

Note:  
120V max input voltage

TO  
FIXTURE

#### REMOTE DRIVER - STATIC WHITE, SOLA

RDA		RD1 / RELD1 / RELD0 / RSD1	
RED	LED (+)	BLACK	HOT
BLUE	LED (-)	WHITE	NEUTRAL
		GREEN	GROUND
		PURPLE	DIM (+) 0-10V
		PINK or GRAY	DIM (-) 0-10V

Note:  
For remote driver wiring in the remote driver box (RDB), refer to the applicable driver wiring.  
  
For max wire distance from driver, please check our website: [WWW.LUMENWERX.COM](http://WWW.LUMENWERX.COM)

REMOTE  
DRIVER BOX

TO  
FIXTURE

TO  
DRIVER

RLTEA2W / RELV / RTRI / RSELV / RSTRI		RLDE1	
BLACK	HOT	BLACK	HOT
WHITE	NEUTRAL	WHITE	NEUTRAL
GREEN	GROUND	GREEN	GROUND
PURPLE	DALI (+)	PURPLE	E1 TO ECOSYSTEM
PINK or GRAY	DALI (-)	PINK or GRAY	E2 DIGITAL LINK

TO  
DRIVER

Note:  
120V max input voltage

TO  
DRIVER

TO  
DRIVER

Arq Globe Acoustix is not available with Sola/Duo.



# ARQ ACOUSTIX

## Pendant - Direct mount

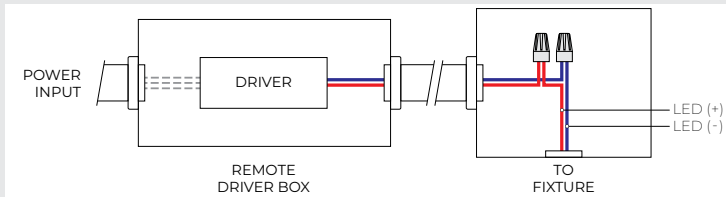
LUMENWERX

### REMOTE DRIVER - DUO

RED	LED (+)
BLUE	LED (-)

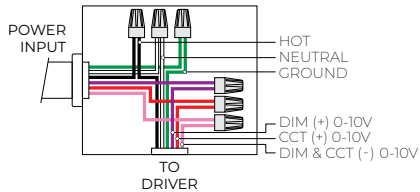
**Note:**  
For remote driver wiring in the remote driver box (RDB), refer to the applicable driver wiring.

For max wire distance from driver, please check our website: [WWW.LUMENWERX.COM](http://WWW.LUMENWERX.COM)



### RDD1

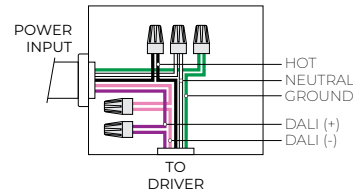
BLACK	HOT
WHITE	NEUTRAL
GREEN	GROUND
PURPLE	DIM (+) 0-10V
RED	CCT (+) 0-10V
PINK or GRAY	DIM & CCT (-) 0-10V



**Note:**  
Common negative for dimming & CCT

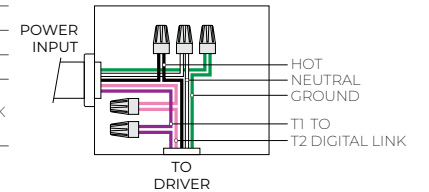
### RDDA / RDDA8

BLACK	HOT
WHITE	NEUTRAL
GREEN	GROUND
PURPLE	DALI (+)
PINK or GRAY	DALI (-)



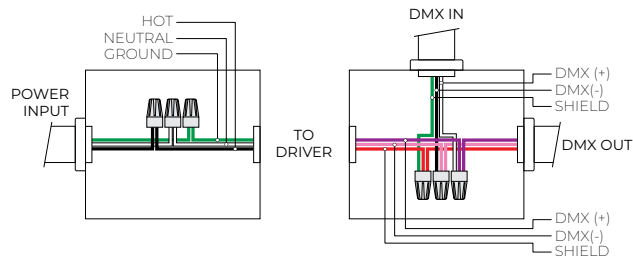
### RPSQ0

BLACK	HOT
WHITE	NEUTRAL
GREEN	GROUND
PURPLE	T1 TO
PINK or GRAY	T2 DIGITAL LINK



### RDMX

BLACK	HOT
WHITE	NEUTRAL
GREEN	GROUND
WHITE	DMX (+)
BLACK	DMX (-)
GREEN	SHIELD
PURPLE	DMX (+)
PINK or GRAY	DMX (-)
RED	SHIELD



**Note:**  
- Must follow DMX wiring architecture  
- Use low capacitance wiring for DMX network



Arq Globe Acoustix is not available with Sola/Duo.

