




# ARQ ACOUSTIX

## Pendant - Flat Canopy

# LUMENWERX

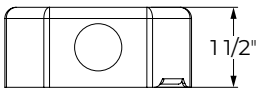
 This product must be installed in accordance with the National Electrical Code and all applicable local codes, by a person familiar with the construction and operation of the product, and the hazards involved. Proper grounding is required for safety.

Ce produit doit être installé suivant le code national de l'électricité, ainsi que tous les codes locaux applicables, par une personne familière avec la construction et le fonctionnement du produit, ainsi que tous les risques qui y sont associés. La mise à terre électrique est obligatoire pour la sécurité.

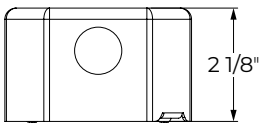
 Wire dimming conductors as Class 1.  
 For electrical connections, follow the wiring diagrams on page 4 and 5 according to specified drivers in product configuration.

### OVERVIEW

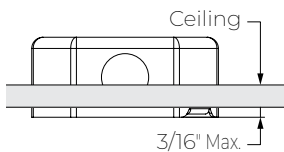
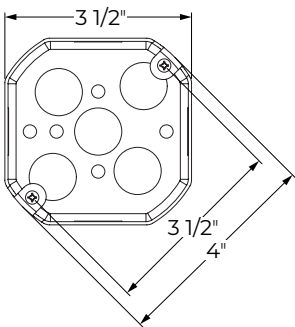
#### Junction box (by others)



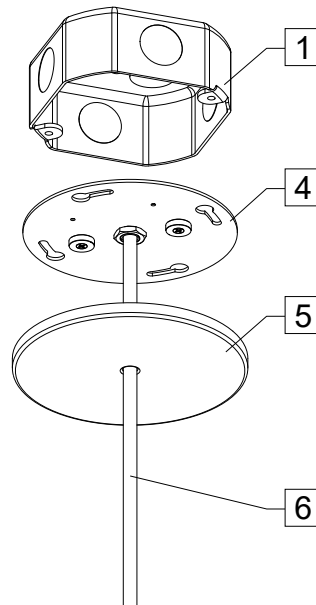
Standard 4" octagonal junction box



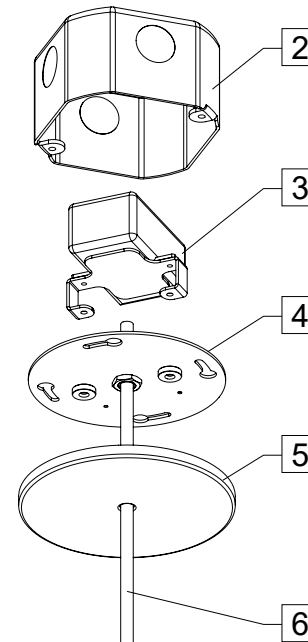
Deep 4" octagonal junction box



#### Remote driver



#### Canopy driver




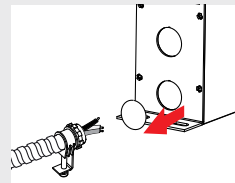
#### Items list

1	Standard J-box (by others)
2	Deep J-box (by others)
3	Driver bracket
4	Mounting plate
5	Flat canopy
6	Cable

#### Tool required

- Philips screwdriver

 For remote driver box, please refer to [the remote driver installation sheet](#) for more information.



# ARQ ACOUSTIX

## Pendant - Flat Canopy

# LUMENWERX

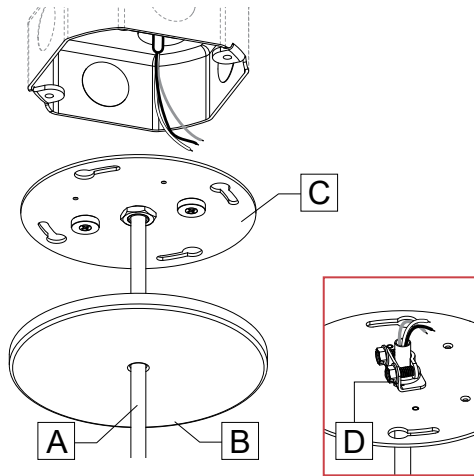
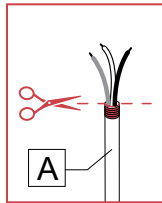
### REMOTE DRIVER - POWER CORD

#### 1 INSTALL POWER CORD.

Adjust the cable length by cutting and stripping the fixture cable [A] to the desired length for the height of the fixture.

Pass the cable [A] through the canopy [B] and the mounting plate [C].

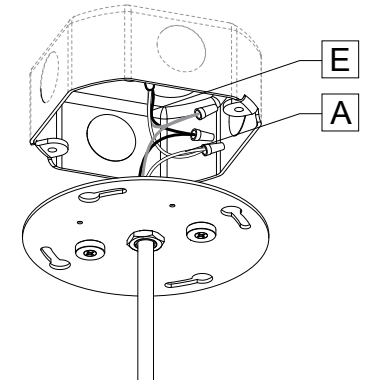
Tighten the cord grip [D].



#### 2 MAKE ELECTRICAL CONNECTIONS.

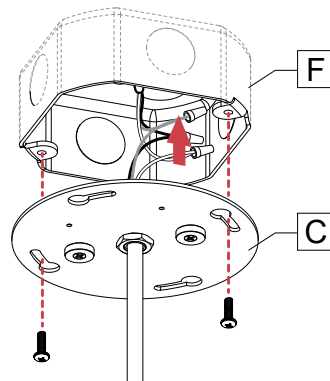
Make electrical connections between the fixture cable [A] and the main power [E] using wire nuts (by others).

**Warning:** A luminaire with more than one power supply connection means shall be connected to only one branch circuit.



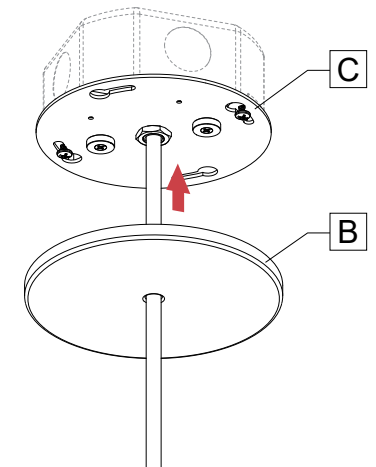
#### 3 FIX MOUNTING PLATE.

Mount and turn the mounting plate [C] to place on the junction box [F]. Tighten screws to secure the mounting plate [C] to the junction box.



#### 4 MOUNT CANOPY.

Cover the mounting plate [C] with the canopy [B] under the provided magnets.



# ARQ ACOUSTIX

## Pendant - Flat Canopy

# LUMENWERX

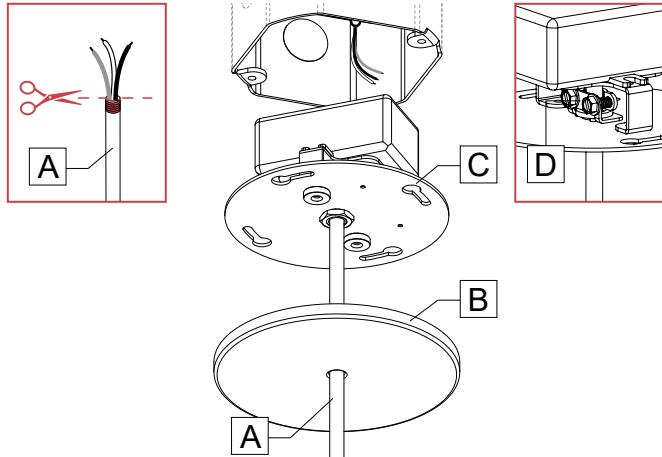
### CANOPY DRIVER - POWER CORD

#### 1 INSTALL POWER CORD.

Adjust the cable length by cutting and stripping the fixture cable [A] to the desired length for the height of the fixture.

Pass the cable [A] through the canopy [B] and the mounting plate [C].

Tighten the cord grip [D].

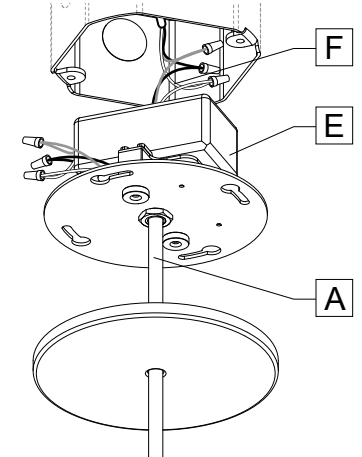


#### 2 MAKE ELECTRICAL CONNECTIONS.

Make electrical connections between the fixture cable [A] and the driver [E] using wire nuts (by others).

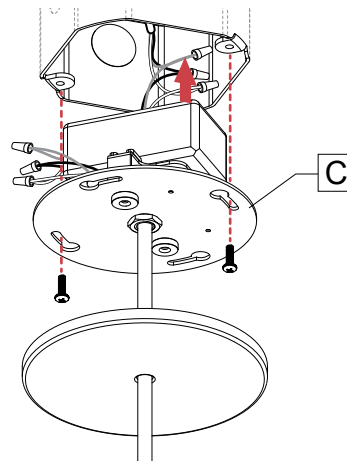
Then make electrical connections between the driver [E] and the main power [F] using wire nuts (by others).

**Warning:** A luminaire with more than one power supply connection means shall be connected to only one branch circuit.



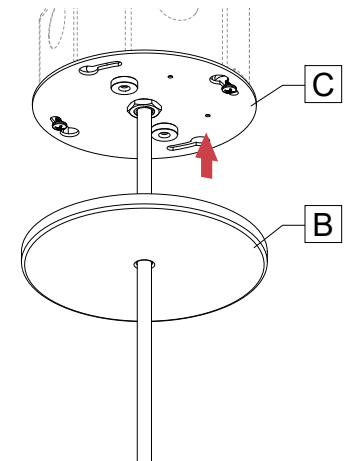
#### 3 FIX MOUNTING PLATE.

Mount and turn the mounting plate [C] to place on the junction box. Tighten screws to secure the mounting plate [C] to the junction box.



#### 4 MOUNT CANOPY.

Cover the mounting plate [C] with the canopy [B] under the provided magnets.



# ARQ ACOUSTIX

## Pendant - Flat Canopy

# LUMENWERX

### WIRING DIAGRAMS (1 Circuit)

For electrical connections, follow the wiring diagrams according to specified drivers in product configuration.

#### CANOPY DRIVER - STATIC WHITE, SOLA

D1 / SD1		ELV / TRI / SELV / STRI	
BLACK	HOT	BLACK	HOT
WHITE	NEUTRAL	WHITE	NEUTRAL
GREEN	GROUND	GREEN	GROUND
PURPLE	DIM (+) 0-10V	Note: 120V max input voltage	
PINK or GRAY	DIM (-) 0-10V		

TO FIXTURE

TO FIXTURE

#### REMOTE DRIVER - STATIC WHITE, SOLA

RDA		RLTEA2W / RELV / RTRI / RSELV / RSTRI		RD1 / RELD1 / RELD0 / RSD1	
RED	LED (+)	BLACK	HOT	BLACK	HOT
BLUE	LED (-)	WHITE	NEUTRAL	WHITE	NEUTRAL
<b>Note:</b> For remote driver wiring in the remote driver box (RDB), refer to the applicable driver wiring.  For max wire distance from driver, please check our website: <a href="http://WWW.LUMENWERX.COM">WWW.LUMENWERX.COM</a>		GREEN	GROUND	GREEN	GROUND
		PURPLE	DALI (+)	PURPLE	DIM (+) 0-10V
PINK or GRAY	DALI (-)	GREEN	GROUND	PINK or GRAY	DIM (-) 0-10V

REMOTE DRIVER BOX

TO DRIVER

TO DRIVER

RDA		RLTEA2W / RELV / RTRI / RSELV / RSTRI		RLDE1	
BLACK	HOT	BLACK	HOT	BLACK	HOT
WHITE	NEUTRAL	WHITE	NEUTRAL	WHITE	NEUTRAL
GREEN	GROUND	GREEN	GROUND	GREEN	GROUND
PURPLE	DALI (+)	Note: 120V max input voltage		PURPLE	E1 TO ECOSYSTEM
PINK or GRAY	DALI (-)			PINK or GRAY	E2 DIGITAL LINK

TO DRIVER

TO DRIVER

TO DRIVER

Arq Globe Acoustix is not available with Sola/Duo.



# ARQ ACOUSTIX

## Pendant - Flat Canopy

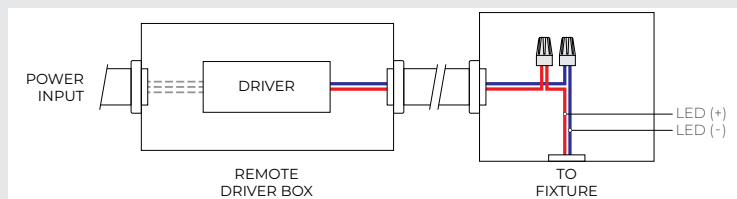
# LUMENWERX

### REMOTE DRIVER - DUO

RED	LED (+)
BLUE	LED (-)

**Note:**  
For remote driver wiring in the remote driver box (RDB), refer to the applicable driver wiring.

For max wire distance from driver, please check our website: [WWW.LUMENWERX.COM](http://WWW.LUMENWERX.COM)



#### RDD1

BLACK	HOT
WHITE	NEUTRAL
GREEN	GROUND
PURPLE	DIM (+) 0-10V
RED	CCT (+) 0-10V
PINK or GRAY	DIM & CCT (-) 0-10V

**Note:**  
Common negative for dimming & CCT

#### RDDA / RDDA8

BLACK	HOT
WHITE	NEUTRAL
GREEN	GROUND
PURPLE	DALI (+)
PINK or GRAY	DALI (-)

#### RPSQ0

BLACK	HOT
WHITE	NEUTRAL
GREEN	GROUND
PURPLE	T1 TO T2 DIGITAL LINK
PINK or GRAY	T1 TO T2 DIGITAL LINK

#### RDMX

BLACK	HOT
WHITE	NEUTRAL
GREEN	GROUND
WHITE	DMX (+)
BLACK	DMX (-)
GREEN	SHIELD
PURPLE	DMX (+)
PINK or GRAY	DMX (-)
RED	SHIELD

**Note:**  
- Must follow DMX wiring architecture  
- Use low capacitance wiring for DMX network

⚠ Arq Globe Acoustix is not available with Sola/Duo.

