




Arro 2 - Pendant Direct - Canopy Driver Box with Aircraft Cable

 This product must be installed in accordance with the National Electrical Code and all applicable local codes, by a person familiar with the construction and operation of the product, and the hazards involved. Proper grounding is required for safety.

Ce produit doit être installé suivant le code national de l'électricité, ainsi que tous les codes locaux applicables, par une personne familière avec la construction et le fonctionnement du produit, ainsi que tous les risques qui y sont associés. La mise à terre électrique est obligatoire pour la sécurité.

 Wire dimming conductors as Class 1.

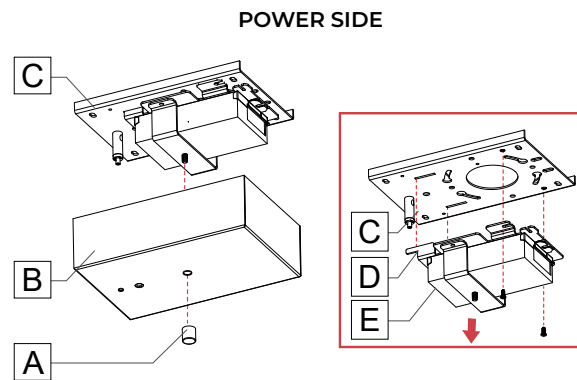
 Follow instructions accordingly.

SINGLE FIXTURE

1 DISASSEMBLE MOUNTING KIT.

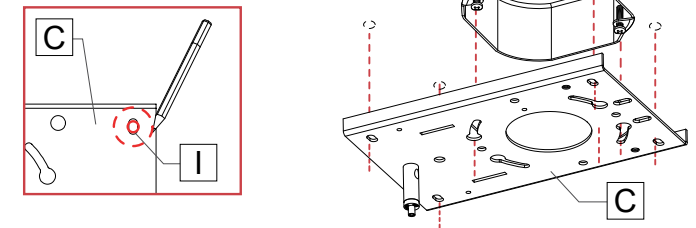
POWER SIDE

Loosen the cap nut [A] on the canopy [B]. Separate the canopy [B] from the canopy plate [C]. Unscrew, and pivot the driver plate [D] from the canopy plate [C], to remove the canopy driver [E] from the canopy plate [C].



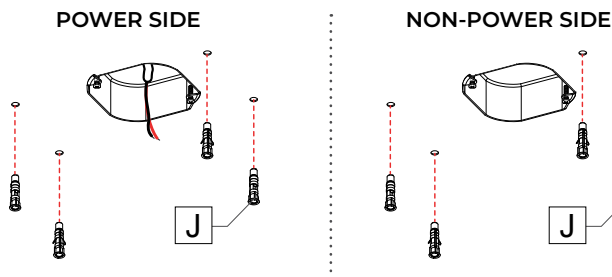
2 MOUNT CANOPY PLATE.

Mount the power side canopy plate [C] to place on the junction box [H]. Use the canopy plate [C] as reference to mark the holes [I] for mounting.



3 INSTALL SCREW ANCHORS.

Drill holes (1/4" diameter) following the marks drawn from previous step 2. Install #8 screws anchors [J].



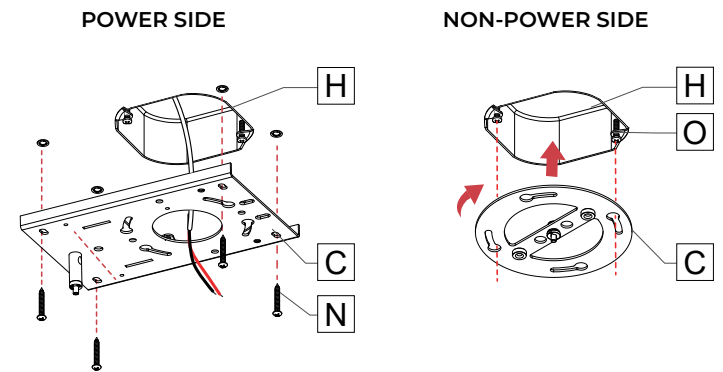
4 INSTALL CANOPY PLATES.

POWER SIDE

Fix canopy plate [C] with screws [N] on junction box [H] and ceiling.

NON-POWER SIDE

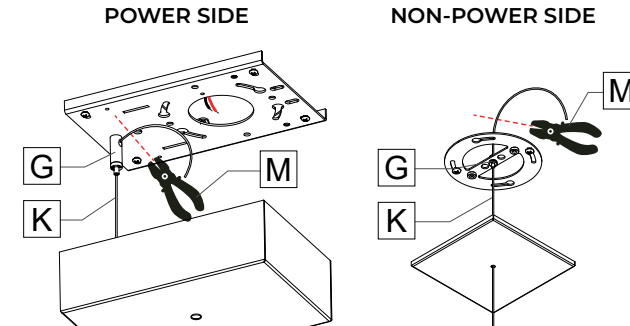
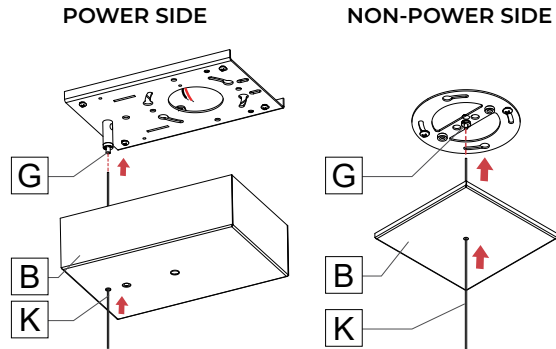
Mount and turn the mounting plate [C] to place on the junction box [H]. Tighten screws [O] to secure the mounting plate [C] to the junction box [H].



5 INSTALL AIRCRAFT CABLES.

For each canopy, pass the aircraft cable [K] through the canopy [B]. Insert it into the griplock [G]. Adjust the cables [K] by pushing the feeder tube on griplock [G].

To adjust the height, push aircraft cable [K] through griplock [G] and cut the excess cable with an aircraft cable cutter [M].

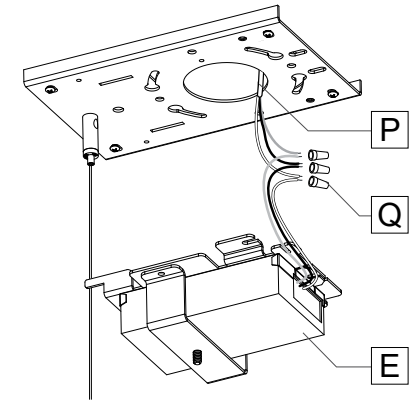


Note: Height adjustment of the fixture must be done at this step.

6 CONNECT DRIVER TO POWER.

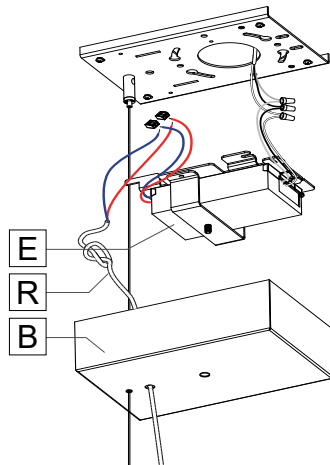
Make electrical connections between the driver [E] and the main power [P] with wire nuts [Q].

Warning: A luminaire with more than one power supply connection means shall be connected to only one branch circuit.



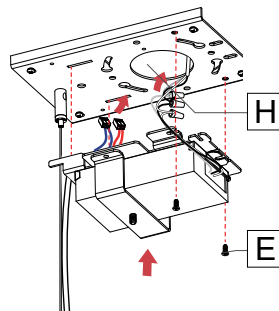
7 CONNECT DRIVER TO FIXTURE.

Pass the power cord [R] from the fixture through the canopy [B] and make a knot. Make electrical connections between the fixture power cord [R] and the canopy driver [E].



8 SECURE DRIVER.

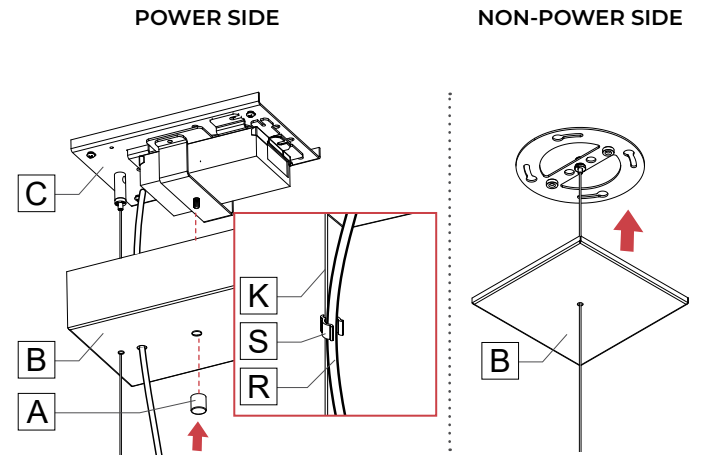
Push all of the cables into the junction box [H]. Secure the canopy driver [E] with screw.



9 INSTALL CANOPIES.

POWER SIDE
Put the canopy plate [C] and canopy [B] back in place using the cap nut [A]. Secure the power cord [R] to the aircraft cable [K] with plastic clip [S].

NON-POWER SIDE
Install the canopy [B].



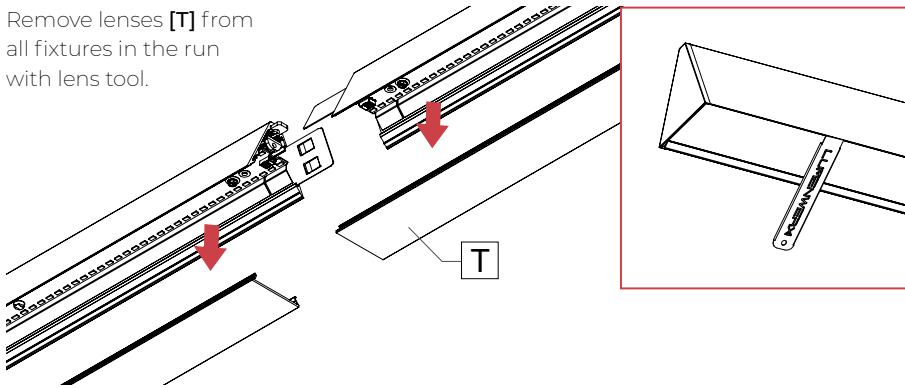
Arro 2 - Pendant Direct - Canopy Driver Box with Aircraft Cable

CONTINUOUS RUN

1 FOR CONTINUOUS RUN, REPEAT STEPS **1** TO **4** FROM THE SINGLE FIXTURE SECTION FOR ALL OF THE FIXTURES IN THE RUN. THEN,

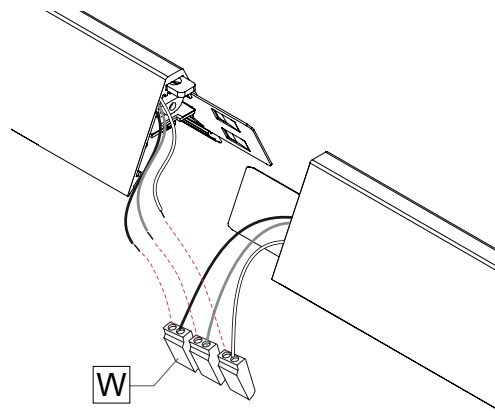
2 REMOVE LENSES.

Remove lenses **[T]** from all fixtures in the run with lens tool.



4 MAKE ELECTRICAL CONNECTIONS.

Connect wires between joining fixture using quick connectors **[W]**. Number of wires may vary.

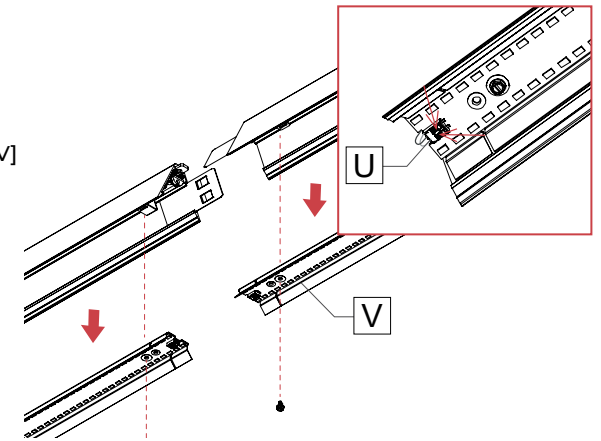


3 DISCONNECT AND REMOVE CARTRIDGES.

Disconnect LED moxex connector **[U]** by taking a pointed object and pressing on the two tabs on top.

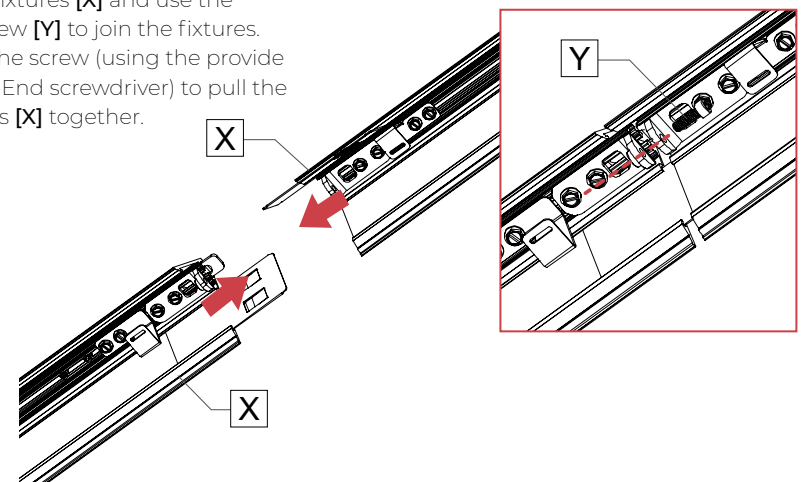
Remove the end cartridges **[M]** from all fixtures in the run.

Install the first fixture to the ceiling following steps **5 - 9** from the SINGLE FIXTURE section, then repeat it for the second fixture.



5 JOIN FIXTURES.

Join the fixtures **[X]** and use the joiner screw **[M]** to join the fixtures. Tighten the screw (using the provide 3/16" Ball-End screwdriver) to pull the extrusions **[X]** together.



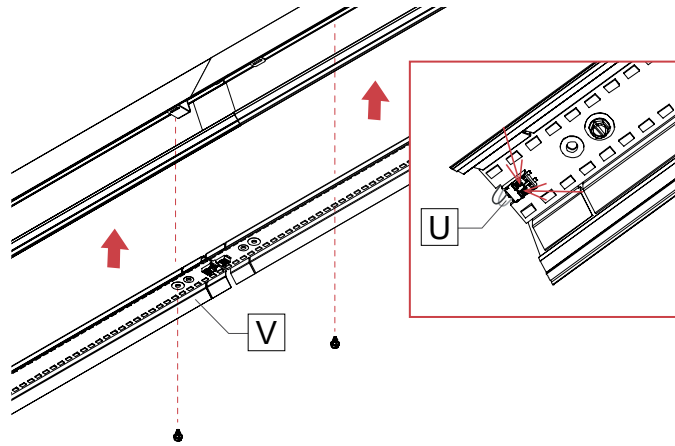
Arro 2 - Pendant Direct - Canopy Driver Box with Aircraft Cable

6 RECONNECT AND REINSTALL CARTRIDGES.

Reinstall all cartridges [V] and reconnect the LED molex connector [U].

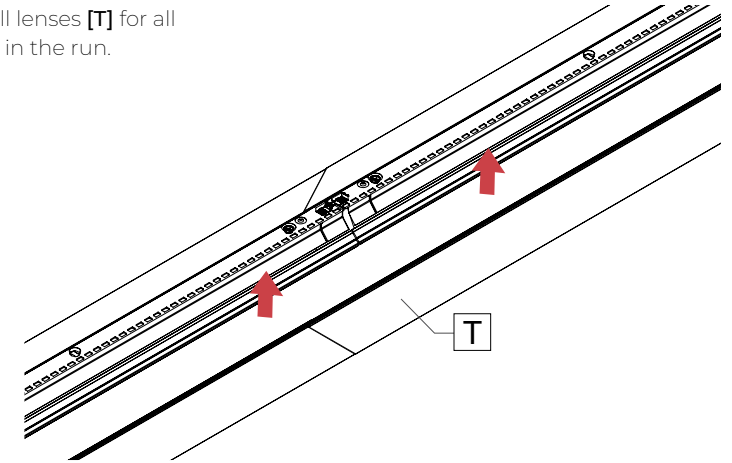
Make sure that the wires are not hiding any LED diode. Screw the cartridges back in place by using screw with plastic washer.

Warning: Do not apply too much pressure.



7 REINSTALL LENSES.

Reinstall lenses [T] for all fixtures in the run.



8 REPEAT TO INSTALL ALL OF THE FIXTURES IN THE RUN.