

## Arro 2 - Pendant Direct - Canopy Driver Box with Power-Over-Cable

**!** This product must be installed in accordance with the National Electrical Code and all applicable local codes, by a person familiar with the construction and operation of the product, and the hazards involved. Proper grounding is required for safety.

Ce produit doit être installé suivant le code national de l'électricité, ainsi que tous les codes locaux applicables, par une personne familière avec la construction et le fonctionnement du produit, ainsi que tous les risques qui y sont associés. La mise à terre électrique est obligatoire pour la sécurité.

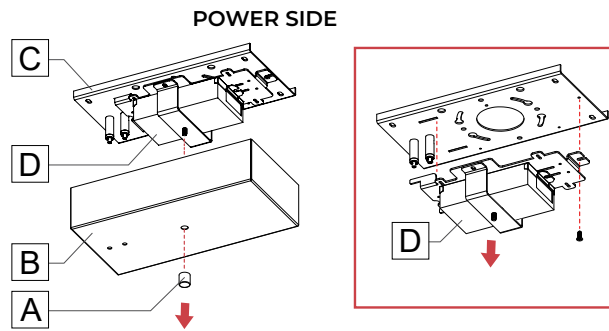
**!** Wire dimming conductors as Class 1.

**💡** Follow instructions accordingly.

### SINGLE FIXTURE

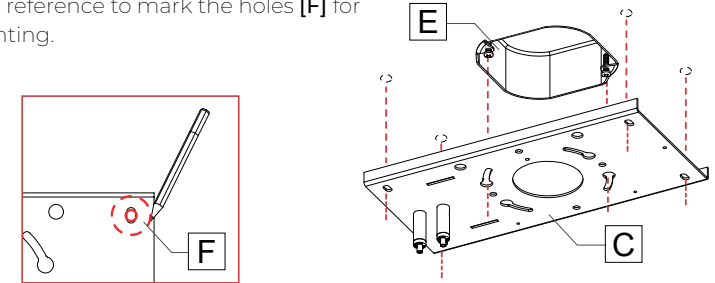
#### 1 DISASSEMBLE MOUNTING KIT.

Loosen the decorative nut [A] on the canopy [B]. Separate the canopy [B] from the canopy plate [C]. Unscrew to remove the canopy driver [D] from the canopy plate [C].



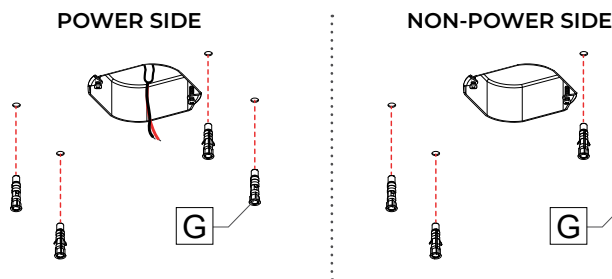
#### 2 MOUNT CANOPY PLATE.

Mount the canopy plate [C] to place on the junction box [E]. Use the canopy plate [C] as reference to mark the holes [F] for mounting.



#### 3 INSTALL SCREW ANCHORS.

Drill holes (1/4" diameter) following the marks drawn from previous step 2. Install #8 screws anchors [G].

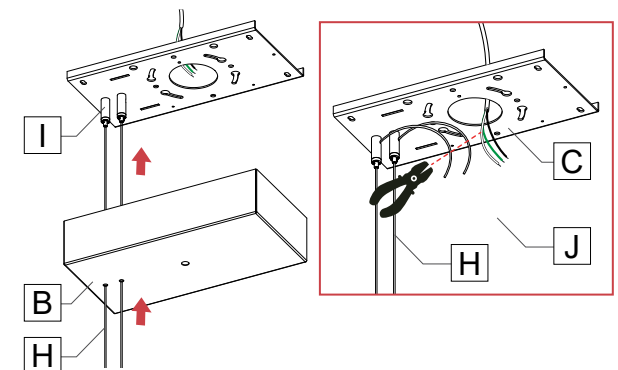


#### 4 INSTALL POWER-OVER-CABLES.

Pass all cables [H] through the canopy [B]. Insert them into the griplock [I]. Adjust the cables [H] by pushing the feeder tube.

Push all wires [H] out through canopy plate [C] and cut the excess cable with an aircraft cable cutter [J].

**Note:** Power-over-cable should have just enough length to make connection with the driver.



# ARRO

## Arro 2 - Pendant Direct - Canopy Driver Box with Power-Over-Cable

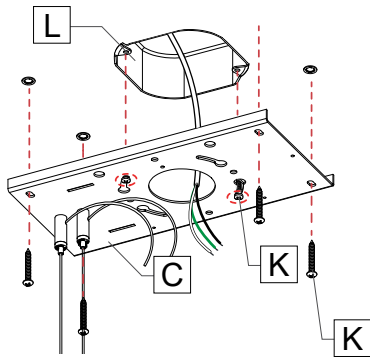
# LUMENWERX

### 5 INSTALL CANOPY PLATES.

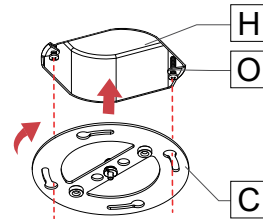
Fix canopy plate [C] with screws [K] on junction box [L] and ceiling.

**Note:** Make sure to have a steady hold of the fixture. So it is never hanging loosely from POC if installation is not complete.

#### POWER SIDE



#### NON-POWER SIDE

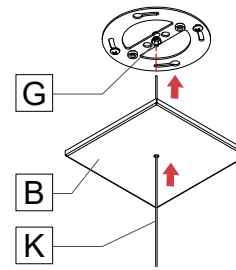


### 5 INSTALL AIRCRAFT CABLES.

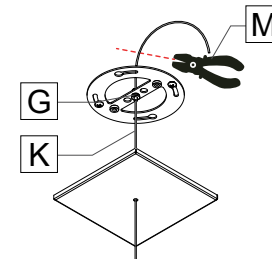
For each canopy, pass the aircraft cable [K] through the canopy [B]. Insert it into the griplock [G]. Adjust the cables [K] by pushing the feeder tube on griplock [G].

To adjust the height, push aircraft cable [K] through griplock [G] and cut the excess cable with an aircraft cable cutter [M].

#### NON-POWER SIDE



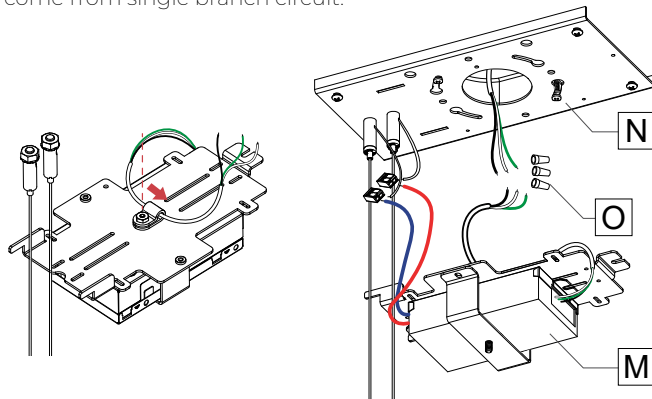
#### NON-POWER SIDE



### 6 CONNECT DRIVER TO POWER.

Make electrical connections between the driver [M] and the main power [N] with electrical marrettes [O].

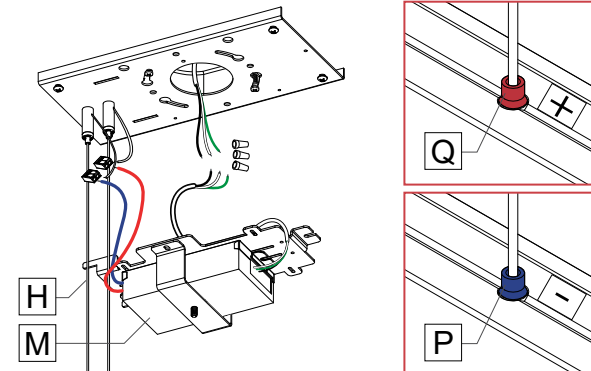
**Warning:** Power must come from single branch circuit.



### 7 CONNECT DRIVER TO POWER.

Make electrical connections between cables [H] and the driver [M].

**Note:** Make sure that you are connecting the negative [-] POC (as marked on the fixture with the blue color and a label [P]) to your negative wire and the positive [+] POC (as marked on the fixture with red color and a label [Q]) to your positive wire.

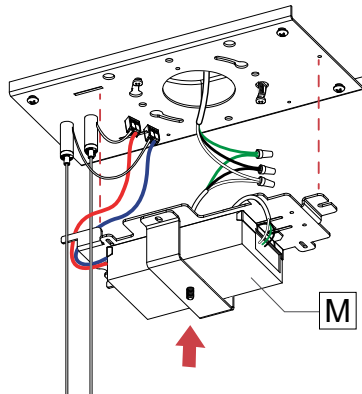


## Arro 2 - Pendant Direct - Canopy Driver Box with Power-Over-Cable

### 8 SECURE DRIVER.

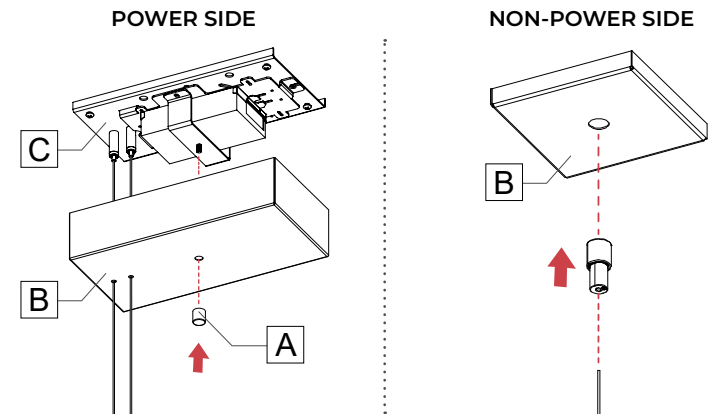
Secure the canopy driver [M] with screw.

Be sure to keep separated the low voltage cable from the high voltage cables. Push the cable and connectors into the J-box



### 9 INSTALL CANOPIES.

Put the canopy plate [C] and canopy [B] back in place using the decorative nut [A].

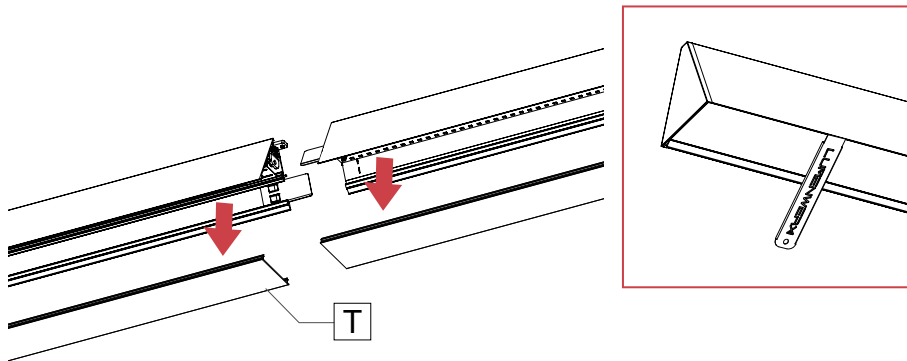


## CONTINUOUS RUN

**1** FOR CONTINUOUS RUN, REPEAT STEPS **1** TO **5** FROM THE SINGLE FIXTURE SECTION FOR ALL OF THE FIXTURES IN THE RUN.

### 2 REMOVE LENSES.

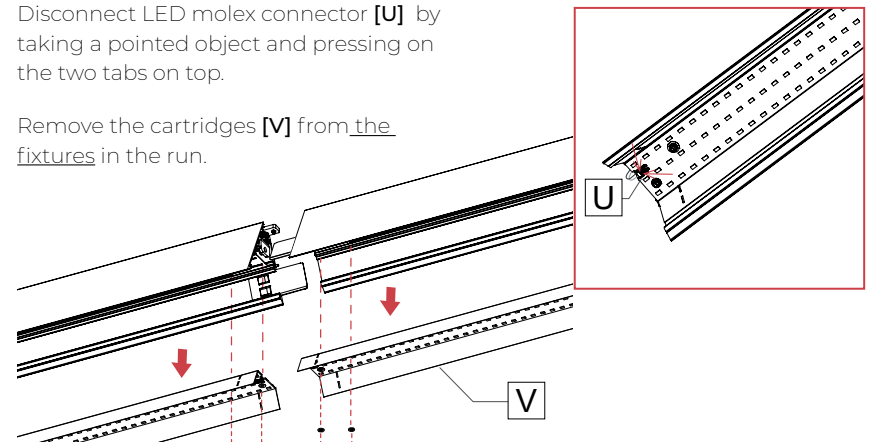
Remove lenses [T] from all fixtures in the run.



### 3 DISCONNECT AND REMOVE CARTRIDGES.

Disconnect LED mox connector [U] by taking a pointed object and pressing on the two tabs on top.

Remove the cartridges [V] from the fixtures in the run.

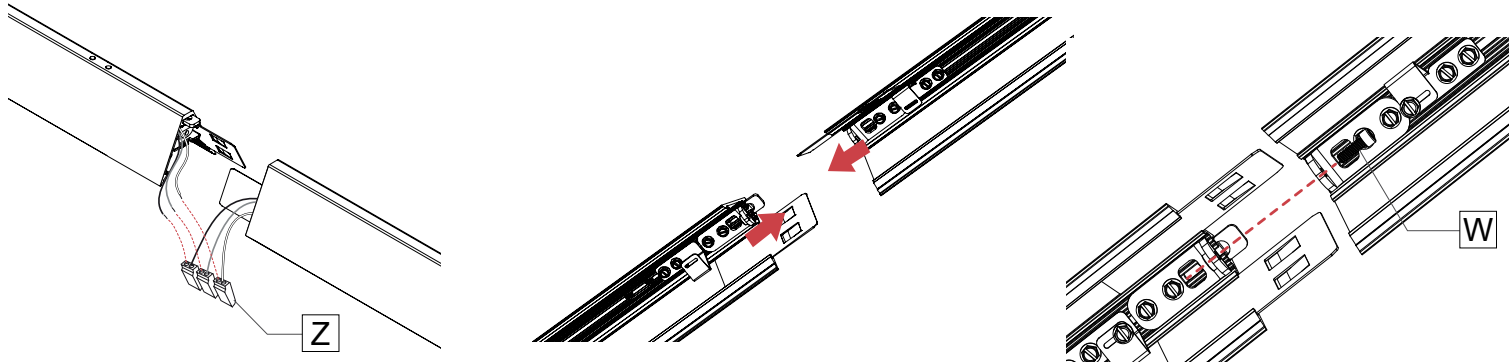


## Arro 2 - Pendant Direct - Canopy Driver Box with Power-Over-Cable

### 4 JOIN FIXTURES.

Connect wires between joining fixture using quick connectors [Z]. Number of wires may vary.

Join the fixtures and put back the joiner screw [W] in place. Tighten the screw [W] (using the provide 3/16" Ball-End screwdriver [Y]) to pull the extrusions together.

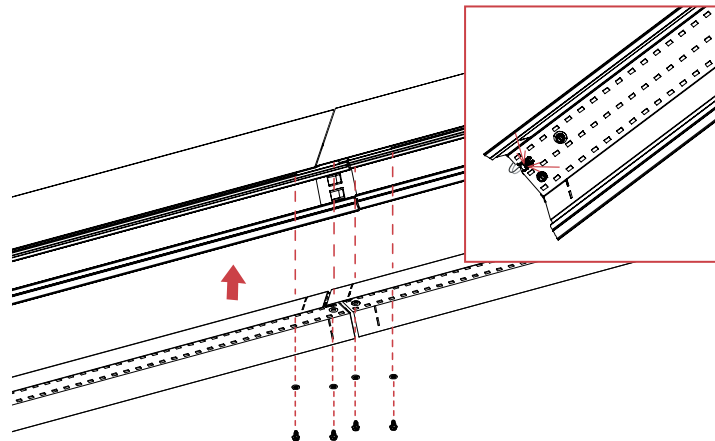


### 5 RECONNECT AND REINSTALL CARTRIDGES.

Reinstall all cartridges [V] and reconnect the LED molex connector [U].

Make sure that the wires are not hiding any LED diode. Screw the cartridges back in place by using screw with plastic washer.

**Warning:** Do not apply too much pressure.



### 6 REINSTALL LENSES.

Reinstall lenses [T] for all fixtures in the run.

