



ARRO 4 ACOUSTIX

Pendant

LUMENWERX

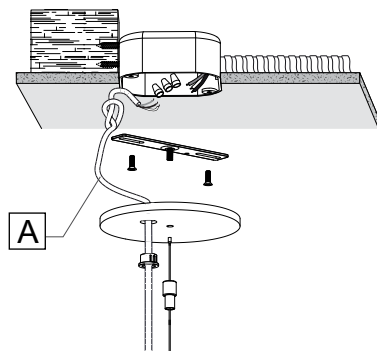
 This product must be installed in accordance with the National Electrical Code and all applicable local codes, by a person familiar with the construction and operation of the product, and the hazards involved. Proper grounding is required for safety.

Ce produit doit être installé suivant le code national de l'électricité, ainsi que tous les codes locaux applicables, par une personne familière avec la construction et le fonctionnement du produit, ainsi que tous les risques qui y sont associés. La mise à terre électrique est obligatoire pour la sécurité.

 Wire dimming conductors as Class 1.

1 MAKE ELECTRICAL CONNECTIONS TO THE MAIN POWER.

Locate ceiling mounting points according to supplied client drawing. Make a knot in the power cord [A] and then connect it to the ceiling power feed.



NOTE: Number of wires may vary.

Warning: A luminaire with more than one power supply connection means shall be connected to only one branch circuit.

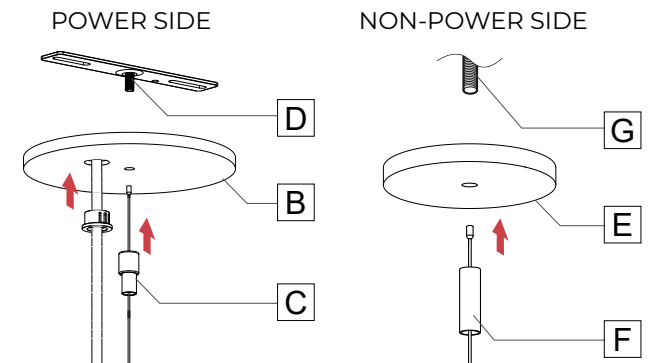
2 INSTALL ALL OF THE CANOPIES.

POWER SIDE

Secure canopy [B] with slip ring [C] on threaded rod [D].

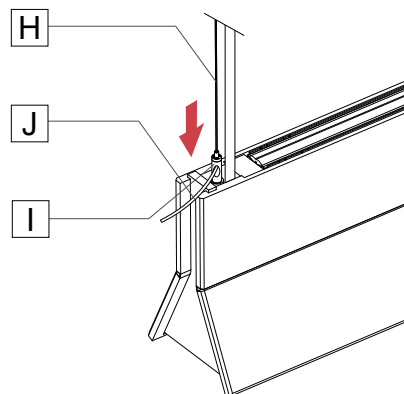
NON-POWER SIDE

Secure canopy [E] with cable coupler [F] on threaded rod (1/4"-20) [G] (by others).

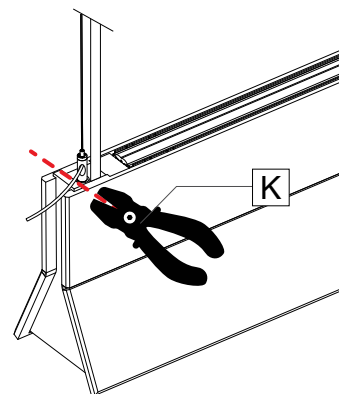


3 INSTALL AIRCRAFT CABLES.

Insert the aircraft cable [H] into the griplock [I]. Adjust the aircraft cable [H] length by pushing the feeder tube [J].



Cut the excess cable with an aircraft cable cutter [K].



Secure power cord [A] to aircraft cable [H] with plastic clip [L].

