


CAB


Undercabinet surface mount





INSTALLATION INSTRUCTIONS


 This product must be installed in accordance with the National Electrical Code and all applicable local codes, by a person familiar with the construction and operation of the product, and the hazards involved. Proper grounding is required for safety.

Ce produit doit être installé suivant le code national de l'électricité, ainsi que tous les codes locaux applicables, par une personne familière avec la construction et le fonctionnement du produit, ainsi que tous les risques qui y sont associés. La mise à terre électrique est obligatoire pour la sécurité.


 Disconnect power before installation or servicing.

 Wire dimming conductors as Class 1.

 A luminaire with more than one power supply connection means shall be connected to only one branch circuit.

 For electrical connections, please refer to the [wiring diagram guide](#).

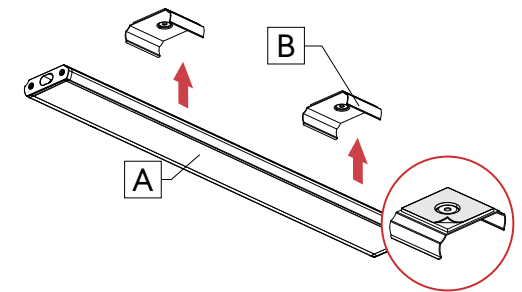


 For remote driver box installation instructions, please refer to the [remote driver installation sheet](#).

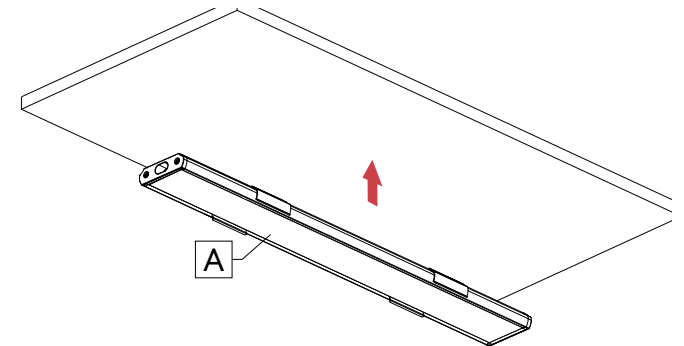


1 INSTALL BRACKETS.

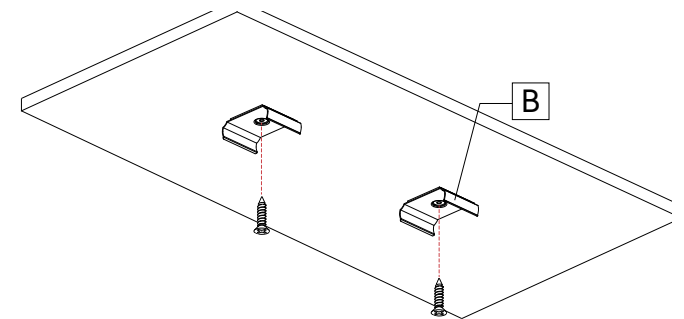
Insert fixture(s) **[A]** to brackets **[B]**.
Peel the double-sided tape off on the bracket **[B]**.



Stick fixture(s) **[A]** under the cabinet.



Remove fixture(s) from bracket **[B]**.
Install bracket **[B]** with screws.

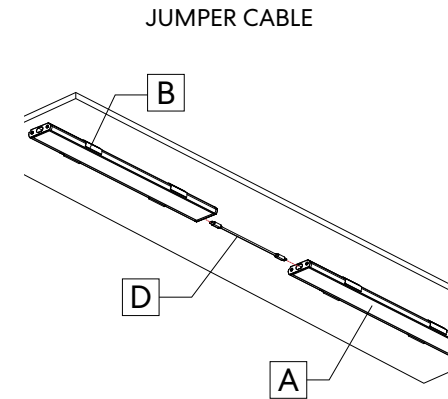
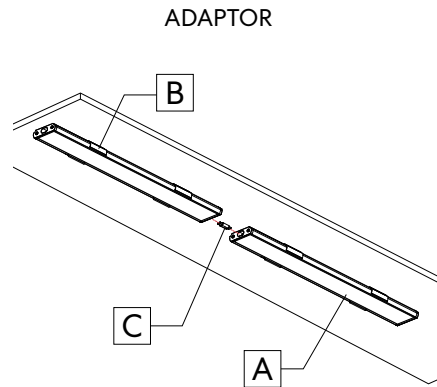


INSTALLATION INSTRUCTIONS

2 INSTALL FIXTURES.

Place fixture(s) [A] back to bracket [B].

Connect fixture(s) [A] using adaptor(s) [C] or jumper cable(s) [D] if required.



3 MAKE ELECTRICAL CONNECTIONS.

Insert touchless control [E] using adaptor(s) [C] to fixture(s) [A].

24W WALL PLUG OPTION:
Plug the socket [F].

REMOTE DRIVER BOX OPTION:
Make electrical connections between fixture [A] and remote driver [G] with wire nuts (by others).

Note: For electrical connections, please refer to the [wiring diagram guide](#).

