



FORMA - CARET / CUPOLA


Pendant

LUMENWERX

 This product must be installed in accordance with the National Electrical Code and all applicable local codes, by a person familiar with the construction and operation of the product, and the hazards involved. Proper grounding is required for safety.

Ce produit doit être installé suivant le code national de l'électricité, ainsi que tous les codes locaux applicables, par une personne familière avec la construction et le fonctionnement du produit, ainsi que tous les risques qui y sont associés. La mise à terre électrique est obligatoire pour la sécurité.

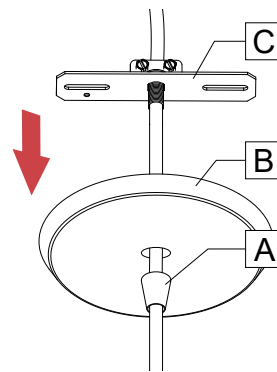
 Wire dimming conductors as Class 1.

 Shown with Caret fixture.

Power cord

1 SEPERATE CANOPY.

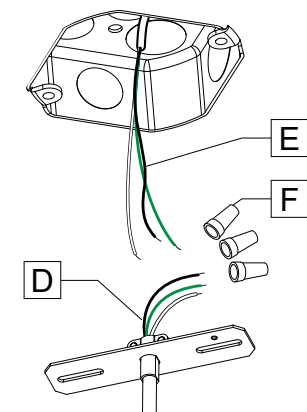
Unscrew the decorative nut [A]. Lower the canopy [B] from the cross bar [C].



2 MAKE ELECTRICAL CONNECTIONS.

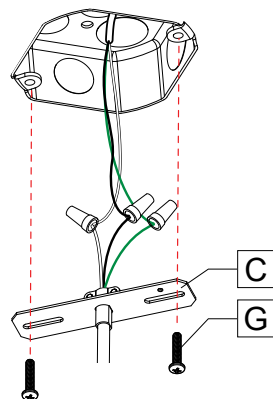
Make electrical connections between the power cord [D] and the main power [E] with the wire nuts [F].

Warning: A luminaire with more than one power supply connection means shall be connected to only one branch circuit.



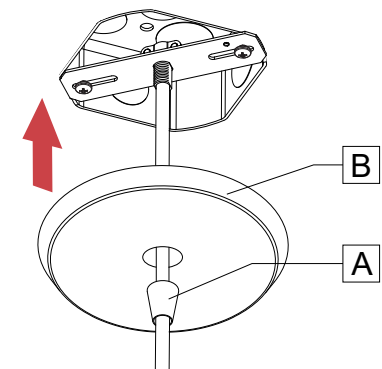
3 INSTALL CROSSBAR TO J-BOX.

Tighten the two screws [G] to secure the crossbar [C] to the junction box.



4 FIX PLATE WITH DECORATIVE NUT.

Raise the canopy [B]. Tighten the decorative nut [A].



FORMA - CARET / CUPOLA

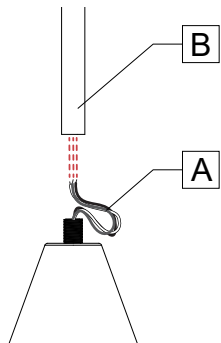
Pendant

LUMENWERX

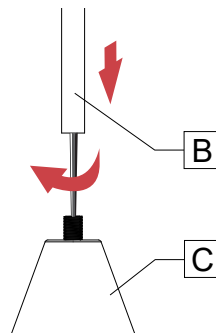
STEM

1 PASS WIRES THROUGH STEM.

Pass the wires [A] through the stem [B].



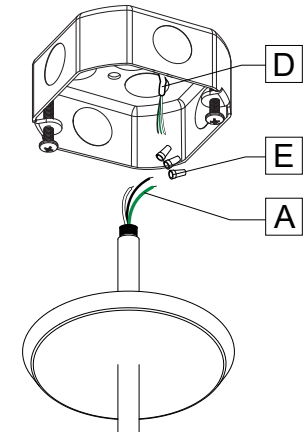
Slightly tighten the stem [B] on the fixture [C].



2 MAKE ELECTRICAL CONNECTIONS.

Make electrical connections between the wires [A] and the main power [D] with the wire nuts [E].

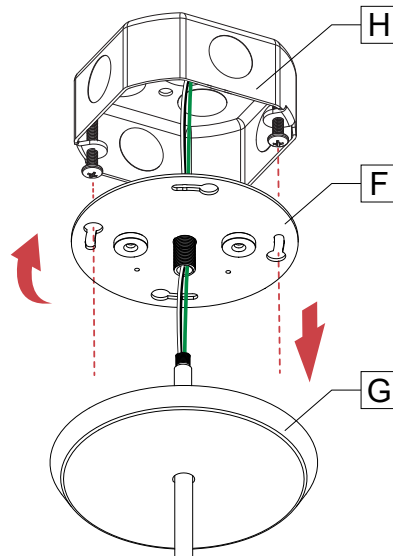
Warning: A luminaire with more than one power supply connection means shall be connected to only one branch circuit.



3 FIX CANOPY PLATE TO J-BOX

Detach the canopy plate [F] from the canopy [G].

Fix the canopy plate [F] to the junction box [H] by turning.



4 INSTALL STEM.

Screw the stem [B] on the canopy plate [F].

Attach the canopy [G] to the canopy plate [F].

