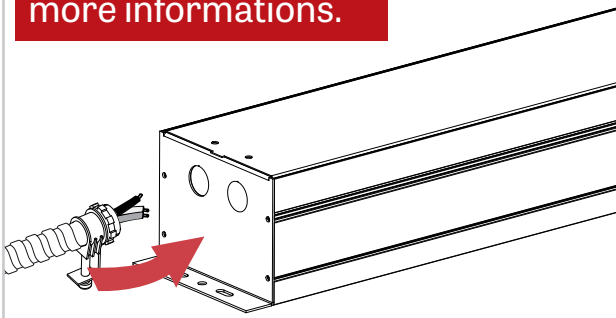


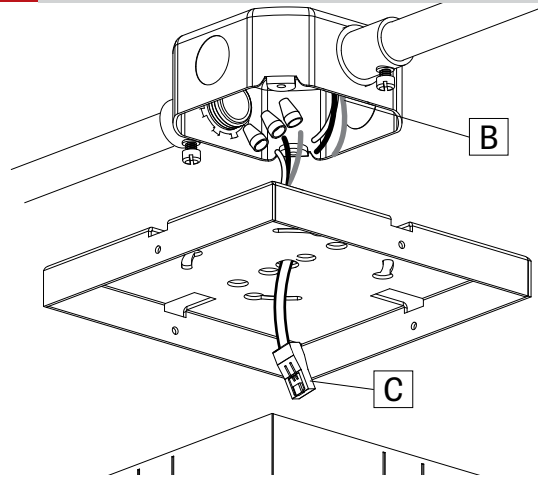
NOTE: Wire dimming conductors as Class 1

1 REMOTE DRIVER BOX

Please refer to the remote driver installation sheet for more informations.

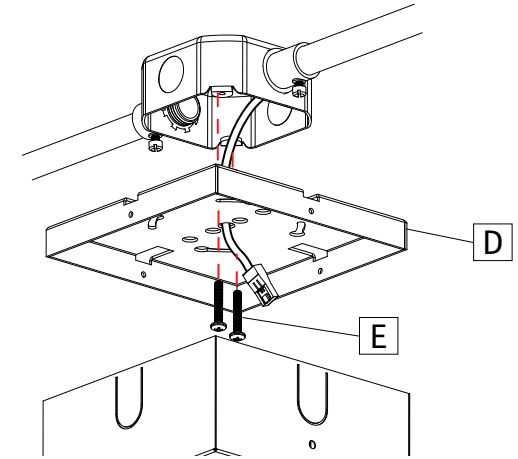


2 STEM INSTALLATION



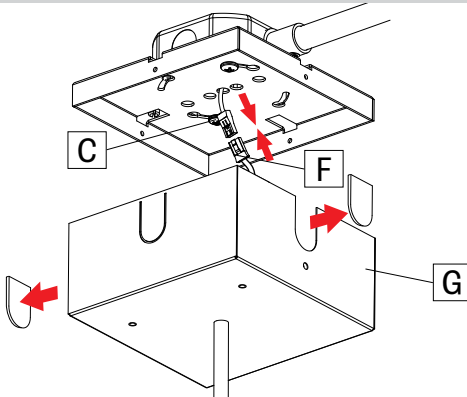
Make the connection between the main power (B) and the main power quick connector (C).

3 STEM INSTALLATION



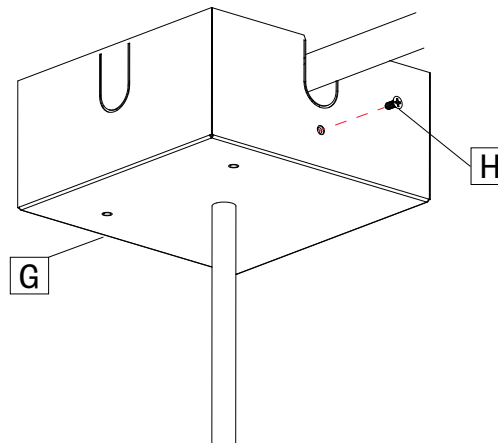
Fix the cross bar (D) to the junction box using screws (E).

4 STEM INSTALLATION



Make the connection between the fixture quick connector (F) and the main power quick connector (C). Punch out the knock outs of the canopy (G) to allow the canopy to fit over the conduits.

5 STEM INSTALLATION



Secure the canopy (G) by tightening the pan head screw (H).