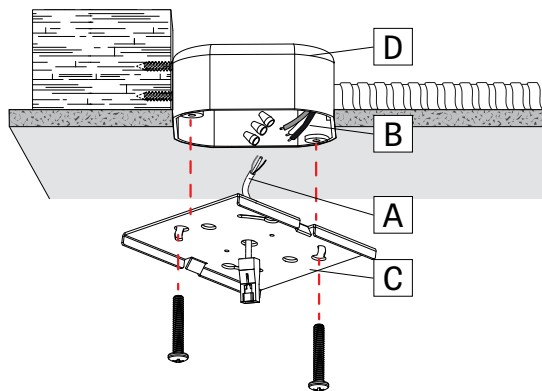


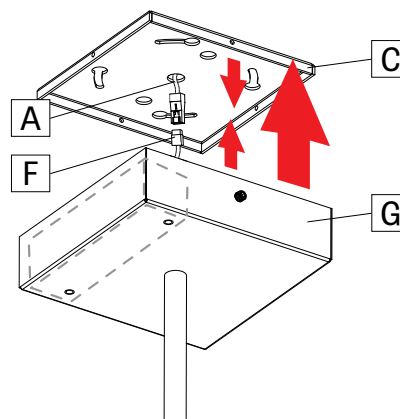
NOTE: Wire dimming conductors as Class 1

1 STEM INSTALLATION



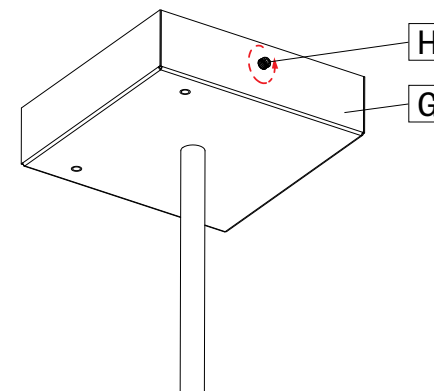
Connect the main power quick connect (A) to the main power (B). Secure crossbar (C) onto the junction box (D).

2 STEM INSTALLATION



Connect the fixture quick connect (F) to the main power quick connect (A). Secure the canopy (G) onto the crossbar (C).

3 STEM INSTALLATION



Secure the canopy (G) by tightening the set screws (H).