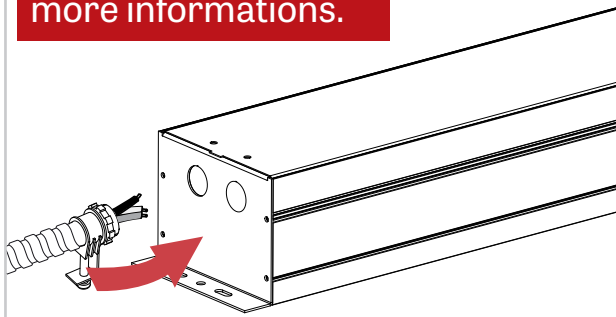


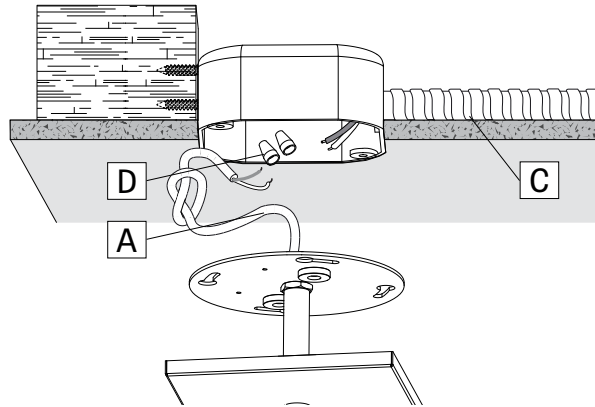
NOTE: Wire dimming conductors as Class 1

1 REMOTE DRIVER BOX

Please refer to the remote driver installation sheet for more informations.

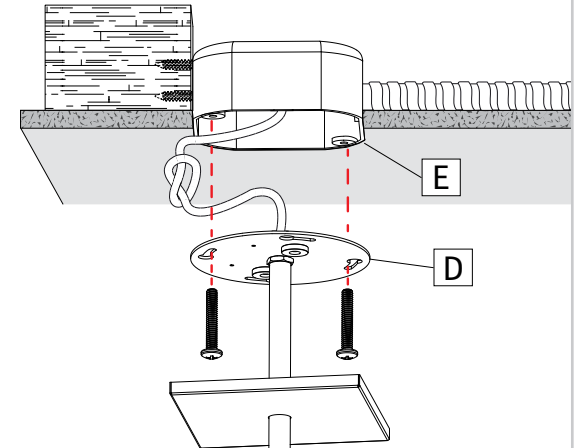


2 STEM INSTALLATION



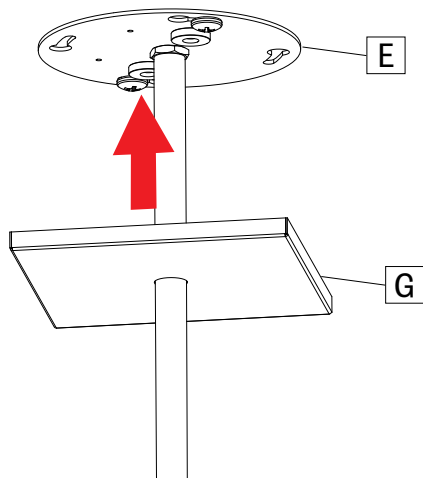
Make the electrical connection between the fixture cable (A) and the main power (C) with wire nuts (D).

3 STEM INSTALLATION



Fix the crossbar (D) onto the junction box (E) using screws.

4 STEM INSTALLATION



Secure the canopy (G) onto the crossbar (E).