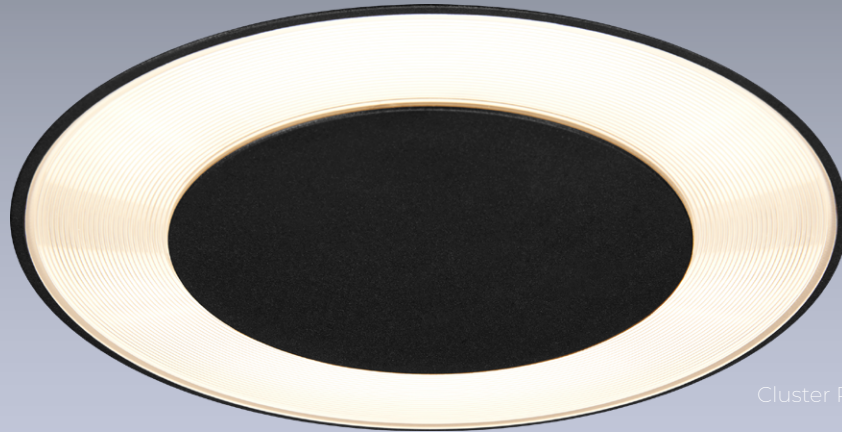


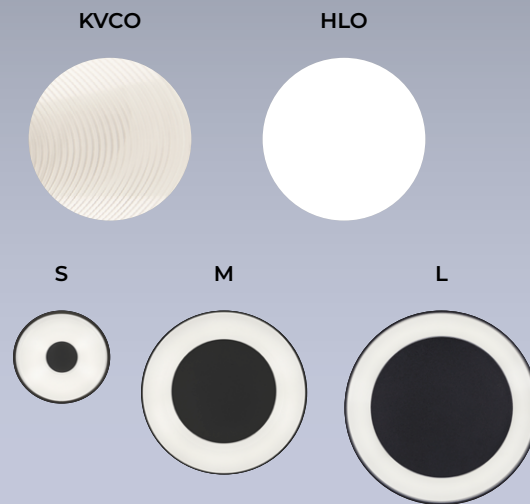
# CLUSTER PI

RECESSED  
KVCO, HLO OPTICS

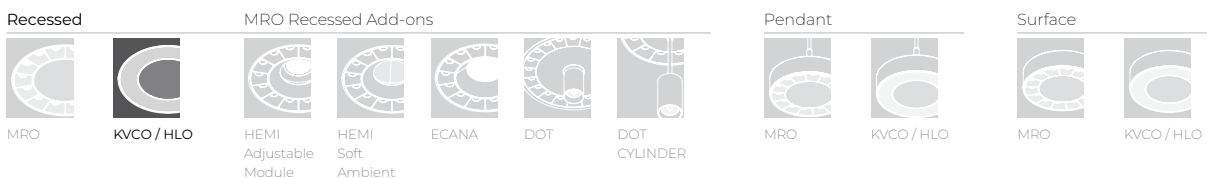


Cluster Pi M KVCO

Both Cluster Pi with HLO and Cluster Pi with KVCO™ integrate the beauty and quality of our Cluster family into circular fixtures featuring sophisticated optics and a timeless modernist esthetic. The luminaires occupy low profiles of under 2", are available in three sizes—Small (3.5"), Medium (6.5"), and Large (9")—and can be recessed, surface, or pendant mounted.



## Cluster Pi Family (Refer to other spec sheets)



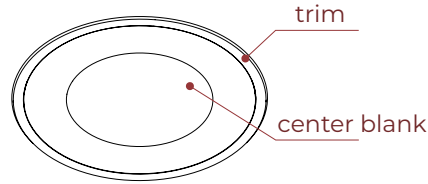


# CLUSTER PI

RECESSED  
KVCO, HLO OPTICS



## Overview



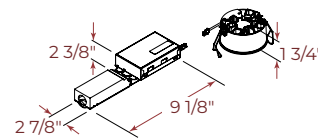
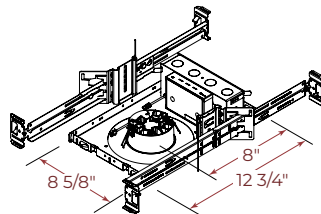
## Housing

### INSTALLATION TYPE

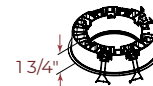
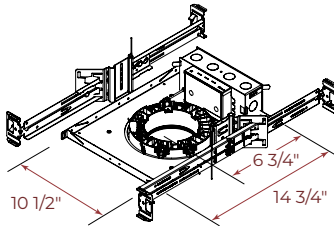
**OF** - Open frame

**RM** - Remodel

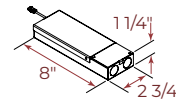
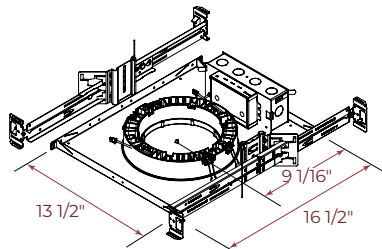
CLUSTER PI S



CLUSTER PI M

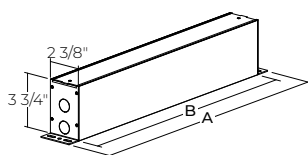


CLUSTER PI L



## REMOTE DRIVER BOX

RDB8 / RDB18



	RDB8	RDB18
<b>A</b>	10"	20"
<b>B</b>	8"	18"
<b>DRIVER</b>	<b>RD1</b> - 1% 0-10V <b>RELV</b> - ELV 120V <b>RTRI</b> - TRIAC 120V <b>RPEQ0</b> - Lutron Hi-lume Premier 0.1% EcoSystem	<b>RLDE1</b> - Lutron Hi-lume 1% Eco <b>RDA</b> - DALI <b>RELD1</b> - eldoLED 1% ECOdrive 0-10V <b>RELD0</b> - eldoLED 0.1% SOLOdrive 0-10V

# CLUSTER PI

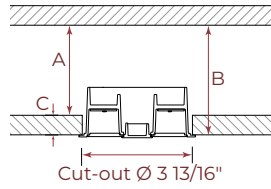
## RECESSED

### KVCO, HLO OPTICS

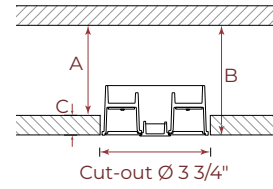


#### CEILING DETAILS

##### CLUSTER PI S

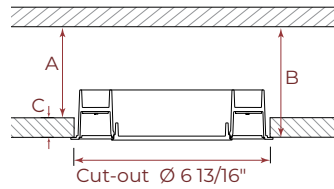


**TRM** - Flanged trim  
**TLMP** - Trimless drywall mudplate

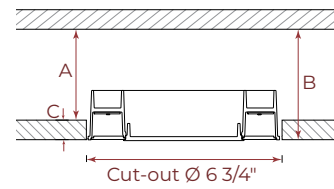


**TLMW** - Trimless millwork

##### CLUSTER PI M

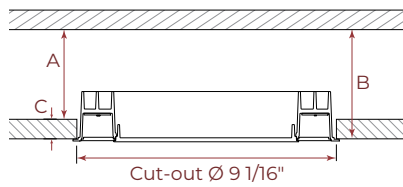


**TRM** - Flanged trim  
**TLMP** - Trimless drywall mudplate

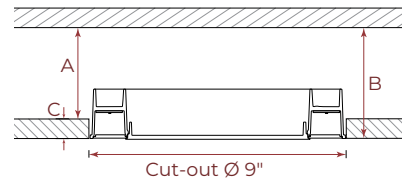


**TLMW** - Trimless millwork

##### CLUSTER PI L



**TRM** - Flanged trim  
**TLMP** - Trimless drywall mudplate



**TLMW** - Trimless millwork

	PLENUM CLEARANCE HEIGHT DIMENSIONS			<b>C</b> MAXIMUM CEILING THICKNESS
	<b>A</b> OPEN FRAME REMOTE & INTEGRAL	<b>B</b> REMODEL INTEGRAL	<b>B</b> REMODEL REMOTE	
S	4 1/4" (3 3/4" for FMB)	7 1/2"	3 3/4"	1 1/8"
M	4 1/4" (3 3/4" for FMB)	3 3/4"	3 3/4"	1 1/8"
L	4 1/4" (3 3/4" for FMB)	3 3/4"	3 3/4"	1 1/8"

# CLUSTER PI

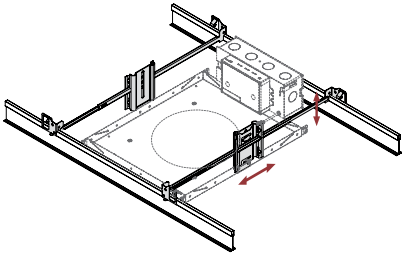
## RECESSED

### KVCO, HLO OPTICS



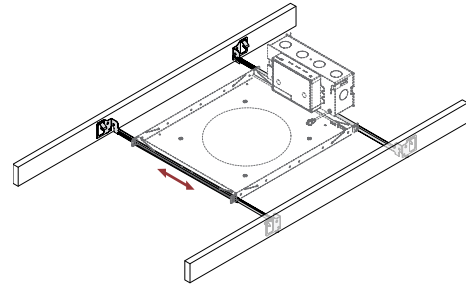
#### MOUNTING OPTIONS

**ASB** - Adjustable Standard Bar Hangers



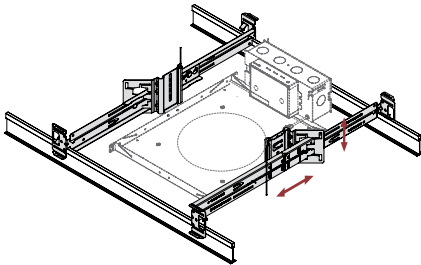
Adjustable Standard Bar hangers can be used in both commercial and residential applications and are adjustable to various heights in both Grid Ceiling and Drywall mounting. ASB hangers are less rigid and versatile than ACB hangers.

**FMB** - Flush Mount Bars



Flush Mount Bars are best used in residential applications, fitting snug to the surface and suitable for Wood, Metal, and Drywall mounting. The flush mounted bars are static and can't be adjusted.

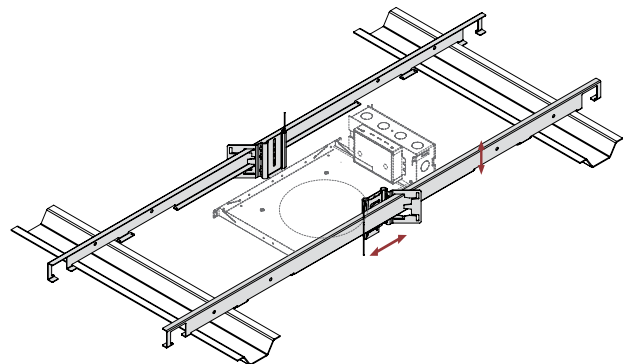
**ACB** - Adjustable Commercial Bar Hangers



Adjustable Commercial Bar hangers can be used in both commercial and residential applications and are by far the most versatile mounting bar we offer with its adjustability to various heights. ACB hangers are suitable for Grid Ceiling, Drywall, Metal, Wood and Frame mounting.

- Extremely rigid
- Fits into C-Channel notches in a Butterfly Bracket

**AHC** - Adjustable Hat Channel Bars



Adjustable Hat Channel bars can be used in both commercial and residential applications and come with a butterfly clip to adjust to various heights. AHC bars can be hung downward by 90 degrees in vertical position, and once wired, can be shifted onto the horizontal mounting plane. AHC bars are suitable for both Drywall and wood ceiling applications.

# CLUSTER PI

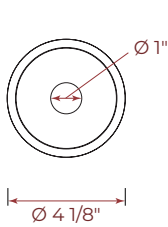
## RECESSED

KVCO, HLO OPTICS

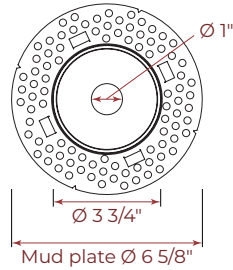


### Light

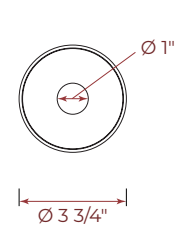
#### CLUSTER PI S



**TRM** - Flanged trim

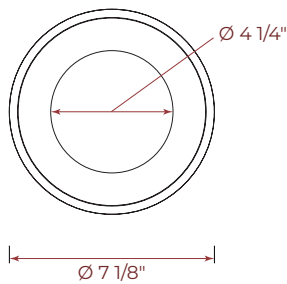


**TLMP** - Trimless drywall mudplate

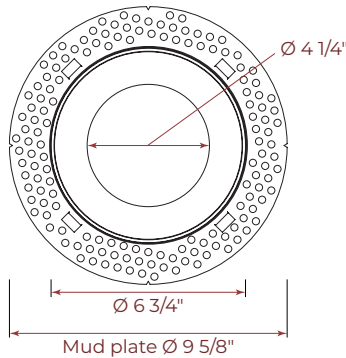


**TLMW** - Trimless millwork

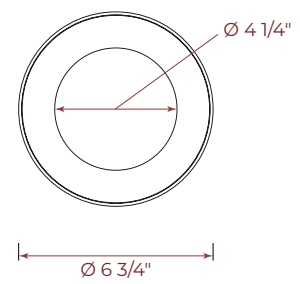
#### CLUSTER PI M



**TRM** - Flanged trim

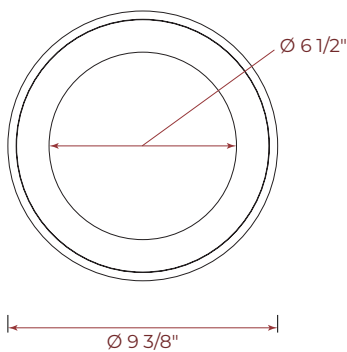


**TLMP** - Trimless drywall mudplate

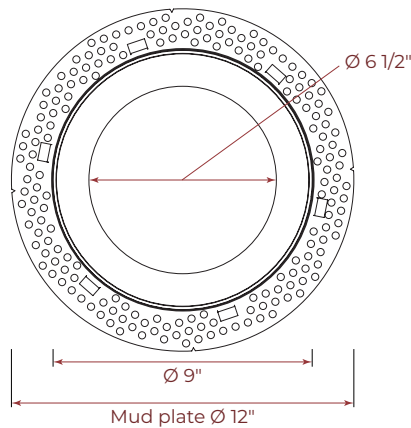


**TLMW** - Trimless millwork

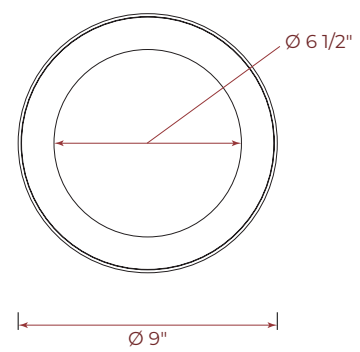
#### CLUSTER PI L



**TRM** - Flanged trim



**TLMP** - Trimless drywall mudplate



**TLMW** - Trimless millwork

# CLUSTER PI

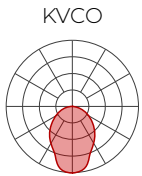
## RECESSED

KVCO, HLO OPTICS

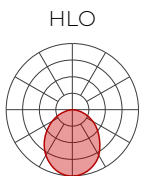


### Photometrics

Values calculated based on 3500K and 90 CRI for all optics.



	LM	W	LM/W
S	360	4.9	73
M	700	8.2	85
L	1200	16.7	72



	LM	W	LM/W
S	400	4.9	82
M	780	8.2	95
L	1350	16.7	81

### MULTIPLIER TABLE

Use the table to get results for different color temperatures for all photometric tables.

Multiplier - CCT/CRI

CCT	WATTS 90 CRI	LPW 90 CRI
2700K	1.04	0.95
3000K	1.02	0.98
3500K	1	1
4000K	0.97	1.02
5000K	0.96	1.05

# CLUSTER PI

## RECESSED

KVCO, HLO OPTICS



## Technical Specifications

### OPTICS

#### Kinetic Visual Comfort Optic™ (KVCO™)

The Kinetic Visual Comfort Optic™ is finely crafted with a series of concentric grooves serving as light-bending prisms that redirect parallel rays to a common focal length. The resulting beams are precise and clean. The optic can change in appearance depending on the lighting conditions in its immediate surroundings.

#### High-Efficiency Lambertian Optic (HLO)

The High-Efficiency Lambertian Optic (HLO) is engineered with reflective sidewalls that distribute LED output across acrylic shielding, delivering soft, diffused beams. To negotiate the curves of Lumenwerx rounded fixtures, the HLO is equipped with proprietary SupremeGrip™ technology, which keeps the optic securely in place.

### LIGHT SOURCE

Custom array of mid-flux LEDs are cartridge-mounted with quick-connect wiring to facilitate service and thermal management. Available in 2700K, 3000K, 3500K, 4000K, and 5000K with 90 CRI and elevated R9 value. Color consistency maintained to within 3 SDCM. All LEDs have been tested in accordance with IESNA LM-80-08 and the results have shown L80 lumen maintenance greater than 60,000 hours. Absolute product photometry is measured and presented in accordance with IESNA LM-79, unless otherwise indicated.

### ELECTRICAL

Unless otherwise specified, dimming down to 1%. At maximum driver load: efficiency > 84%, PF > 0.9, THD < 20%.

**Integral driver:** 0-10V, ELV, TRIAC, Lutron Hi-Lume EcoSystem, DALI, eidoLED 0.1% SOLOdrive 0-10V, eidoLED 1% ECOdrive 0-10V

**Remote driver:** 0-10V, ELV, TRIAC, Lutron Hi-Lume EcoSystem, DALI, eidoLED 0.1% SOLOdrive 0-10V, eidoLED 1% ECOdrive 0-10V

### PoE

Depending on the PoE manufacturer selected, Lumenwerx will install the node in factory as either integral to the luminaire or as a remote module. Factory programming of the PoE node may or may not enable the following functionalities: lumen package, DUO (tunable white), QUADRO (RGBW), emergency battery backup, and sensor integration. These must be addressed and evaluated on a case-by-case basis.

### CONSTRUCTION

**Housing:** Die-cast aluminum

**Lens:** Acrylic

**Mounting frame:** Galvanised steel

**Finish:** Textured matte white and matte black. Custom colors also available (provide RAL #).

### WEIGHT

	<u>Open frame</u>	<u>Remodel</u>
<b>Cluster Pi S</b>	3 lbs - 1.3 kg	0.53 lbs - 0.24 kg
<b>Cluster Pi M</b>	4.3 lbs - 2 kg	1.25 lbs - 0.6 kg
<b>Cluster Pi L</b>	5 lbs - 2.25 kg	1.8 lbs - 0.8 kg

### CERTIFICATION

**ETL:** Rated for indoor dry/damp locations. Conforms to UL Standard 1598 and certified to CAN/CSA Standard C22.2 No. 250.0.

### WARRANTY

Lumenwerx provides a five-year limited warranty of electrical and mechanical performance of the luminaires, including the LED boards, drivers, and auxiliary electronics. Lumenwerx will repair or replace defective luminaires or components at our discretion, provided they have been installed and operated in accordance with our specifications. Other limitations apply, please refer to the full warranty on our website.