

CLUSTER PI

Surface



! This product must be installed in accordance with the National Electrical Code and all applicable local codes, by a person familiar with the construction and operation of the product, and the hazards involved. Proper grounding is required for safety.

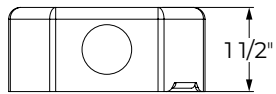
Ce produit doit être installé suivant le code national de l'électricité, ainsi que tous les codes locaux applicables, par une personne familière avec la construction et le fonctionnement du produit, ainsi que tous les risques qui y sont associés. La mise à terre électrique est obligatoire pour la sécurité.

! Wire dimming conductors as Class 1.

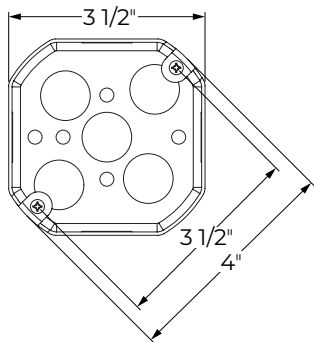
💡 For electrical connections, please refer to the [Wiring Diagram Guide](#).

OVERVIEW (Remote driver)

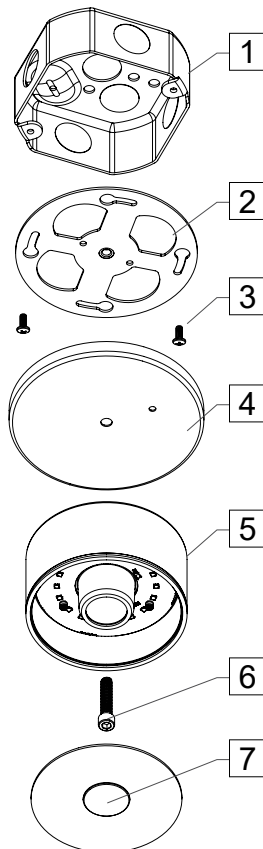
Junction box (by others)



Standard 4" octagonal junction box

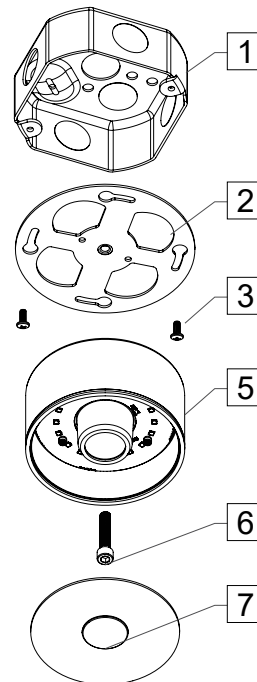


Flat canopy

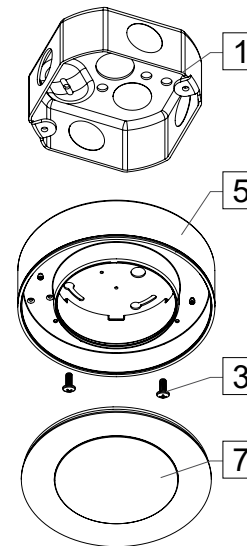


Direct mount

CLUSTER PI S



CLUSTER PI M CLUSTER PI L



Items list

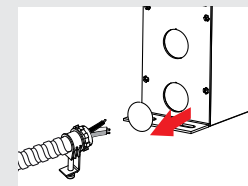
1	Junction box (by others)
2	Mounting plate
3	J-box screws (by others)
4	Flat canopy
5	Fixture
6	Hex screw
7	Center blank + Lens

Tools required

- Allen key 5/64"
- Phillips screwdriver
- Socket screwdriver 1/4"

Shown with HLO optics, applies to KVCO and MRO options.

! For remote driver box, please refer to the [remote driver installation sheet](#) for more information.



CLUSTER PI

Surface

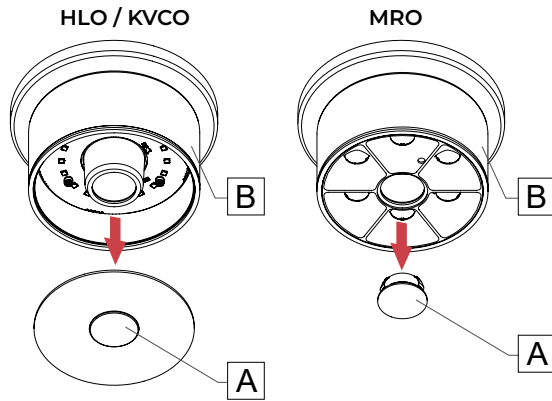


FLAT CANOPY - CLUSTER PI S

1 REMOVE CENTER.

Remove center blank [A] from the fixture [B].

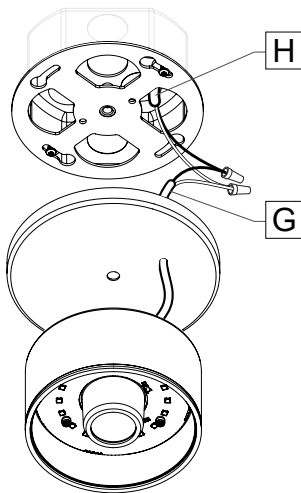
Note: For HLO and KVCO, lenses will come out with it. Keep it in a safe place.



4 MAKE ELECTRICAL CONNECTIONS.

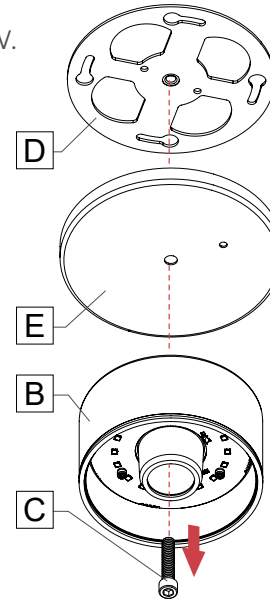
Make electrical connections between the fixture cable [G] and the main power [H] using wire nuts (by others).

Warning: A luminaire with more than one power supply connection means shall be connected to only one branch circuit.



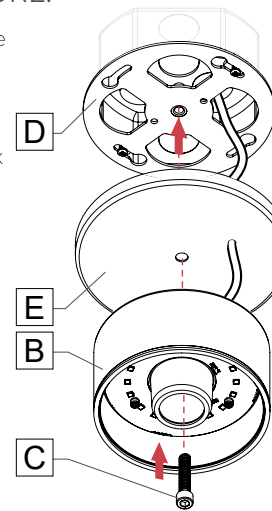
2 REMOVE SCREW.

Remove the hex screw [C] to detach the mounting plate [D] from the canopy [E] and the fixture [B].



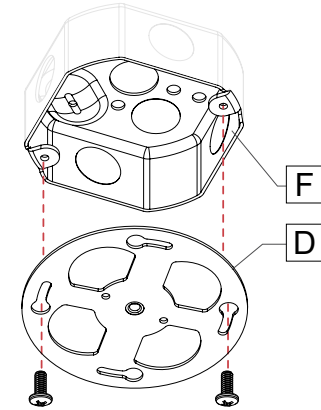
5 FIX THE FIXTURE.

Attach and secure the fixture [B] with the canopy [E] onto the mounting plate [D] with the provided hex screw [C].



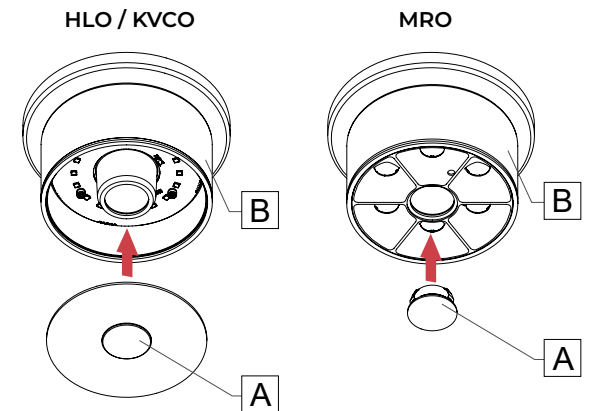
3 FIX THE MOUNTING PLATE.

Attach and secure the mounting plate [D] onto the junction box [F] with screws.



6 REINSTALL THE CENTER.

Reinstall the center blank [A] onto the fixture [B].



CLUSTER PI

Surface

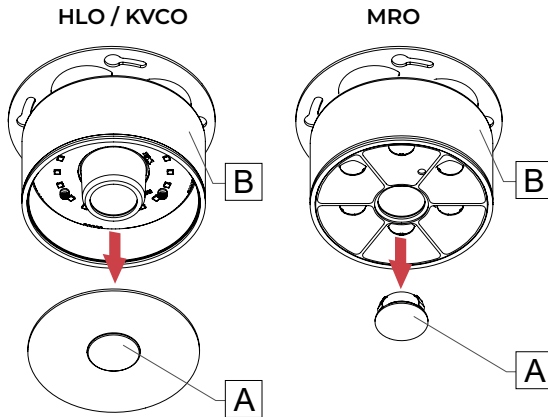


DIRECT MOUNT - CLUSTER PI S

1 REMOVE CENTER.

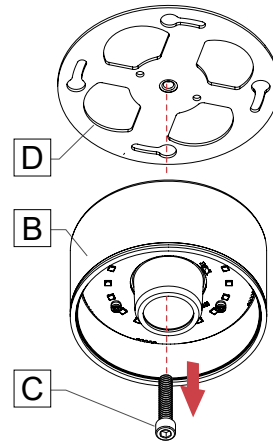
Remove center blank [A] from the fixture [B].

Note: For HLO and KVCO, lenses will come out with it. Keep it in a safe place.



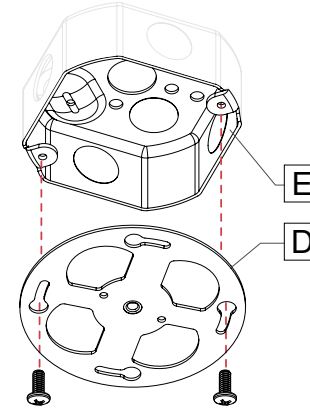
2 REMOVE SCREW.

Remove the hex screw [C] to detach the mounting plate [D] from the fixture [B].



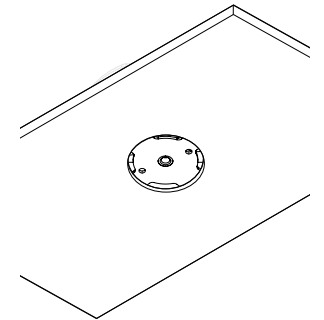
3 FIX THE MOUNTING PLATE.

Attach and secure the mounting plate [D] onto the junction box [E] with screws.



4 INSTALL CEILING.

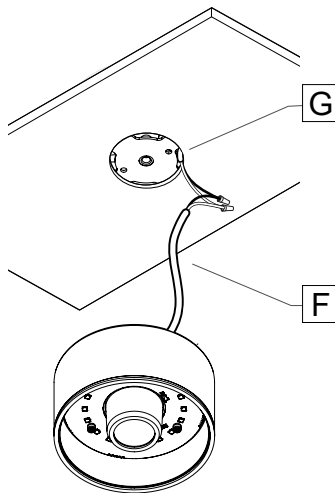
Install the drywall on the ceiling with a Ø 2.5" hole centered.



5 MAKE ELECTRICAL CONNECTIONS.

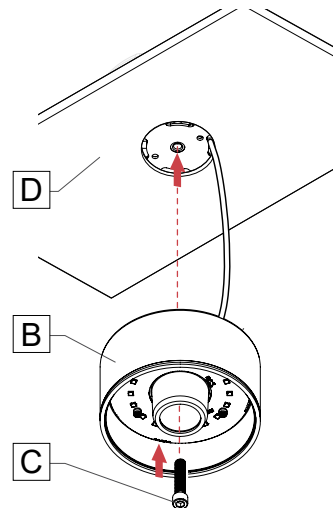
Make electrical connections between the fixture cable [F] and the main power [G] using wire nuts (by others).

Warning: A luminaire with more than one power supply connection means shall be connected to only one branch circuit.



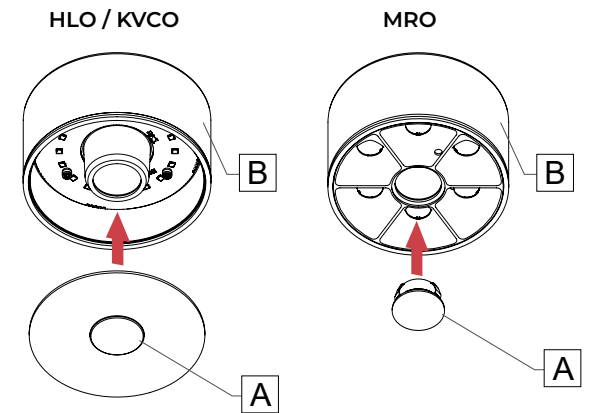
6 FIX THE FIXTURE.

Attach and secure the fixture [B] onto the mounting plate [D] with the provided hex screw [C].



7 REINSTALL THE CENTER.

Reinstall the center blank [A] onto the fixture [B].



CLUSTER PI

Surface

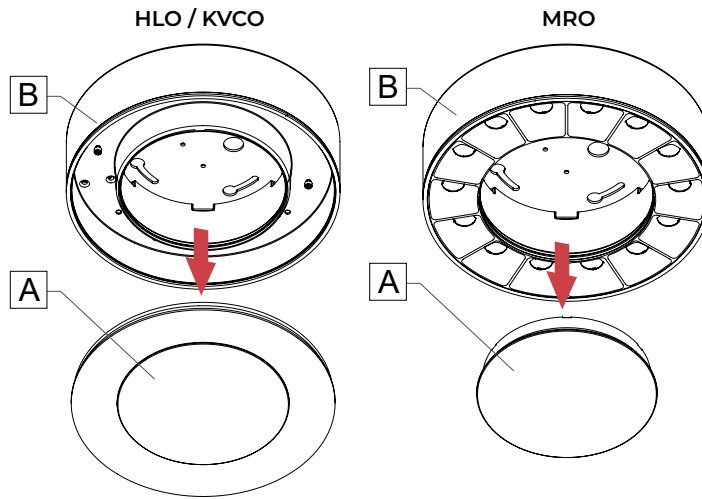


DIRECT MOUNT - CLUSTER PI M, CLUSTER PI L

1 REMOVE CENTER.

Remove center blank [A] from the fixture [B].

Note: For HLO and KVCO, lenses will come out with it. Keep it in a safe place.

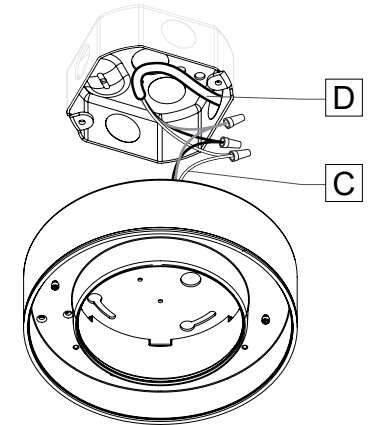


2 MAKE ELECTRICAL CONNECTIONS.

Make electrical connections between the fixture cable [C] and the main power [D] using wire nuts (by others).

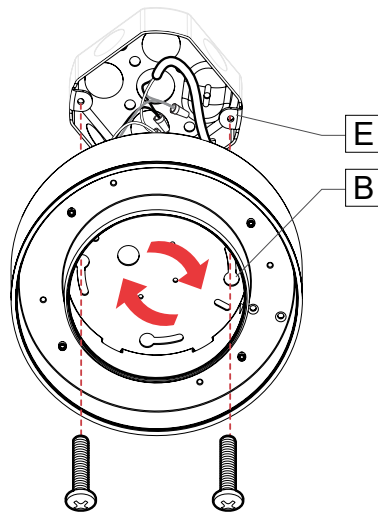
Note: Number of wires may vary.

Warning: A luminaire with more than one power supply connection means shall be connected to only one branch circuit.



3 FIX THE FIXTURE.

Attach and secure the fixture [B] onto the junction box [E] with j-box screws.



4 INSTALL CENTER.

Reinstall the center blank [A] onto the fixture [B].

