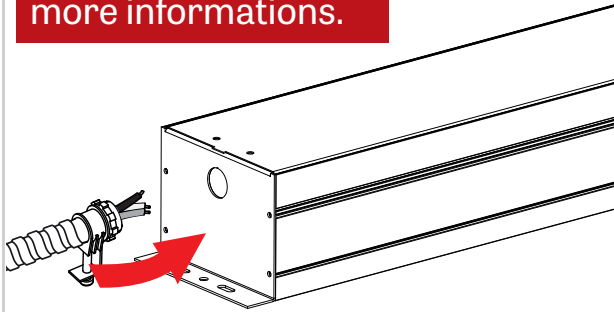


IMPORTANT : Installation instruction applies to all surface mounting with J-Box

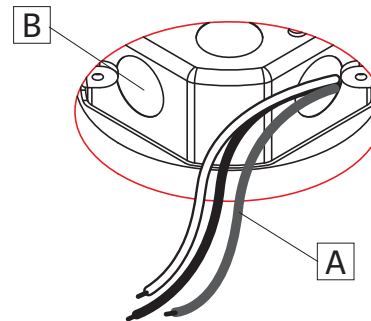
NOTE: Wire dimming conductors as Class 1

1 REMOTE DRIVER BOX

Please refer to the remote driver installation sheet for more informations.

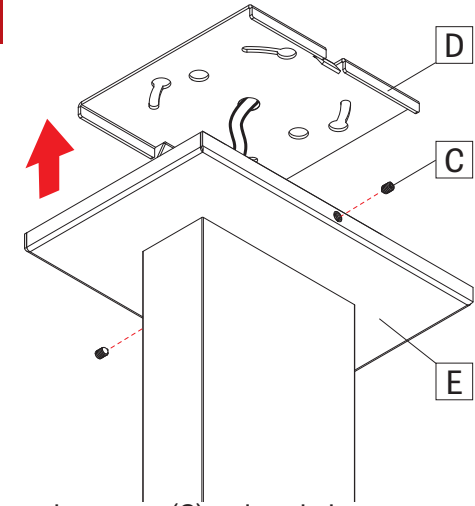


2 INTEGRAL DRIVER



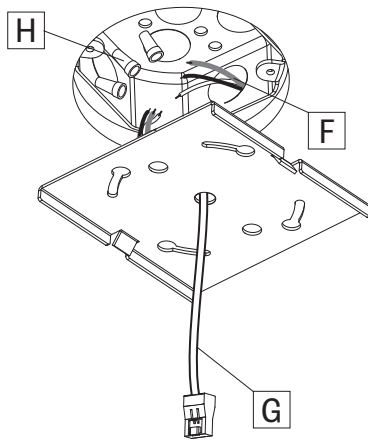
Pull the cables(A) through to the junction box(B).

3



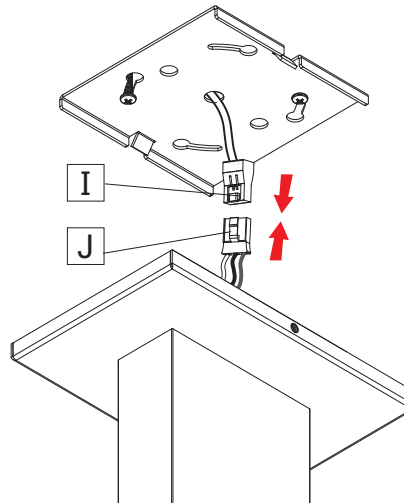
Loosen the screws(C) to detach the canopy plate(D) from the canopy(E). Disconnect the quick connector.

4



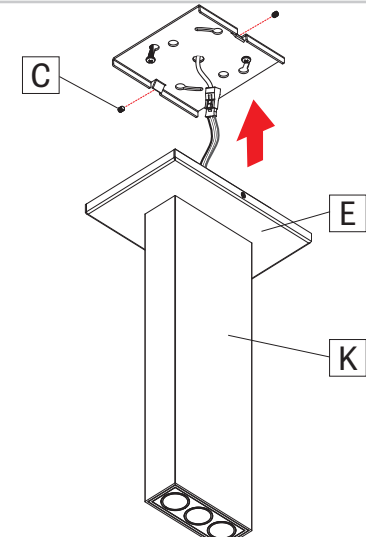
Make the connection between the plenum cables (F) and the fixture cable (G) with the marettes(H).
Number of wires may vary.

5



Connect the quick connector(I) and the fixture quick connector (J)

6



Secure the fixture(K) onto the canopy(E) with the screws(C).