

CUE 1.5"

ROUND PINHOLE RECESSED



Cue 1.5" is a pinhole downlight offering precise beam control and extremely low glare on a dedicated housing platform. Interchangeable optics sized to the aperture provide multiple beam angles and optical accessory options. This luminaire features below-ceiling tilt and full 360° rotation for accurate aiming and on-site adjustment, delivering targeted accent lighting with minimal ceiling presence.

Beam Angles



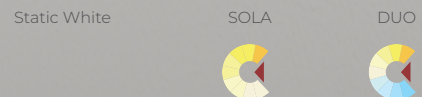
Low UGR < 5 in all beams

Performance

LUMEN OUTPUT	WATTS	EFFICACY
1015 lm	10 W	102 lm/W
1219 lm	12 W	102 lm/W
1422 lm	14 W	102 lm/W
1625 lm	16 W	102 lm/W

Based on 3500K, 90+ CRI, and 50° beam.

Light Source



Cue Collection Brochure



CUE 1.5"

ROUND PINHOLE RECESSED



Project: _____

 Type: _____

Order Guide

For SOLA Dim-to-Warm and DUO Tunable White order guide, see page 3.

1 - Housing

LUMINAIRE ID ¹	TRIM STYLE	LIGHT SOURCE	INSTALLATION TYPE	MOUNTING OPTION ⁴
CUE15RR		SW		
CUE15RR - Cue 1.5" Round Pinhole Recessed ¹ 0.5" and 1" also available. Consult other spec sheet.	TRM - Flanged trim TRMP - Flush flanged trim drywall mudplate TRMW - Flush flanged trim millwork	SW ² - Static white ² 2-step.	OF - Open Frame Type Non-IC IC ³ - Type-IC RM - Remodel Type Non-IC CP ³ - Chicago Plenum Type-IC (CCEA) AT ³ - Airtight Type-IC ³ Only available with 10 W or less.	ASB ⁵ - Adjustable standard bar hangers FMB ⁵ - Flush mount bars ACB ⁵ - Adjustable commercial bar hangers AHC ⁵ - Adjustable hat channel bars NA - No bar hangers ⁴ See page 6 for more details. ⁵ Not available with RM installation type.

VOLTAGE	WATTAGE	DIMMING	
120V - 120V 277V - 277V UNV - 120V-277V 347V ⁶ - 347V ⁶ Available with RD1 driver only. Please consult factory.	10W - 10 W output, up to 1015 lm 12W ⁷ - 12 W output, up to 1219 lm 14W ⁷ - 14 W output, up to 1422 lm 16W ^{7,8} - 16 W output, up to 1625 lm ⁷ Not available with IC/CP/AT. ⁸ Not available with 10°/15° beam options.	INTEGRAL DI - 1% 0-10V ELV ⁹ - ELV 120V TRI ⁹ - TRIAC 120V DA ¹⁰ - DALI ELD1 - eldoLED 1% ECOdrive 0-10V ELDO - eldoLED 0.1% SOLOdrive 0-10V ⁹ Available with 120V only. ¹⁰ On-site commissioning is required.	REMOTE ¹¹ RD1 - 1% 0-10V RELV ¹² - ELV 120V RTRI ¹² - TRIAC 120V RLDE1 ¹³ - Lutron Hi-lume 1% Eco RDA ¹³ - DALI RELD1 - eldoLED 1% ECOdrive 0-10V RELD0 - eldoLED 0.1% SOLOdrive 0-10V +EB ¹⁴ - Emergency battery ¹¹ A remote driver box is provided. ¹² Available with 120V only. ¹³ On-site commissioning is required. ¹⁴ To specify, add +EB to the selected dimming option, e.g. RD1+EB.

2 - Light

LUMINAIRE ID	TRIM STYLE Specify same as Housing	TRIM FINISH	LIGHT SOURCE	WATTAGE Specify same as Housing	BEAM
CUE15RRL			SW		
CUE15RRL - Cue 1.5" Round Pinhole Recessed	TRM - Flanged trim TRMP - Flush flanged trim drywall mudplate TRMW - Flush flanged trim millwork	FTMW - Matte white FTMB - Matte black FSPC - Satin silver FSSPC - Matte silver FCHP - Champagne FDBZ - Dark bronze FPF - Primer finish CF# - Custom finish, specify RAL# <u>Premium colors</u> FBS - Brushed brass FCP - Brushed copper FBCH - Brushed champagne	SW ¹⁵ - Static white ¹⁵ 2-step.	10W - 10 W output, up to 1015 lm 12W ¹⁶ - 12 W output, up to 1219 lm 14W ¹⁶ - 14 W output, up to 1422 lm 16W ^{16,17} - 16 W output, up to 1625 lm ¹⁶ Not available with IC/CP/AT. ¹⁷ Not available with 10°/15° beam options.	10DEG - 10° Very narrow spot 15DEG - 15° Narrow spot 25DEG - 25° Spot 35DEG - 35° Narrow flood 50DEG - 50° Wide flood

ACCESSORY ¹⁸ At light element	CRI	COLOR TEMPERATURE
LSDL - Soft diffused lens, Solite HEX ¹⁹ - Hex louver NA - None ¹⁸ See page 8 for details. ¹⁹ Not available with 16 W.	80CRI - 80+ CRI 90CRI - 90+ CRI 95CRI - 95+ CRI	22K ²⁰ - 2200K 24K ²⁰ - 2400K 27K - 2700K 30K - 3000K 35K - 3500K 40K - 4000K 50K ²⁰ - 5000K ²⁰ Not available with 95+ CRI.



CUE 1.5"

ROUND PINHOLE RECESSED



Project: _____

Type: _____

Order Guide - SOLA Dim-to-Warm and DUO Tunable White

For static white order guide, see page 2.

1 - Housing

LUMINAIRE ID ¹	TRIM STYLE	LIGHT SOURCE	INSTALLATION TYPE	MOUNTING OPTION ⁴
CUE15RR				
CUE15RR - Cue 1.5" Round Pinhole Recessed ¹ 0.5" and 1" also available. Consult other spec sheet.	TRM - Flanged trim TRMP - Flush flanged trim drywall mudplate TRMW - Flush flanged trim millwork	SOLA ² - Dim-to-warm single channel control DUO ² - Tunable white 2-channel control ² 3-step.	OF - Open Frame Type Non-IC IC ³ - Type-IC RM - Remodel Type Non-IC CP ³ - Chicago Plenum Type-IC (CCEA) AT ³ - Airtight Type-IC PMP - Pre-mount plate Type Non-IC ³ Only available with 10 W or less.	ASB ⁵ - Adjustable standard bar hangers FMB ⁵ - Flush mount bars ACB ⁵ - Adjustable commercial bar hangers AHC ⁵ - Adjustable hat channel bars NA - No bar hangers ⁴ See page 6 for more details. ⁵ Not available with RM installation type.

VOLTAGE	WATTAGE	DIMMING	
120V - 120V 277V - 277V UNV - 120V-277V	<u>SOLA</u> 10W - 10 W output, up to 630 lm 14W ⁶ - 14 W output, up to 882 lm <u>DUO</u> 10W - 10 W output, up to 558 lm 12W ⁶ - 12 W output, up to 669 lm 14W ⁶ - 14 W output, up to 781 lm ⁶ Not available with IC/CP/AT.	INTEGRAL <u>SOLA</u> SD1 - Single 0-10V input SELV ⁷ - ELV 120V STRI ⁷ - TRIAC 120V SDA ⁸ - DALI SELDT1 - eldoLED 1% ECOdrive 0-10V SELDO - eldoLED 0.1% SOLOdrive 0-10V <u>DUO</u> DD1 - Dual 0-10V input for CCT/intensity ⁷ Available with 120V only. ⁸ On-site commissioning is required.	REMOTE ⁹ <u>SOLA</u> RSD1 - Single 0-10V input RSELV ¹⁰ - ELV 120V RSTRI ¹⁰ - TRIAC 120V <u>DUO</u> RDMX ¹¹ - DMX RDDA ¹¹ - DALI DT6 RDDA8 ¹¹ - DALI DT8 RDD1 - Dual 0-10V input for CCT/intensity RLD2 ¹¹ - Lutron DALI-2 digital +EB ¹² - Emergency battery ⁹ A remote driver box is provided. ¹⁰ Available with 120V only. ¹¹ On-site commissioning is required. ¹² To specify, add +EB to the selected dimming option, e.g. RSD1+EB.

2 - Light

LUMINAIRE ID	TRIM STYLE	TRIM FINISH	LIGHT SOURCE	WATTAGE	BEAM
	Specify same as Housing		Specify same as Housing	Specify same as Housing	
CUE15RRL					
CUE15RRL - Cue 1.5" Round Pinhole Recessed	TRM - Flanged trim TRMP - Flush flanged trim drywall mudplate TRMW - Flush flanged trim millwork	FTMW - Matte white FTMB - Matte black FSPC - Satin silver FSSPC - Matte silver FCHP - Champagne FDBZ - Dark bronze FPF - Primer finish CF# - Custom finish, specify RAL# <u>Premium colors</u> FBS - Brushed brass FCP - Brushed copper FBCH - Brushed champagne	SOLA ¹³ - Dim-to-warm single channel control DUO ¹³ - Tunable white 2-channel control ¹³ 3-step.	<u>SOLA</u> 10W - 10 W output, up to 630 lm 14W ¹⁴ - 14 W output, up to 882 lm <u>DUO</u> 10W - 10 W output, up to 558 lm 12W ¹⁴ - 12 W output, up to 669 lm 14W ¹⁴ - 14 W output, up to 781 lm ¹⁴ Not available with IC/CP/AT.	15DEG - 15° Narrow spot 25DEG - 25° Spot 35DEG - 35° Narrow flood 50DEG - 50° Wide flood

ACCESSORY ¹⁵	CRI	COLOR TEMPERATURE
At light element		
	90CRI	
LSDL - Soft diffused lens, Solite NA - None ¹⁵ See page 8 for details.	90CRI - 90+ CRI	<u>SOLA</u> 30K18K - 3000K to 1800K 27K18K - 2700K to 1800K <u>DUO</u> 65K27K - 6500K to 2700K 50K27K - 5000K to 2700K



CUE 1.5"

ROUND PINHOLE RECESSED



Accessories & Replacement Parts

Order separately.



CUE15-10DEG¹ - 10° Very narrow spot

CUE15-15DEG - 15° Narrow spot

CUE15-25DEG - 25° Spot

CUE15-35DEG - 35° Narrow flood

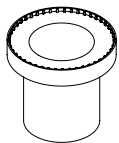
CUE15-50DEG - 50° Wide flood



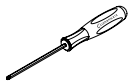
CUE15-LSDL - Soft diffused lens, Solite



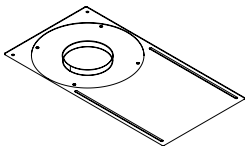
CUE15-HEX¹ - Hex louver



CUE15-ARTL - Accessory holder removal tool



CUE15-TITL - Tilt adjustment tool



CUE15-PMP² - Pre-mounting plate

¹Not available with SOLA/DUO.

²Only available with RM installation type.

CUE 1.5"

ROUND PINHOLE RECESSED



Housing Dimensions

Installation types *

<p>OF - Open Frame Type Non-IC</p> <ul style="list-style-type: none"> • Minimum plenum height: 4 1/2" • Clearance between sides of luminaire and parts of building must be 1/2" minimum; clearance to insulating materials to be 3" minimum 	<p>IC - Type-IC</p> <ul style="list-style-type: none"> • Minimum plenum height: 4 1/8" • No setback from insulation required 	<p>CP - Chicago Plenum Type-IC (CCEA) AT - Airtight Type-IC</p> <ul style="list-style-type: none"> • Minimum plenum height: 6 7/8" • No setback from insulation required
<p>RM - Remodel Type Non-IC</p> <p>Integral</p> <ul style="list-style-type: none"> • Minimum plenum height: 4 1/2" • Clearance between sides of luminaire and parts of building must be 1/2" minimum; clearance to insulating materials to be 3" minimum 	<p>RM - Remodel Type Non-IC</p> <p>Remote</p> <ul style="list-style-type: none"> • Minimum plenum height: 4 1/2" • Clearance between sides of luminaire and parts of building must be 1/2" minimum; clearance to insulating materials to be 3" minimum 	<p>RM + PMP - Remodel Type Non-IC + Pre-mounting plate</p> <ul style="list-style-type: none"> • Minimum plenum height: 4 1/2" • Clearance between sides of luminaire and parts of building must be 1/2" minimum; clearance to insulating materials to be 3" minimum

* Bar hangers are not shown in the drawing.

CUE 1.5"

ROUND PINHOLE RECESSED



Mounting Options

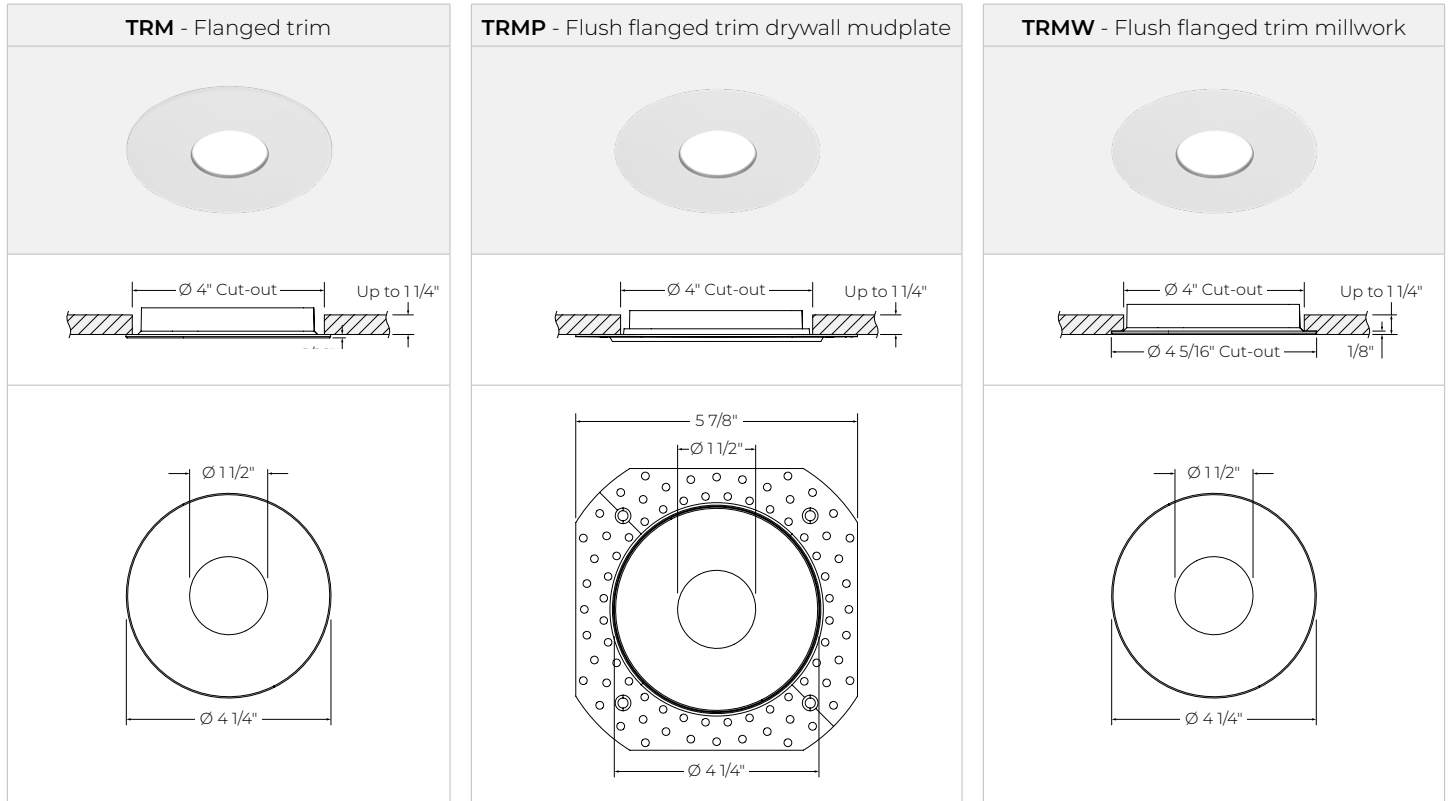
ASB - Adjustable Standard Bar Hangers	
	<ul style="list-style-type: none"> • Use in commercial and residential applications. • Suitable for grid ceiling and drywall mounting. • Adjustable to various heights. • Joist spacing: 14" to 24".
FMB - Flush Mount Bars	
	<ul style="list-style-type: none"> • Use in residential applications. • Suitable for wood, metal, and drywall mounting. • Joist spacing: 14" to 24".
ACB - Adjustable Commercial Bar Hangers	
	<ul style="list-style-type: none"> • Use in commercial and residential applications. • Suitable for grid ceiling, drywall, metal, wood, and frame mounting. • Adjustable to various heights. • Fits into C-channel notches in a butterfly bracket. • Joist spacing: 16" to 24". Extensions to 36" and 48" available, consult factory. • T-bar spacing: 24"
AHC - Adjustable Hat Channel Bars	
	<ul style="list-style-type: none"> • Use in commercial and residential applications. • Suitable for wood ceiling and drywall mounting. • Adjustable to various heights. • Fits into C-channel notches in a butterfly bracket. • Hat channel spacing: 24" and 36".

CUE 1.5"

ROUND PINHOLE RECESSED



Trim Details

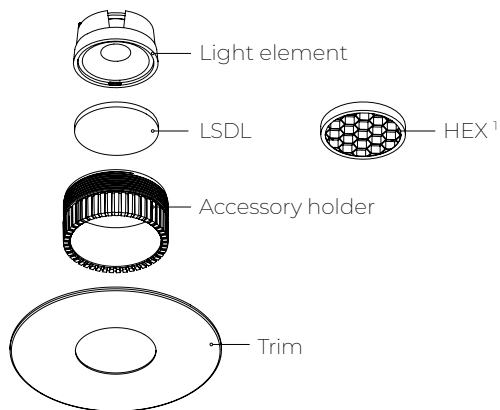


CUE 1.5"

ROUND PINHOLE RECESSED

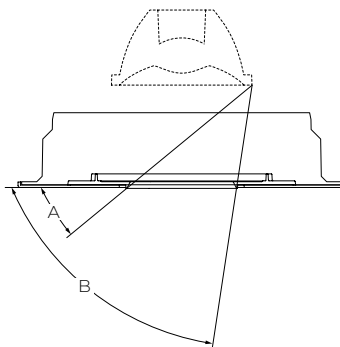


Accessories



¹Not available with SOLA/DUO.

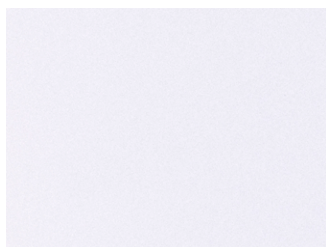
Cut-off & Shielding Angles



A Cut-off angle	B Shielding angle
39.44°	81.38°

Finishes

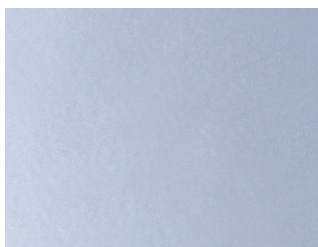
STANDARD



FTMW - Matte white



FTMB - Matte black



FSPC - Satin silver



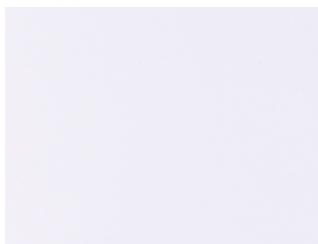
FSSPC - Matte silver



FCHP - Champagne

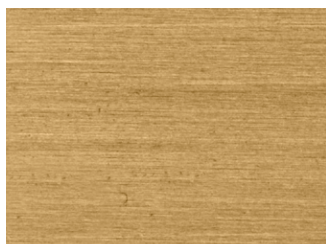


FDBZ - Dark bronze



FPF - Primer finish

PREMIUM



FBS - Brushed brass



FCP - Brushed copper



FBCH - Brushed champagne

Some colors may have longer lead time.

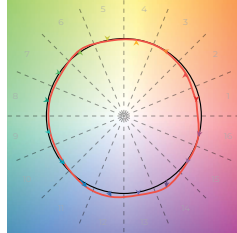
CUE 1.5"

ROUND PINHOLE RECESSED

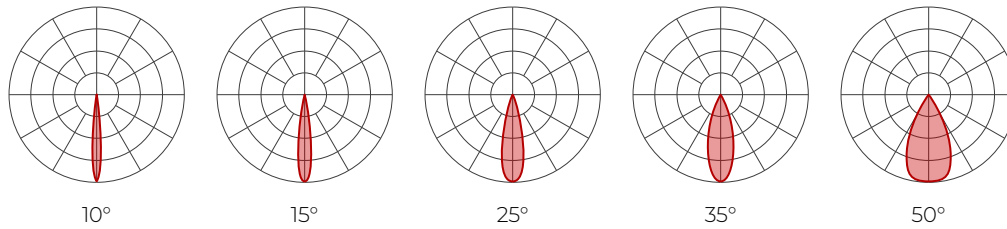


Color Quality

COLOR QUALITY - 3500K	
TM-30 R _r	90
TM-30 R _g	100
CRI	90+
R9	> 50



Photometrics



STATIC WHITE

Values calculated based on 3500K and 90+ CRI.

BEAM	10°		15°		25°		35°		50°	
WATTAGE	lm	lm/W	lm	lm/W	lm	lm/W	lm	lm/W	lm	lm/W
10 W	499	50	835	84	941	94	862	86	1015	102
12 W	599	50	1002	84	1129	94	1035	86	1219	102
14 W	699	50	1169	84	1318	94	1207	86	1422	102
16 W	NA	NA	NA	NA	1506	94	1379	86	1625	102

MULTIPLIERS

Please follow the multiplier tables to ensure correct lumen value. CCT, CRI, and accessories will change the lumen value.

CCT		CRI		ACCESSORIES At light element	
2200K	0.80	80+ CRI	1	LSDL - Soft diffused lens, Solite	1
2400K	0.87	90+ CRI	1	HEX - Hex louver	0.86
2700K	0.94	95+ CRI	0.87		
3000K	0.98				
3500K	1				
4000K	1.05				
5000K	1.05				

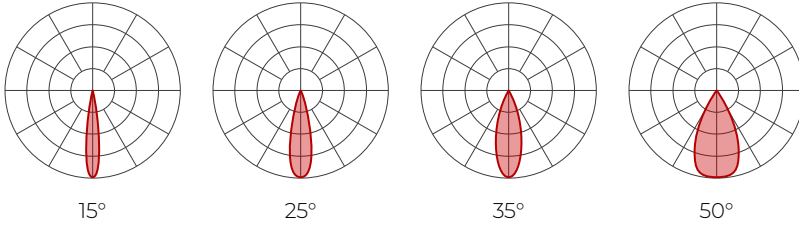


CUE 1.5"

ROUND PINHOLE RECESSED



Photometrics



SOLA

Values calculated at high end CCT.

BEAM	15°		25°		35°		50°	
WATTAGE	lm	lm/W	lm	lm/W	lm	lm/W	lm	lm/W
10 W	469	47	605	61	630	63	512	51
14 W	657	47	847	61	882	63	717	51

DUO

Values calculated at high end CCT.

BEAM	15°		25°		35°		50°	
WATTAGE	lm	lm/W	lm	lm/W	lm	lm/W	lm	lm/W
10 W	422	42	533	53	558	56	456	46
12 W	506	42	639	53	669	56	548	46
14 W	591	42	746	53	781	56	639	46

MULTIPLIERS

Please follow the multiplier tables to ensure correct lumen value. CCT will change the lumen value.

CCT	Multiplier
2200K	0.80
2400K	0.87
2700K	0.94
3000K	0.98
3500K	1
4000K	1.05
5000K	1.05

ACCESSORY	Multiplier
At light element	
LSDL - Soft diffused lens, Solite	1

CUE 1.5"

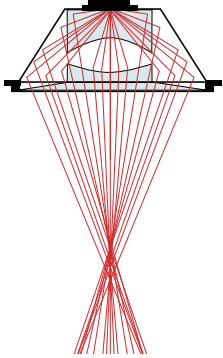
ROUND PINHOLE RECESSED



Technical Specifications

OPTIC

XPoint™ Refraction Technology optics provide precise optical control in a remarkably compact form. Micro optical paths from the chip on board converge and then disperse in precise beam angles, resulting in a crisp and exacting light quality.



LIGHT SOURCE

Static white

Compact COB (Chip-On-Board) LED module, available in 2200K, 2400K, 2700K, 3000K, 3500K, 4000K, and 5000K with a choice of 80+ CRI, 90+ CRI, or 95+ CRI, with elevated R9 value for 90+ CRI and above. Color consistency is maintained to within 2 SDCM. All LEDs have been tested in accordance with IESNA LM-80-08 and the results have shown L80 lumen maintenance greater than 60,000 hours. Absolute product photometry is measured and presented in accordance with IESNA LM-79, unless otherwise indicated.

Chromawerx SOLA

Chromawerx SOLA is single-channel control that dims output while warming the color temperature in a pre-determined relationship. Two color temperature range options are offered: 3000K to 1800K, and 2700K to 1800K. A simple analog control adjusts a specially populated LED array to emulate the effect of dimming a filament source.

Chromawerx DUO

Chromawerx DUO offers a two-channel control system which uses analog or digital protocols for synchronous control of both cool to warm LED arrays - maintaining a CRI above 90. Two color temperature range options are offered: 6500K to 2700K, and 5000K to 2700K. The range of color DUO offers is useful for entraining circadian rhythms, stimulating alertness, and compensating for jet lag among other applications. The Chromawerx drivers are programmed to limit maximum light output and power usage across all color temperatures. When paired with DALI drivers (DDA/DDA8), color tuning follows a linear dimming curve.

ELECTRICAL

Unless otherwise specified, dimming down to 1%. At maximum driver load: efficiency>84%, PF>0.9, THD<20%.

ELV and TRIAC dimming performance (including minimum dimming percentage) subject to dimmer selection.

Integral: 0-10V, ELV, TRIAC, eldoLED 0.1% SOLOdrive 0-10V, eldoLED 1% ECOdrive 0-10V

Remote: 0-10V, ELV, TRIAC, Lutron Hi-Lume 1% EcoSystem, DALI, eldoLED 0.1% SOLOdrive 0-10V, eldoLED 1% ECOdrive 0-10V, DMX, Lutron DALI-2 digital

Emergency battery options: Remotely-installed, long-life, high-temperature, maintenance-free, Bodine Lithium-Ion battery pack with self-test functionality, test switch and charge indicator. IOTA and Fulham options available upon request. Minimum of 90 minutes operation, and recharge time of 24 hours. For fixtures less than 10 W, the battery provides 6 W of emergency light output. For fixtures 10 W and over, the battery provides 10 W.

PoE

Depending on the PoE manufacturer selected, Lumenwerx will install the node in factory as either integral to the luminaire or as a remote module. Factory programming of the PoE node may or may not enable the following functionalities: lumen package, DUO (tunable white), QUADRO (RGBW), emergency battery backup, and sensor integration. These must be addressed and evaluated on a case-by-case basis.

CONSTRUCTION

Housing

For new construction, 20 gauge galvanized steel. Open frame, type-IC, or Chicago Plenum (CCEA) rated. 18 gauge galvanized steel junction box with ½" trade size knockouts. Adjustable standard, flush mount, adjustable commercial, and adjustable hat channel bar hangers are available as mounting options.

Light element

LED module: Integral COB module. 90+ CRI and 2 SDCM, Standard with options of 80+ CRI, or 95+ CRI. L80 > 60,000 hours.

XPoint™ Refraction Technology optic: Micro optical paths from the chip on board converge and then disperse in precise beam angles, resulting in a crisp and exacting light quality.

Thermal management: Die-cast aluminum heat sink to maximize thermal dissipation.

Baffle: Die-cast aluminum mounted with retaining spring clips

Trim style: Trimmed and flushed trim with mudplate or millwork

Finish: Matte white, matte black, satin silver, matte silver, champagne, dark bronze, primer finish, and premium brushed metallic finishes. Custom colors also available (provide RAL #). For the primer finish option, fixture must be turned off and the lens masked before applying paint.

CUE 1.5"

ROUND PINHOLE RECESSED



WEIGHT

Open frame	3.44 lbs - 1.56 kg
Type-IC	4.63 lbs - 2.1 kg
Chicago Plenum, Airtight	4.85 lbs - 2.2 kg
Remodel	2.27 lbs - 1.03 kg
Pre-mount plate	2.12 lbs - 0.96 kg

ACCESSORIES



Soft diffused lens, Solite



Hex louver

ENVIRONMENT

Ambient temperature at fixture location shall be within 0°C/32°F - 25°C/77°F, indoor dry or damp as well as outdoor damp use (canopies or marquees).

CERTIFICATIONS

ETL: Rated for indoor dry/damp locations. Conforms to UL Standard 1598 and certified to CAN/CSA Standard C22.2 No. 250.0.

Chicago Plenum: City of Chicago approved (CCEA) when specified with CP installation type option.

IC rated: Suitable for direct contact with insulation when specified with IC, CP or AT installation type options.

WARRANTY

Lumenwerx provides a five-year limited warranty on electrical and mechanical performance of the luminaires, including the LED boards, drivers, and auxiliary electronics. Lumenwerx will repair or replace defective luminaires or components at our discretion, provided they have been installed and operated in accordance with our specifications. Other limitations apply, please refer to the full warranty on our website.