




INSTALLATION INSTRUCTIONS

 This product must be installed in accordance with the National Electrical Code and all applicable local codes, by a person familiar with the construction and operation of the product, and the hazards involved. Proper grounding is required for safety.

Ce produit doit être installé suivant le code national de l'électricité, ainsi que tous les codes locaux applicables, par une personne familière avec la construction et le fonctionnement du produit, ainsi que tous les risques qui y sont associés. La mise à terre électrique est obligatoire pour la sécurité.

 Disconnect power before installation or servicing.


 Do not cover the light element lens or heatsink with any materials or adhesive tapes when the fixture is powered.

 Handle the LED cartridge carefully during removal and installation. Tools must not touch the LED chips. Contact may result in damage and LED failure.

 Wire dimming conductors as Class 1.

 A luminaire with more than one power supply connection means shall be connected to only one branch circuit.

 For luminaires specified as recessed, clearance between the sides of the luminaire and parts of the building must be 1/2" minimum; clearance to insulating materials to be 3" minimum, unless luminaire is IC rated.

 For luminaires installed in wet locations, properly seal all mounting and electrical points.

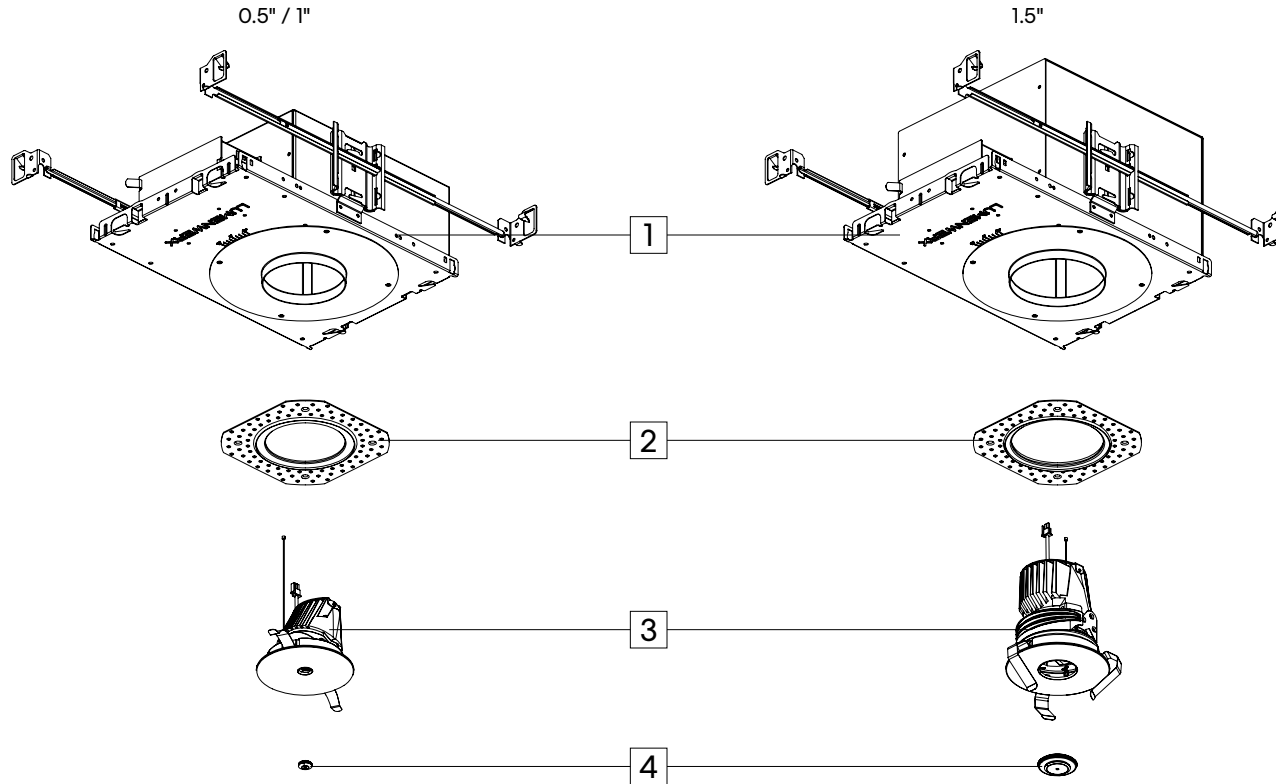
 Warranty claims will not be accepted if incorrect driver or light element is used.


CUE 0.5" / 1" / 1.5"

Pinhole Recessed - OF / IC / CP / AT




INSTALLATION INSTRUCTIONS




 For electrical connections, please refer to the [wiring diagram guide](#).



 For remote driver box installation instructions, please refer to the [remote driver installation sheet](#).



 Shown with Cue 0.5".
Applicable to Cue 1" and Cue 1.5".

INDEX

Overview - Installation types.....	P3
Bar Hanger Installation.....	P4
Electrical Connection.....	P4
Ceiling Preparation.....	P5
Installation Instructions.....	P6
Primer Paint Instructions - Before Light Element Installation.....	P7
Primer Paint Instructions - After Light Element Installation.....	P8

ITEMS LIST

1	Mounting frame
2	Mudplate (Flush flanged trim drywall mudplate only)
3	Light element
4	Paint plug

TOOLS REQUIRED

- Drywall knife or router
- Utility knife (for primer paint)



CUE 0.5" / 1" / 1.5"

Pinhole Recessed - OF / IC / CP / AT



OVERVIEW - INSTALLATION TYPES

OF - Open Frame Type Non-IC		IC - Type-IC	
0.5" and 1"	1.5"	0.5" and 1"	1.5"
<ul style="list-style-type: none"> Minimum plenum height: 4" Clearance between sides of luminaire and parts of building must be 1/2" minimum; clearance to insulating materials to be 3" minimum 		<ul style="list-style-type: none"> Minimum plenum height: 4 1/8" No setback from insulation required 	
CP - Chicago Plenum Type-IC (CCEA) AT - Airtight Type-IC			
0.5", 1" and 1.5"			
<ul style="list-style-type: none"> Minimum plenum height: 6 7/8" No setback from insulation required 			



CUE 0.5" / 1" / 1.5"

Pinhole Recessed - OF / IC / CP / AT



BAR HANGER INSTALLATION

Install the housing by referring to the installation instructions in the [downlight mounting option guide](#).

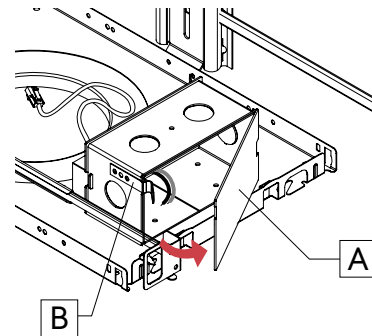


ELECTRICAL CONNECTION

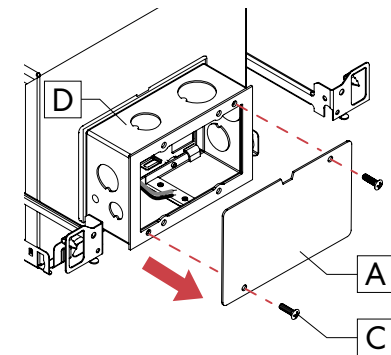
1 UNSNAP COVER.

Unsnap the cover [A] from the hook [B] and pivot the cover. For Chicago Plenum, remove screws [C] to access the electrical box [D].

OPEN FRAME / TYPE-IC



CHICAGO PLENUM / AIRTIGHT TYPE-IC



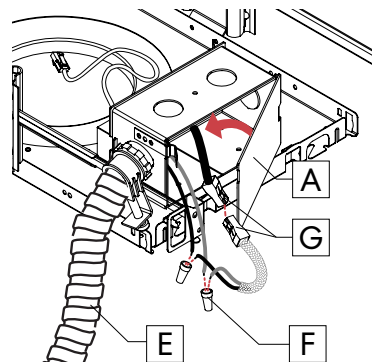
2 MAKE ELECTRICAL CONNECTIONS.

Install the main power cable [E] to knockout and make electrical connections between the main power cable [E] and the quick connect cable with wire nuts [F] (by others).

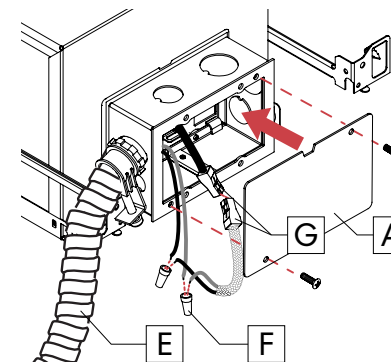
Connect the main power to the driver using the quick connectors [G].

Snap or screw the cover [A] back in place.

OPEN FRAME / TYPE-IC



CHICAGO PLENUM / AIRTIGHT TYPE-IC



CUE 0.5" / 1" / 1.5"

Pinhole Recessed - OF / IC / CP / AT



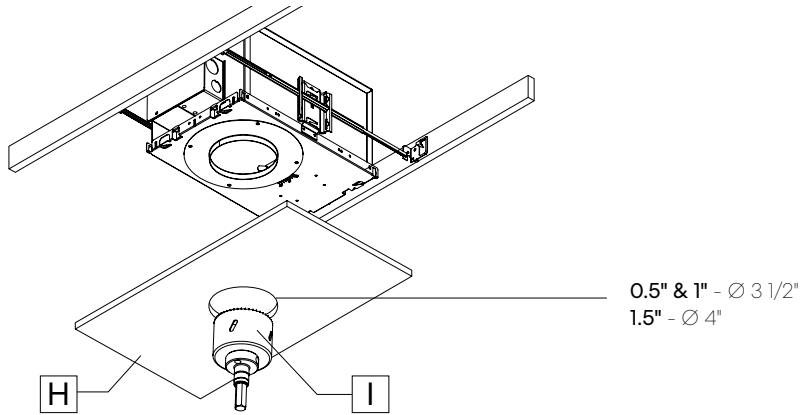
CEILING PREPARATION

1 CEILING CUT-OUT.

DRYWALL CEILING AND GRID CEILING (TRM & TRMP)

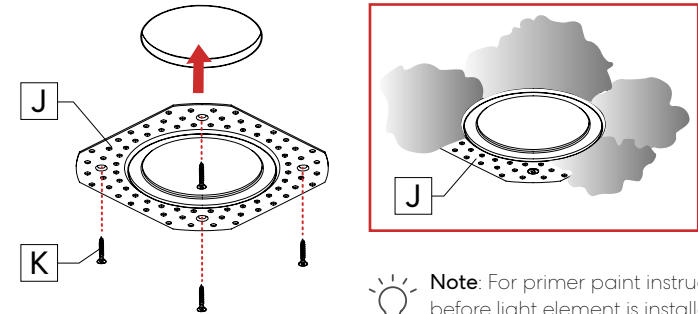
Cut opening in drywall ceiling [H] with drywall knife [I], hole saw, or router.


Cut opening in grid ceiling tile with utility knife, hole saw, or router.



FLUSH FLANGED TRIM DRYWALL MUDPLATE (TRMP)

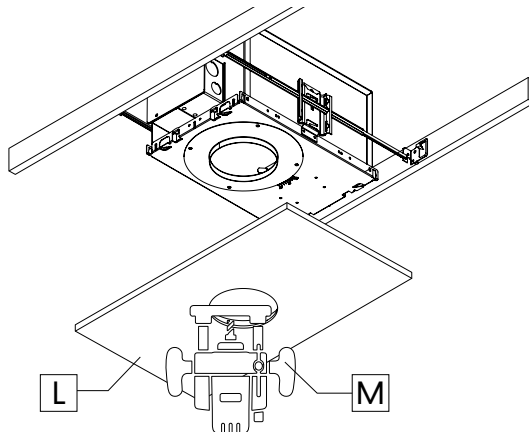
Attach the mudplate [J] and fix with drywall screws [K] (by others) onto the ceiling. Plaster and sand over the mudplate [J].



 **Note:** For primer paint instructions before light element is installed, see [page 7](#).

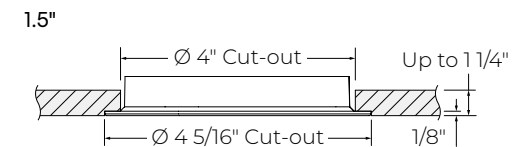
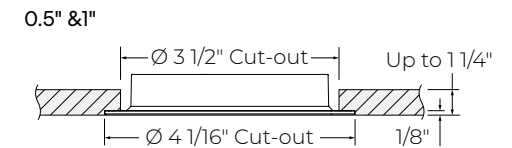
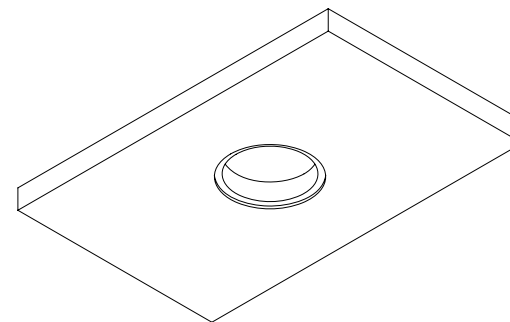
MILLWORK CEILING (TRMW)

Cut opening in wood ceiling [L] with router [M].



Follow the section views for dimensions based on size.

Note: The baffle opening is cut-through, but the trim opening is a step-hole that is located on the ceiling.



CUE 0.5" / 1" / 1.5"

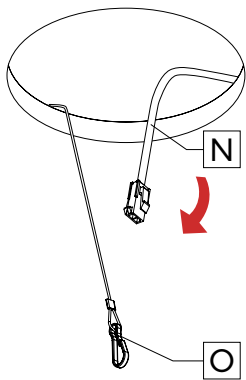
Pinhole Recessed - OF / IC / CP / AT



INSTALLATION INSTRUCTIONS

1 LOWER ARMoured CABLE.

Bring down the quick connect [N] and the safety cable [O] from the ceiling opening.

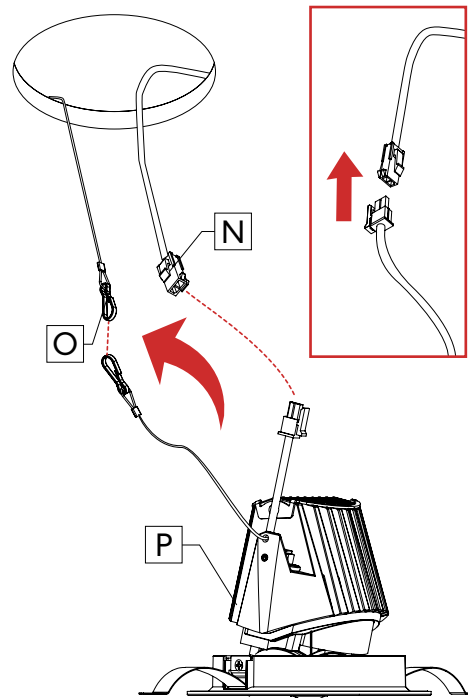


2 CONNECT LIGHT ELEMENT.

Bring the light element [P] closer to the ceiling.

Connect the light element [P] to the driver in housing with quick connectors [N].

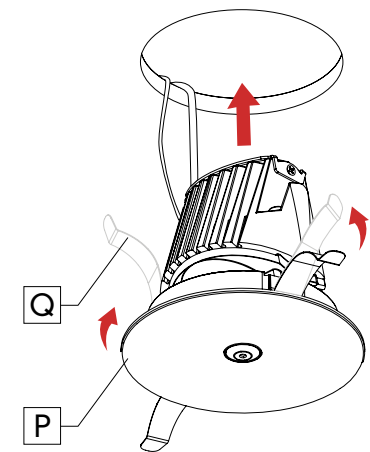
Attach the safety cable [O] from the housing to the light element [P].




3 INSERT LIGHT ELEMENT INTO CEILING.

Squeeze spring clips [Q] upwards onto the light element [P].

Insert the light element [P] into the ceiling until spring clips [Q] snap back above the ceiling.



 **Note:** For primer paint instructions after light element is installed, see [page 8](#).

CUE 0.5" / 1" / 1.5"

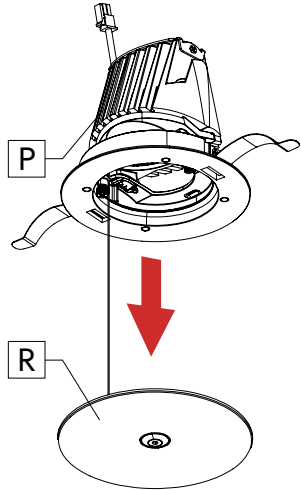
Pinhole Recessed - OF / IC / CP / AT



PRIMER PAINT INSTRUCTIONS - BEFORE LIGHT ELEMENT INSTALLATION

1 REMOVE TRIM.

Before installation, detach the trim [R] from the light element [P].

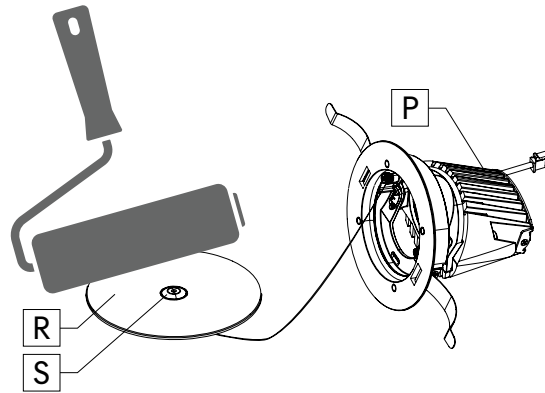


2 PAINT TRIM.

Put the trim [R] on a flat surface.

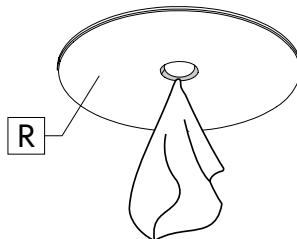
Paint the trim [R] with the paint plug [S].

Note: Make sure to protect the light element [P] when painting the trim.



4 CLEAN UP.

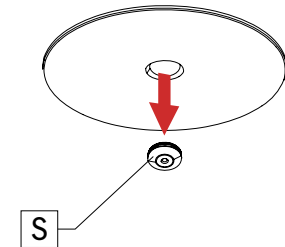
With a towel, clean up any paint that could be visible on the black gasket inside the trim [R].



3 REMOVE PAINT PLUG.

Remove the paint plug [S] carefully. The use of a utility knife might be necessary.

Warning: Never open the light with paint plug installed.



5 INSTALL LIGHT ELEMENT.

Go back to **Step 1** of the installation instructions.

CUE 0.5" / 1" / 1.5"

Pinhole Recessed - OF / IC / CP / AT



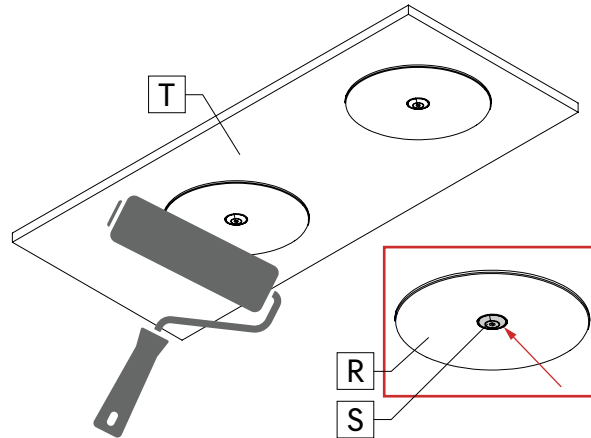
PRIMER PAINT INSTRUCTIONS - AFTER LIGHT ELEMENT INSTALLATION

1 PAINT TRIM.

Once the light element is installed in the ceiling, secure the paint plug [S] in place.

Paint over the ceiling [T] and the trim [R].

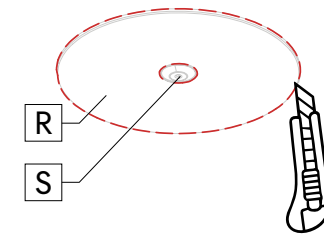
Warning: Do not paint over the trim if the paint plugs are not installed.



2 CUT PAINT.

With a utility knife, cut the paint around the trim [R] and around the paint plug [S] carefully.

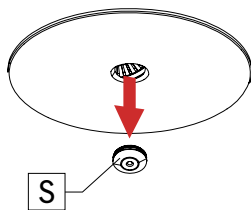
Note: Do this step with care, otherwise the paint on the ceiling could get damaged.



3 REMOVE PAINT PLUG.

Remove the paint plug [S] carefully.

Warning: Never light the fixtures with the paint plug installed.



4 CLEAN UP.

With a towel, clean up any paint that could be visible on the black gasket inside the trim [R].

