

CURVIA MINI

Pendant - Remote Driver Box (RDB) - Single Canopy

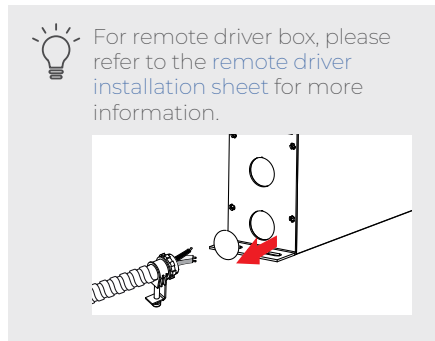
LUMENWERX

! This product must be installed in accordance with the National Electrical Code and all applicable local codes, by a person familiar with the construction and operation of the product, and the hazards involved. Proper grounding is required for safety.

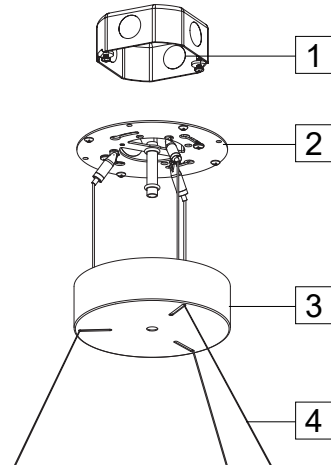
Ce produit doit être installé suivant le code national de l'électricité, ainsi que tous les codes locaux applicables, par une personne familière avec la construction et le fonctionnement du produit, ainsi que tous les risques qui y sont associés. La mise à terre électrique est obligatoire pour la sécurité.

- !** Wire dimming conductors as Class 1.
- !** Certain steps shown with POC apply to AC too.
- !** For electrical connections, follow the wiring diagrams on page 3 according to specified drivers in product configuration.

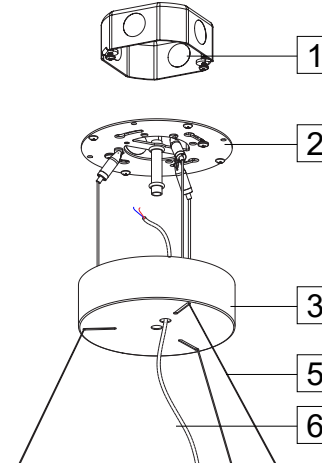
OVERVIEW



POC - Power-over-aircraft cable



AC - Power cable + aircraft cable

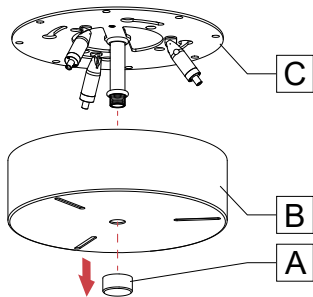


Items list

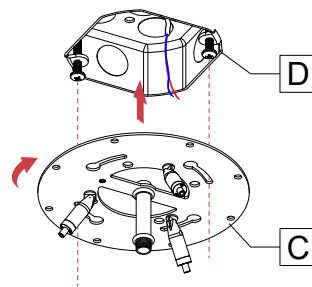
1	Standard J-box (by others)
2	Mounting plate
3	Canopy
4	Power-over-aircraft cable
5	Aircraft cable
6	Power cord

1 PREPARE CEILING.

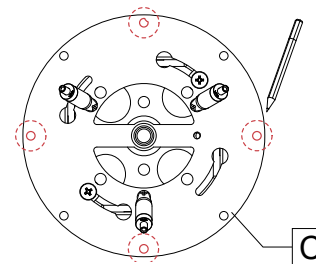
Loosen the decorative nut [A] on the canopy [B]. Separate the canopy [B] from the mounting plate [C].



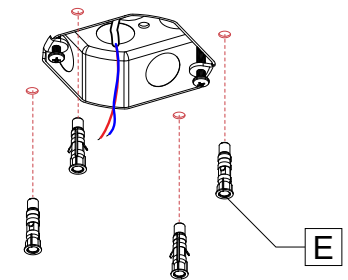
Fix the mounting plate [C] on the junction box (by others) [D].



Use the mounting plate [C] as a model to mark 4 holes.



Remove the mounting plate. Drill holes (1/4" diameter) following the red marks. Install #8 screw anchors [E].



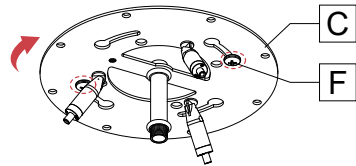
CURVIA MINI

Pendant - Remote Driver Box (RDB) - Single Canopy

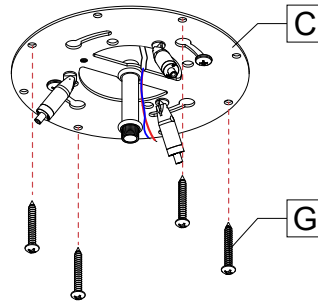
LUMENWERX

2 FIX MOUNTING PLATE TO CEILING.

Tighten the two screws [F] to secure the mounting plate [C] to the junction box.



Use #8 screws [G] to fasten the mounting plate [C] to the ceiling.



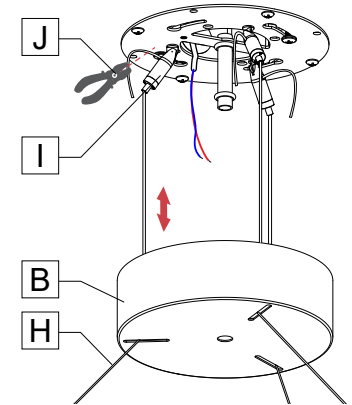
3 INSTALL AIRCRAFT CABLES.

Pass all aircraft cables [H] through the canopy [B]. Insert them into the griplocks [I]. Adjust the cables by pushing the feeder tube [J].

Cut the excess cables with an aircraft cable cutter [J].

Notes: Height adjustment of the fixture must be done at this step.

For the POC (power-over-aircraft cable) option, leave a length of 1.5" to make the connection inside the junction box.



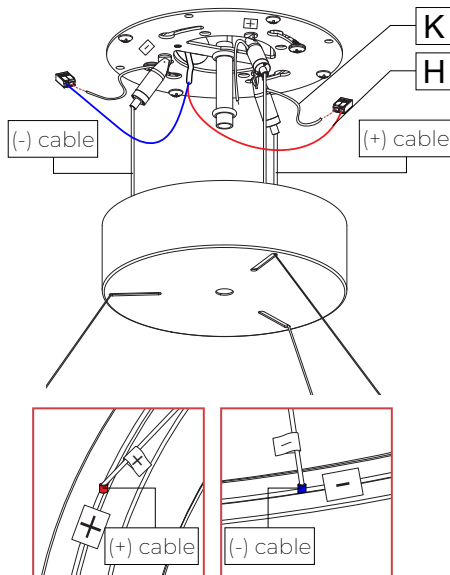
4 MAKE ELECTRICAL CONNECTIONS.

Warning: A luminaire with more than one power supply connection means shall be connected to only one branch circuit.

POC - Power-over-aircraft cable

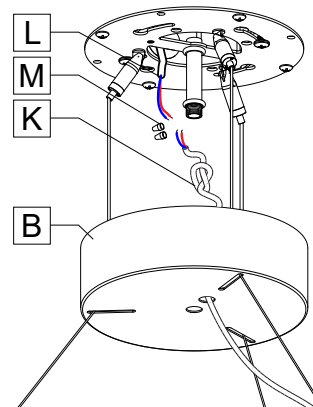
Make electrical connections between POC (power-over-aircraft cable) [H] and the remote driver feed [K].

Notes: Make sure that you are connecting the negative (-) POC (as mark on the fixture with blue color and a label) to your negative wire and the positive (+) POC (as mark on the fixture with red color and a label) to your positive wire.



AC - Power cable + aircraft cable

Pass the power cord [K] into the canopy [B] and make a knot. Make electrical connections between the power cord [K] and the remote driver feed [L] with wire nuts [M] (by others).

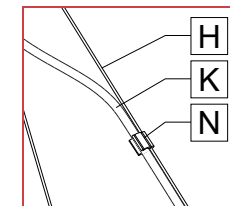
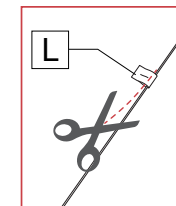
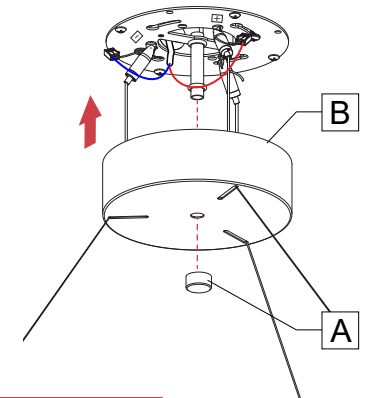


5 REINSTALL CANOPY.

Put the canopy [B] back in place and fix using the decorative nut [A].

POC: Cut the labels [L] off the wires.

AC: Secure the power cord [K] to the aircraft cable [H] with plastic clip [N].



CURVIA MINI

Pendant - Remote Driver Box (RDB) - Single Canopy

LUMENWERX

WIRING DIAGRAMS (1 Circuit)

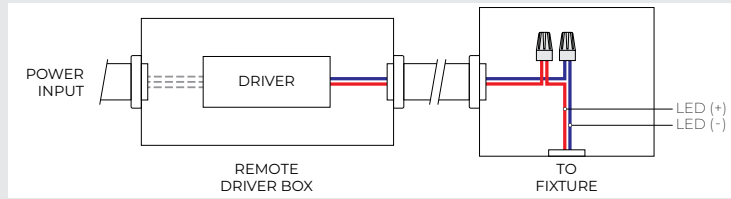
For electrical connections, follow the wiring diagrams according to specified drivers in product configuration.

REMOTE DRIVER - STATIC WHITE

RED	LED (+)
BLUE	LED (-)

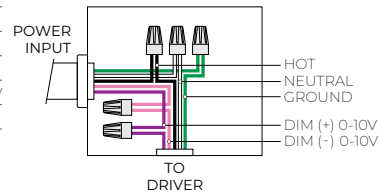
Note:
For remote driver wiring in the remote driver box (RDB), refer to the applicable driver wiring.

For max wire distance from driver, please check our website: WWW.LUMENWERX.COM



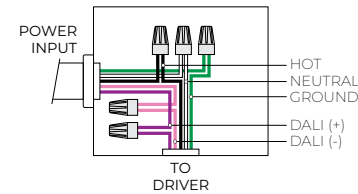
RD1 / RELD1 / RELOD0

BLACK	HOT
WHITE	NEUTRAL
GREEN	GROUND
PURPLE	DIM (+) 0-10V
PINK or GRAY	DIM (-) 0-10V



RDA

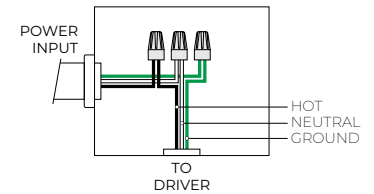
BLACK	HOT
WHITE	NEUTRAL
GREEN	GROUND
PURPLE	DALI (+)
PINK or GRAY	DALI (-)



RLTEA2W

BLACK	HOT
WHITE	NEUTRAL
GREEN	GROUND

Note:
120V max input voltage



RLDE1

BLACK	HOT
WHITE	NEUTRAL
GREEN	GROUND
PURPLE	E1 TO ECOSYSTEM
PINK or GRAY	E2 DIGITAL LINK

