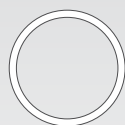
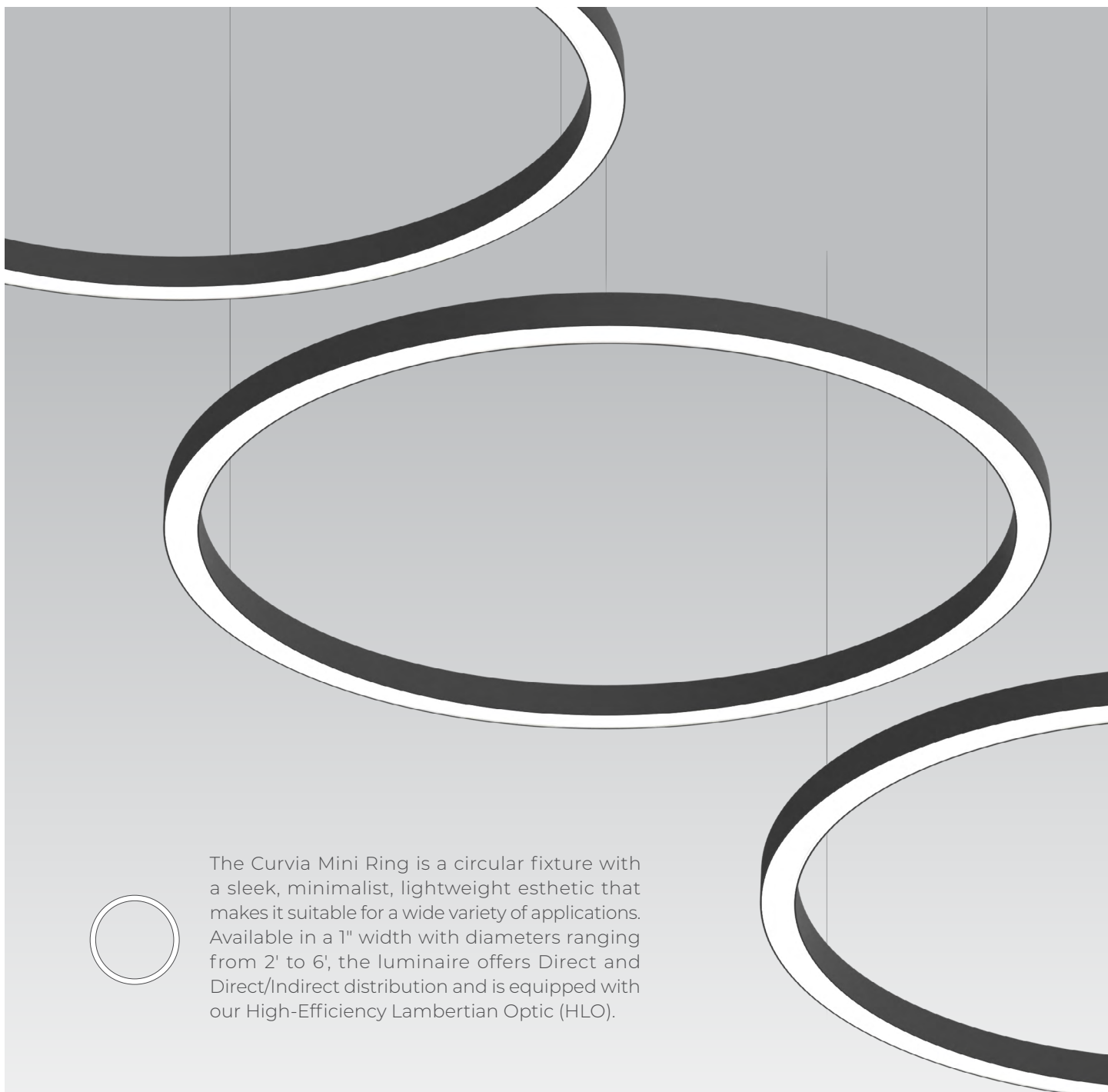


CURVIA MINI

RING
PENDANT - SURFACE

LUMENWERX



The Curvia Mini Ring is a circular fixture with a sleek, minimalist, lightweight esthetic that makes it suitable for a wide variety of applications. Available in a 1" width with diameters ranging from 2' to 6', the luminaire offers Direct and Direct/Indirect distribution and is equipped with our High-Efficiency Lambertian Optic (HLO).

Curvia Family (Refer to other spec sheets)

Curvia Mini



Ring
1"

Curvia 2 Prism



Ring
2"



Shapes
Square / Rectangle / Capsule
2"



Pattern
2"

Curvia 2, 3, 4



Ring
2' / 3' / 4'



Shapes
Square / Rectangle / Capsule
2' / 3' / 4'



Pattern
2' / 3' / 4'

SENSORS
For latest
information
on sensors,
click [here](#).



CURVIA MINI

RING

PENDANT - SURFACE

LUMENWERX



Project: _____

Type: _____

Order Guide

FOR PRODUCTION: Please provide field measurements in CAD. Lumenwerx does not perform these on-site measurements. Lumenwerx accepts no responsibility if field conditions do not match CAD drawings.

LUMINAIRE ID	DISTRIBUTION	SIZE	DIRECT OPTIC	INDIRECT OPTIC Specify NA for Direct fixture	LIGHT SOURCE ²	CRI
			HLO		SW	90
CURVMRIP - Curvia Mini Ring Pendant CURVMRIS - Curvia Mini Ring Surface	DI ¹ - Direct/Indirect D - Direct ¹ Available for Pendant mounting only.	2 - Ø 2ft 3 - Ø 3ft 4 - Ø 4ft 5 - Ø 5ft 6 - Ø 6ft	HLO - High-Efficiency Lambertian Optic	HLO - High-Efficiency Lambertian Optic NA - Not applicable	SW - Static white ² Chromawerx Sola, Duo and Quadro also available. Consult factory.	90 - 90 CRI

DIRECT LUMEN PACKAGE	INDIRECT LUMEN PACKAGE Specify NA for Direct fixture	COLOR TEMPERATURE	VOLTAGE ³	DRIVER ⁴	ELECTRICAL ⁸
350 - Eco low output 350 lm/ft 500 - Low output 500 lm/ft 750 - Medium output 750 lm/ft	350 - Eco low output 350 lm/ft 500 - Low output 500 lm/ft 750 - Medium output 750 lm/ft NA - Not applicable	27 - 2700K 30 - 3000K 35 - 3500K 40 - 4000K	120 - 120V 277 - 277V UNV - 120V-277V 347 ³ - 347V ³ Only available with RD1 driver.	<u>REMOTE</u> RD1 - 1% 0-10V RDA ⁵ - DALI RLTEA2W ⁶ - Lutron 1% - 2 wire FP120V RLDE1 ⁵ - Lutron Hi-Lume 1% Eco RELD1 - eldoLED 1% ECOdrive 0-10V RELD0 - eldoLED 0.1% SOLOdrive 0-10V +EB ⁷ - Emergency battery ⁴ PoE (Power-over-Ethernet) compatible. Consult factory for details. ⁵ On-site commissioning is required. ⁶ Available with 120V only. ⁷ For emergency battery, code will be like the following example: RD1 + EB.	1C - 1 circuit 2C ⁹ - 2 circuits ⁸ For other circuit configurations consult factory. ⁹ Available for Direct/Indirect only. Separate direct and indirect circuits.

MOUNTING				FINISH	
PENDANT				SURFACE	
POWER	CANOPY FINISH	MOUNTING POINTS	MOUNTING LENGTH ¹²		DRC - Drywall ceiling
POC - Integrated suspension power-over-aircraft cable BAC - Black power cord + aircraft cable WAC - White power cord + aircraft cable	W - White AL - Aluminum B - Black CF - Custom finish, specify RAL#	SC ¹⁰ - Single canopy MC ¹¹ - Multiple canopies ¹⁰ Available up to Ø 4ft only. ¹¹ 3 Canopies for all sizes.	18IN - 18" 24IN - 24" 36IN - 36" 48IN - 48" 60IN - 60"	72IN - 72" 96IN - 96" 120IN - 120" ##IN - Specify nominal length in inches	W - Matte white AL - Aluminum B - Matte black CF# - Custom finish, specify RAL#
¹² For single canopy option the minimum required mounting heights are (distance from ceiling to top of fixture in inches): Ø 2ft - min 15" Ø 3ft - min. 22" Ø 4ft - min. 29".					

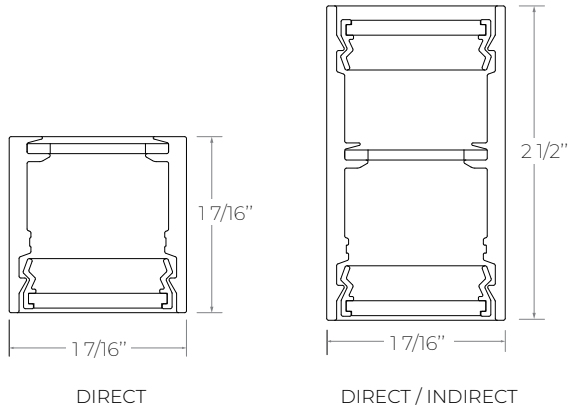
CURVIA MINI

RING

PENDANT - SURFACE

LUMENWERX

Section View



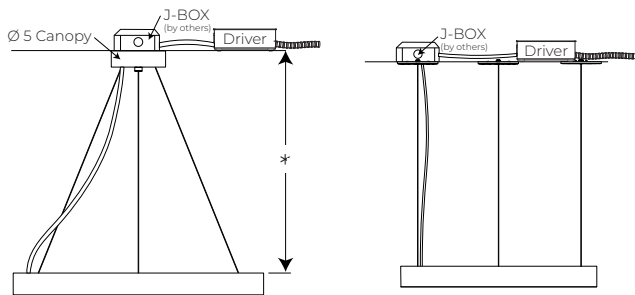
Mounting Options

PENDANT

REMOTE DRIVER

SC - SINGLE CANOPY

MC - MULTIPLE CANOPY



For single canopy option, the minimum required mounting heights:

Size	* Minimum height
Ø 2ft	min 15"
Ø 3ft	min 22"
Ø 4ft	min 29"

CURVIA MINI

RING

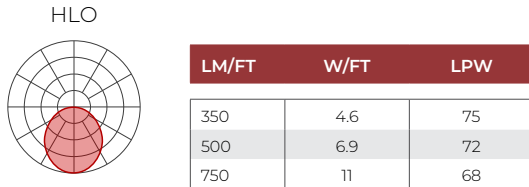
PENDANT - SURFACE

LUMENWERX

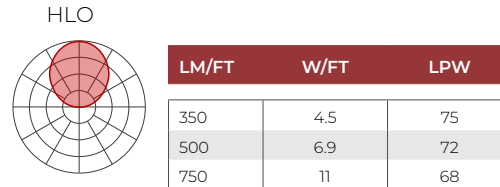
Photometrics

Values calculated based on Curvia Mini Ring ø2 ft at 35K and 90 CRI for all optics.

DIRECT OPTICS



INDIRECT OPTICS



MULTIPLIER TABLES

Use these tables to get results for different color temperatures and CRI for all Direct and Indirect photometric tables.

Multiplier - CCT/CRI

CCT (K)	Watts CRI90	LPW CRI90
2700	1.26	0.79
3000	1.23	0.81
3500	1.20	0.84
4000	1.17	0.85

DIRECT/INDIRECT - LPW CALCULATION EXAMPLE

For Direct/Indirect performance values, follow the below formula.

$$\frac{\left(\begin{array}{c} \text{DIRECT} \\ \text{TOTAL LM/FT} \end{array} + \begin{array}{c} \text{INDIRECT} \\ \text{TOTAL LM/FT} \end{array} \right)}{\left(\begin{array}{c} \text{DIRECT} \\ \text{INPUT WATTS} \end{array} + \begin{array}{c} \text{INDIRECT} \\ \text{INPUT WATTS} \end{array} \right)} = \text{LPW}$$

CURVIA MINI

RING

PENDANT - SURFACE

LUMENWERX

Technical Specifications

OPTICS

High-Efficiency Lambertian Optic (HLO)

The High-Efficiency Lambertian Optic (HLO) uses matte white reflectors to distribute LED output across 0.075" acrylic shielding, providing up to 88% transmission and good obscuration. HLO has a spacing criterion of 1.12.

LIGHT SOURCE

Custom array of mid-flux LEDs are cartridge-mounted with quick-connect wiring to facilitate service and thermal management. Available in 2700K, 3000K, 3500K and 4000K with a minimum 80 CRI and an option for 90 CRI with elevated R9 value. Color consistency maintained to within 3 SDCM. LEDs operate at reduced drive current to optimize efficacy and lumen maintenance. All LEDs have been tested in accordance with IESNA LM-80-08 and the results have shown L80 lumen maintenance greater than 60,000 hours. Absolute product photometry is measured and presented in accordance with IESNA LM-79, unless otherwise indicated.

ELECTRICAL

Factory-set, adjustable output current LED driver with universal (120-277VAC) input. Dimmable from 100% to 1% with 0-10V dimming control. Rated life (90% survivorship) of 50,000 hours at 50°C max. ambient (and 70°C max. case) temperature. At maximum driver load: Efficiency > 84%, PF > 0.9, THD < 20%. Other specifiable options include Lutron Hi-Lume 1% (specify 2-wire, or Ecosystem Dim-to-Off), eldoLED 1% ECOdrive 0-10V, eldoLED 0.1% SOLOdrive 0-10V, and DALI protocol drivers. All of our standard 0-10V drivers are NEMA 410 compliant.

PoE

Depending on the PoE manufacturer selected, Lumenwerx will install the node in factory as either integral to the luminaire or as a remote module. Factory programming of the PoE node may or may not enable the following functionalities: lumen package, emergency battery backup, and sensor integration. These must be addressed and evaluated on a case-by-case basis.

Battery

Factory installed long life, high temperature, maintenance-free Lithium-Ion battery pack with self-test functionality, test switch and charge indicator. Minimum of 90 minutes operation, up to 1000 lumens per 4' (25°C) emergency lighting output and recharge time of 24 hours.

MOUNTING OPTION

Pendant

Pendant fixtures can be mounted either with aircraft cable or with stem.

Surface

Fixtures can be mounted directly to drywall and hard surface ceilings, hardware supplied by others. A minimum distance of 6" from the vertical wall is required.

Recessed

Recessed fixtures can be mounted in drywall ceilings with trim or mud flange options.

FINISH

Interior - 95%, reflective matte powder coated white paint.

Exterior - Matte white, matte black or aluminum powder coating. Custom finishes are also available.

CONSTRUCTION

Housing - Extruded aluminum and aluminum sheet, up to 90% recycled content

Reflectors - Aluminum

HLO - Acrylic and polycarbonate

Hanger - Chromed griplock securely attached with spring steel hardware in end caps and/or joiners

Aircraft cable suspension - 7x7 braids aluminum aircraft cable 0.06" thick

Stem - 0.5" diameter threaded steel tube matte white or aluminum powder coating. Custom finishes are also available.

WEIGHT

Direct/Indirect	Direct
Ø 2ft - 5.9 lb (2.7 kg)	Ø 2ft - 4.9 lb (2.2 kg)
Ø 3ft - 8.9 lb (4 kg)	Ø 3ft - 7.3 lb (3.3 kg)
Ø 4ft - 11.8 lb (5.4 kg)	Ø 4ft - 9.7 lb (4.4 kg)
Ø 5ft - 14.8 lb (6.7 kg)	Ø 5ft - 12.1 lb (5.5 kg)
Ø 6ft - 17.8 lb (8 kg)	Ø 6ft - 14.6 lb (6.6 kg)

CERTIFICATIONS

ETL - Rated for Indoor dry/damp locations. Conforms to UL Standard 1598 and certified to CAN/CSA Standard C22.2 No. 250.0.

IC rated - Suitable for direct contact with insulation. For Recessed mounting only.

WARRANTY

Lumenwerx provides a five-year limited warranty on electrical and mechanical performance of the luminaires, including the LED boards, drivers, and auxiliary electronics. Lumenwerx will repair or replace defective luminaires or components at our discretion, provided they have been installed and operated in accordance with our specifications. Other limitations apply, please refer to the full warranty on our website.