

CURVIA MINI

RING

PENDANT - RECESSED - SURFACE



Declare.



Our extensive Curvia family illuminates with elegant curvilinear shapes and patterns, enhancing spaces with a soft touch and a graceful sense of movement. Curvia Mini Ring luminaires are lightweight and available in 1" widths and diameters ranging from 2' to 6'.

SENSORS
For latest information on sensors, click [here](#).



Curvia Additions Brochure

Curvia Family (Refer to other spec sheets)

Curvia Mini	Curvia Slim	Curvia Slim Seal	Curvia Prism	Curvia	Curvia XYZ	Curvia Horizon	Curvia Perimeter	Curvia Seal Perimeter	Curvia Seal	Curvia Acoustix
1"	1", 2"	1", 2"	2"	2", 3", 4"	2", 3"	2", 3"	2", 3", 4", 5"	2", 3", 4"	2", 3", 4"	2"
Ring	Ring Shapes Pattern	Ring Shapes Pattern	Ring Shapes Pattern	Ring Shapes Pattern	Pattern	Ring Shapes	Pattern	Pattern	Ring Shapes Pattern	Ring Shapes Pattern

3737 Cote Vertu St-Laurent, Quebec, Canada H4R 2C9
T (514) 225-4304 F (514) 931-4862
www.lumenwerx.com



Lumenwerx reserves the right to modify product specifications without notification.
© Lumenwerx, ULC. All rights reserved.
CURVIA-MINI-SPEC-REV4 September 17, 2025

CURVIA MINI

RING

PENDANT - RECESSED - SURFACE



Project: _____

Type: _____

Order Guide

LUMINAIRE ID	DISTRIBUTION	SIZE	DIRECT OPTIC	INDIRECT OPTIC Specify NA for Direct fixture	LIGHT SOURCE ²	CRI
			HLO		SW	90CRI
CURVMRIP - Curvia Mini Ring Pendant CURVMRIR - Curvia Mini Ring Recessed CURVMRIS - Curvia Mini Ring Surface	DI ¹ - Direct/Indirect D - Direct ¹ Available for pendant mounting only.	2FT - Ø 2' 3FT - Ø 3' 4FT - Ø 4' 5FT - Ø 5' 6FT - Ø 6'	HLO - High-Efficiency Lambertian Optic	HLO - High-Efficiency Lambertian Optic NA - Not applicable	SW - Static white ² Chromawerx SOLA, DUO and QUADRO also available. Consult factory.	90CRI - 90+ CRI

DIRECT LUMEN PACKAGE ³	INDIRECT LUMEN PACKAGE ⁴ Specify NA for Direct fixture	COLOR TEMP.	VOLTAGE	DRIVER	ELECTRICAL ⁸
350LMF - Eco low output 350 lm/ft 500LMF - Low output 500 lm/ft 750LMF - Medium output 750 lm/ft ³ To calculate the total lumens, multiply the lumen package (lm/ft) by the circumference of the ring (diameter x π).	350LMF - Eco low output 350 lm/ft 500LMF - Low output 500 lm/ft 750LMF - Medium output 750 lm/ft NA - Not applicable ⁴ To calculate the total lumens, multiply the lumen package (lm/ft) by the circumference of the ring (diameter x π).	27K - 2700K 30K - 3000K 35K - 3500K 40K - 4000K	120V - 120V 277V - 277V UNV - 120V-277V 347V ⁵ - 347V ⁵ Available with RDI driver only.	<u>REMOTE</u> RDI - 1% 0-10V RELV ⁶ - ELV 120V RTRI ⁶ - TRIAC 120V RDA ⁷ - DALI RLDE1 ⁷ - Lutron Hi-Lume 1% Eco RELDI - eldoLED 1% ECOdrive 0-10V RELD0 - eldoLED 0.1% SOLOdrive 0-10V ⁶ Available with 120V only. ⁷ On-site commissioning is required.	1C - 1 circuit 2C ⁹ - 2 circuits ⁸ For other circuit configurations consult factory. ⁹ Available for Direct/Indirect only. Separate direct and indirect circuits.

MOUNTING ¹⁰				FINISH		
PENDANT				RECESSED	SURFACE	W - Matte white AL - Aluminum B - Matte black CF# - Custom finish, specify RAL#
MOUNTING TYPE	CANOPY FINISH	MOUNTING POINTS	MOUNTING LENGTH ¹³	DTR - Trim DMF - Drywall mud flange	DRC - Drywall ceiling	
POC ¹¹ - Power-over-aircraft cable BAC - Black power cord + aircraft cable WAC - White power cord + aircraft cable	W - Matte white AL - Aluminum B - Matte black CF - Custom finish, specify RAL#	SC - Single canopy MC ¹² - Multiple canopies	18IN - 18" 24IN - 24" 36IN - 36" 48IN - 48" 60IN - 60" 72IN - 72" 96IN - 96" 120IN - 120" ##IN - Specify nominal length in inches			

¹⁰The mounting options selected must reflect the luminaire ID.

¹¹Certain restrictions apply. See page 4 for more details.

¹²Ø 2', Ø 3', and Ø 4' have 4 canopies. Ø 5' and Ø 6' have 4-8 canopies, see page 4 for details.

¹³For single canopy option the minimum required mounting heights are (distance from ceiling to top of fixture in inches):
 Ø 2' - min 15" | Ø 3' - min. 22" | Ø 4' - min. 29" | Ø 5' - min. 36" | Ø 6' - min. 43".

CURVIA MINI

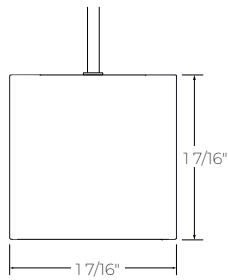
RING

PENDANT - RECESSED - SURFACE

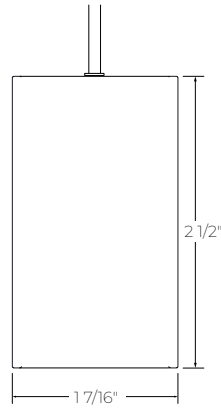


Dimensions

PENDANT

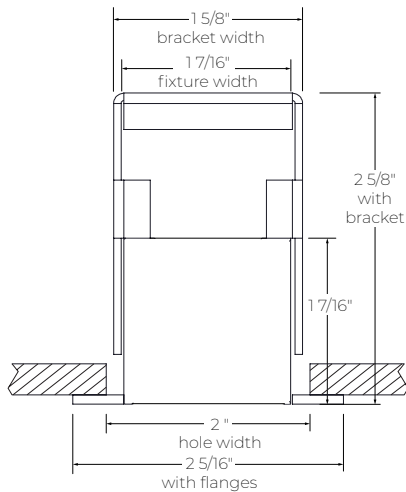


DIRECT

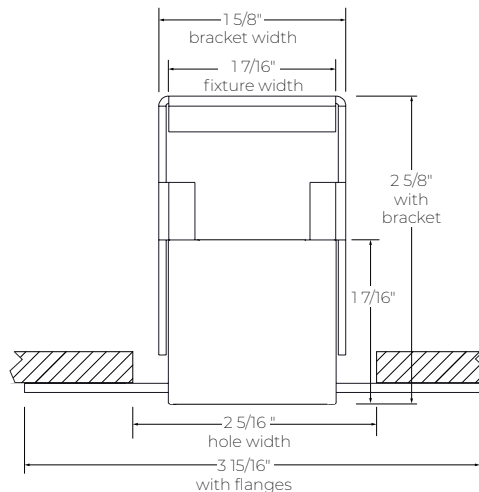


DIRECT / INDIRECT

RECESSED

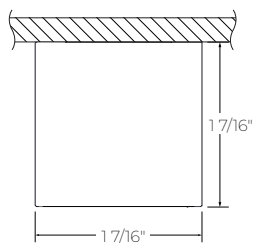


DTR - Trim



DMF - Drywall mud flange

SURFACE



DRC - Drywall ceiling

CURVIA MINI

RING

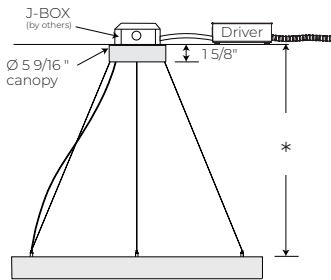
PENDANT - RECESSED - SURFACE



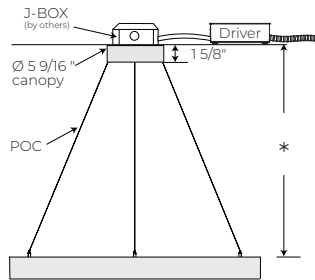
Mounting Options

PENDANT

REMOTE DRIVER



POWER CORD + AIRCRAFT CABLE
SC - SINGLE CANOPY



POWER-OVER-AIRCRAFT CABLE
SC - SINGLE CANOPY

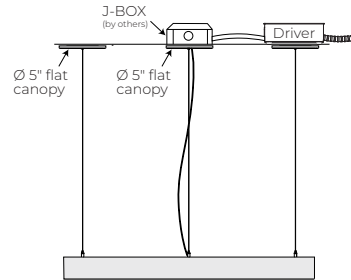
DIRECT

Available with all configurations except for a Ø 6' fixture at 750 lm/ft.

DIRECT/INDIRECT

Available only with the following configurations:

- Ø 2'
- Ø 3' at 350 lm/ft - 350 lm/ft
- Ø 3' at 500 lm/ft - 350 lm/ft
- Ø 3' at 350 lm/ft - 500 lm/ft
- Ø 3' at 500 lm/ft - 500 lm/ft
- Ø 4' at 350 lm/ft - 350 lm/ft



POWER CORD + AIRCRAFT CABLE
MC - MULTIPLE CANOPIES

DIRECT

4 canopies for all sizes.

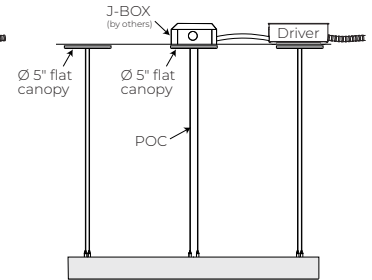
DIRECT/INDIRECT

4 canopies for Ø 2', Ø 3', Ø 4'

- 4 canopies for Ø 5' and Ø 6':
- 350LM - 350LM
- 350LM - 500LM
- 500LM - 350LM
- 500LM - 500LM

- 6 canopies for Ø 5' and Ø 6':
- 350LM - 750LM
- 500LM - 750LM
- 750LM - 350LM
- 750LM - 500LM

- 8 canopies for Ø 5' and Ø 6':
- 750LM - 750LM



POWER-OVER-AIRCRAFT CABLE
MC - MULTIPLE CANOPIES

DIRECT

4 canopies for all sizes.

DIRECT/INDIRECT

4 canopies for Ø 2', Ø 3', Ø 4'

- 4 canopies for Ø 5' and Ø 6':
- 350LM - 350LM
- 350LM - 500LM
- 500LM - 350LM
- 500LM - 500LM

- 6 canopies for Ø 5' and Ø 6':
- 350LM - 750LM
- 500LM - 750LM
- 750LM - 350LM
- 750LM - 500LM

- 8 canopies for Ø 5' and Ø 6':
- 750LM - 750LM

* For single canopy option, the minimum required mounting heights:
Ø 2' - min. 15" | Ø 3' - min. 22" | Ø 4' - min. 29" | Ø 5' - min. 36" | Ø 6' - min. 43"

CURVIA MINI

RING

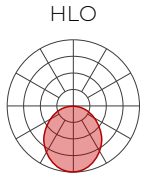
PENDANT - RECESSED - SURFACE



Photometrics

Values calculated based on Curvia Mini Ring Ø 2' at 3500K and 90+ CRI for all optics.

DIRECT OPTIC



LM/FT	W/FT	LM/W
350	4.6	75
500	6.9	72
750	11	68

INDIRECT OPTIC



LM/FT	W/FT	LM/W
350	4.5	75
500	6.9	72
750	11	68

MULTIPLIER TABLES

Use this table to get results for different color temperatures for all photometric tables.

CCT	WATTS 90+ CRI	LPW 90+ CRI
2700K	1.26	0.79
3000K	1.23	0.81
3500K	1.20	0.84
4000K	1.17	0.85

DIRECT/INDIRECT - LPW CALCULATION

For Direct/Indirect performance values, follow the formula.

$$\left(\frac{\text{DIRECT LM/FT} + \text{INDIRECT LM/FT}}{\text{DIRECT W/FT} + \text{INDIRECT W/FT}} \right) = \text{LPW}$$

CURVIA MINI

RING

PENDANT - RECESSED - SURFACE



Technical Specifications

OPTIC

High-Efficiency Lambertian Optic (HLO)

Lumenwerx's High-Efficiency Lambertian Optic is engineered with reflective sidewalls that distribute LED output across acrylic shielding. To negotiate the curves of Lumenwerx rounded fixtures, the HLO is equipped with proprietary SupremeGrip™ technology, which keeps the optic securely in place.

LIGHT SOURCE

Custom array of mid-flux LEDs are cartridge-mounted with quick-connect wiring to facilitate service and thermal management. Available in 2700K, 3000K, 3500K, and 4000K with 90+ CRI with elevated R9 value. Color consistency maintained to within 3 SDCM. LEDs operate at reduced drive current to optimize efficacy and lumen maintenance. All LEDs have been tested in accordance with IESNA LM-80-08 and the results have shown L80 lumen maintenance greater than 60,000 hours. Absolute product photometry is measured and presented in accordance with IESNA LM-79, unless otherwise indicated.

ELECTRICAL

Factory-set, adjustable output current LED driver with universal (120-277 VAC) input. Dimmable from 100% to 1% with 0-10V dimming control. Rated life (90% survivorship) of 50,000 hours at 50°C max. ambient (and 70°C max. case) temperature. At maximum driver load: Efficiency > 84%, PF > 0.9, THD < 20%. Other specifiable options include Lutron Hi-Lume 1% Eco, eldoLED 1% ECOdrive 0-10V, eldoLED 0.1% SOLOdrive 0-10V, ELV, TRIAC, and DALI protocol drivers. All of our standard 0-10V drivers are NEMA 410 compliant. ELV and TRIAC dimming performance (including minimum dimming percentage) subject to dimmer selection.

PoE

Depending on the PoE manufacturer selected, Lumenwerx will install the node in factory as either integral to the luminaire or as a remote module. Factory programming of the PoE node may or may not enable the following functionalities: lumen package, DUO (tunable white), QUADRO (RGBW), emergency battery backup, and sensor integration. These must be addressed and evaluated on a case-by-case basis.

Battery

Factory installed long life, high temperature, maintenance-free Lithium-Ion battery pack with self-test functionality, test switch and charge indicator. Minimum of 90 minutes operation, up to 1000 lumens per 4' (25°C) emergency lighting output and recharge time of 24 hours.

MOUNTING

Pendant: Pendant fixtures can be mounted with aircraft cable.
Recessed: Recessed fixtures can be mounted in drywall ceilings with trim or mud flange options.
Surface: Surface fixtures can be mounted directly to drywall and hard surface ceilings, hardware supplied by others. A minimum of 6" from the vertical wall is required.

FINISH

Interior: 95%, reflective matte powder coated white paint.
Exterior: Matte white, matte black or aluminum powder coating. Custom finishes are also available.

CONSTRUCTION

Housing: Extruded aluminum and aluminum sheet, up to 90% recycled content
Reflectors: Aluminum
Lens: Acrylic
Hanger: Chromed griplock securely attached in end caps and/or joiners with stainless steel hardware
Aircraft cable suspension: Ø 1/16" stainless steel aircraft cable

WEIGHT

Direct/Indirect	Direct
Ø 2': 5.9 lb - 2.7 kg	Ø 2': 4.9 lb - 2.2 kg
Ø 3': 8.9 lb - 4 kg	Ø 3': 7.3 lb - 3.3 kg
Ø 4': 11.8 lb - 5.4 kg	Ø 4': 9.7 lb - 4.4 kg
Ø 5': 14.8 lb - 6.7 kg	Ø 5': 12.1 lb - 5.5 kg
Ø 6': 17.8 lb - 8 kg	Ø 6': 14.6 lb - 6.6 kg

CERTIFICATIONS

ETL: Rated for indoor dry/damp locations. Conforms to UL Standard 1598 and certified to CAN/CSA Standard C22.2 No. 250.0.

IC rated: Suitable for direct contact with insulation. For Recessed mounting only.

Declare: [LBC Red List Approved](#)

WARRANTY

Lumenwerx provides a five-year limited warranty on electrical and mechanical performance of the luminaires, including the LED boards, drivers, and auxiliary electronics. Lumenwerx will repair or replace defective luminaires or components at our discretion, provided they have been installed and operated in accordance with our specifications. Other limitations apply, please refer to the full warranty on our website.