

CURVIA SLIM SEAL 1

PATTERN

PENDANT - RECESSED - SURFACE



SEALWERX SERIES



At just 1.25" tall and available in 1" and 2" widths, Curvia Slim Seal carries forward the curvilinear design language of Curvia Slim while adding sealed protection. Offered with three standard radii, 90° corners, and two endcap options, it enables the same arcs, rings, and patterns with an equally sleek profile. With IP54 and IP64 ratings, Slim Seal safeguards performance against dust and moisture, making it ideal for healthcare, hospitality, food service, and outdoor applications.



SENSORS
For latest information on sensors, click [here](#).



Curvia Slim Brochure

Curvia Family (Refer to other spec sheets)

Curvia Mini	Curvia Slim	Curvia Slim Seal	Curvia Prism	Curvia	Curvia XYZ	Curvia Horizon	Curvia Perimeter	Curvia Seal Perimeter	Curvia Seal	Curvia Acoustix
1"	1", 2"	1", 2"	2"	2", 3", 4"	2", 3"	2", 3"	2", 3", 4", 5"	2", 3", 4"	2", 3", 4"	2"
Ring	Ring Shapes Pattern	Ring Shapes- Pattern	Ring Shapes Pattern	Ring Shapes Pattern	Pattern	Ring Shapes	Pattern	Pattern	Ring Shapes Pattern	Ring Shapes Pattern

3737 Cote Vertu St-Laurent, Quebec, Canada H4R 2C9
T (514) 225-4304 F (514) 931-4862
www.lumenwerx.com



Lumenwerx reserves the right to modify product specifications without notification.
© Lumenwerx, ULC. All rights reserved.
CURVIA-SLIM-SEAL-1-PATTERN-SPEC-REV1 June 26, 2026

CURVIA SLIM SEAL 1

PATTERN

PENDANT - RECESSED - SURFACE



Project: _____

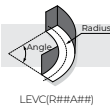

Type: _____

SEALWERX SERIES

Order Guide

A drawing of your pattern is required - anything from a line drawing to an architectural drawing.

LUMINAIRE ID	DISTRIBUTION	ENVIRONMENT ^{1,2}	OPTIC	LIGHT SOURCE	CRI	LUMEN PACKAGE
	D		EPDO	SW		
CURVSLIMSEALIPAT - Curvia Slim Seal 1" Pendant Pattern CURVSLIMSEALIRPAT - Curvia Slim Seal 1" Recessed Pattern CURVSLIMSEALISPAT - Curvia Slim Seal 1" Surface Pattern	D - Direct	IP64 - IP64-Rated IP54 - IP54-Rated ¹ See page 5 for more information on the features and installation details for each environment option. ² Fixture must be installed with direct lens facing down.	EPDO - Environmentally Protected Direct Optic	SW - Static white	80CRI - 80+ CRI 90CRI - 90+ CRI	350LMF - Eco low output 350 lm/ft 500LMF - Low output 500 lm/ft 750LMF - Medium output 750 lm/ft

COLOR TEMP.	TOTAL PATTERN LENGTH	CORNER TYPE ^{3,4}
27K - 2700K 30K - 3000K 35K - 3500K 40K - 4000K 50K - 5000K	#FT#IN - Specify total pattern length (#) in 1' and/or 1" increments	CURVED CORNER ⁵ #LEVC(R##A##) - Curved leveled corner  LEVC(R##A##) ³ See page 3 for details. ⁴ If more than one option is specified, separate codes with a "+", e.g. 2LEVC(RI2A45)+1LEVS(A90). ⁵ Specify quantity (#), radius (R##) and angle (A##), e.g. 2LEVC(RI2A45). ⁶ Specify quantity (#), e.g. 2LEVS(A90). Corner angle is 90°.
		STRAIGHT CORNER ⁶ #LEVS(A90) - Straight leveled corner  LEVS(A90)

VOLTAGE	DRIVER ⁸	ELECTRICAL	ELECTRICAL SECTIONS (optional) ^{14,15}
120V - 120V 277V - 277V UNV - 120V-277V 347V ⁷ - 347V ⁷ Only available with RDI driver.	REMOTE RDI ¹ - 1% 0-10V RELV ⁹ - ELV 120V RTRI ⁹ - TRIAC 120V RDA ¹⁰ - DALI RLDE1 ¹⁰ - Lutron Hi-Lume 1% Eco RELD1 - eldoLED 1% ECOdrive 0-10V RELD0 - eldoLED 0.1% SOLOdrive 0-10V RLTD10 - Low-temperature 10% 0-10V ⁸ See page 5 for driver temperature ranges. ⁹ Only available with 120V. ¹⁰ On-site commissioning is required.	1C - 1 circuit #MC ¹¹ - Multi circuit EC - Emergency-powered fixture NL - Night light fixture DL - Daylight fixture GTD ^{12,13} - Generator transfer device fixture ¹¹ Specify total number of circuits (#), including any circuits required for electrical section options. Provide drawing or layout specifications. Minimum 4' section per circuit. ¹² Not available with 347V. ¹³ Not available for environments where the ambient temperature falls below 0°C (32°F).	#EC## ¹⁶ - Emergency-powered section #NL## ¹⁶ - Night light section #DL## ¹⁶ - Daylight section #GTD## ^{16,17,18} - Generator transfer device section #EMB ^{17,18,19,20} - Emergency battery NA - None ¹⁴ Specify with multi circuit (#MC) electrical option only. ¹⁵ Provide drawing or layout specifications. Consult factory for other configurations. Default section length is 4'. ¹⁶ Specify quantity (#), and section length in inches (##). ¹⁷ Not available with 347V. ¹⁸ Not available for environments where the ambient temperature falls below 0°C (32°F). ¹⁹ Specify quantity (#). Each battery powers a 4' linear section. Minimum length of linear section is 5'. ²⁰ All batteries will be on the same circuit.

MOUNTING ²¹	FINISH	END CAP Specify NA for Recessed or for closed patterns	WIRE HARNESS LENGTH ²³ Specify NA for Pendant	OPTION		
PENDANT ²² SSTS - Stem, standard SSTC() - Stem, custom	RECESSED DTR - Trim DMF - Drywall mud flange	SURFACE GSM - Gasketed surface mount	W - Matte white B - Matte black AL - Aluminum WA - White antimicrobial Silverwerx CF# - Custom finish, specify RAL#	FL - Flat NA - Not applicable	10FT - 10' 20FT - 20' 30FT - 30' 50FT - 50' 70FT - 70' 90FT - 90' NA - Not applicable ²³ Low-voltage, plenum-rated wire harness for remote driver.	CRF ²⁴ - Corrosion-resistant finish NA - None ²⁴ Only available with IP64 environment option.

²¹ The mounting option selected must reflect the luminaire ID.
²² Standard canopies are black for black fixtures, and white for all other finishes. See page 3 for full details on standard and custom options.



CURVIA SLIM SEAL 1

PATTERN

PENDANT - RECESSED - SURFACE



SEALWERX SERIES

Pendant Mounting Code

Stem

Standard

SSTS - Stem, standard

- Ø 5" for power canopy
- Ø 5" for non-power canopy
- Canopies are black for black fixtures, and white for all other fixture finishes
- Power cord is black for black fixtures, and white for all other fixture finishes
- Stem finish is the same color as fixture
- Stem length is 18"
- Stem is not field adjustable

Custom

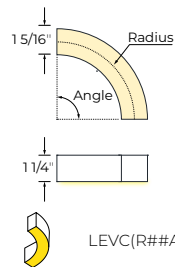
Example: SSTC(5NPC-36IN-W-STW-PCW-SLS)

SSTC() - Stem, custom

NON-POWER CANOPY SIZE	STEM LENGTH	CANOPY FINISH	STEM COLOR	POWER CORD COLOR	OPTION
5NPC - Ø 5" non-power canopy	18IN - 18" 36IN - 36" #IN ² - Specify length in inches <small>²Minimum length is 6". Maximum length is 72". Stem is not field adjustable.</small>	W - Matte white AL - Aluminum B - Matte black CF# - Custom finish, specify RAL#	STW - Matte white STAL - Aluminum STB - Matte black STCF# - Custom finish, specify RAL#	PCW - White PCB - Black	SLS - Sloped ceiling for stem NA - None

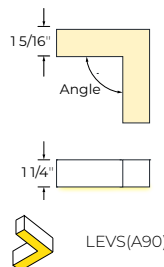
Corner Types

CURVED CORNER



RADIUS	ANGLE
12"	45°
18"	90°
24"	135°
	180°
	270°

STRAIGHT CORNER



CURVIA SLIM SEAL 1

PATTERN

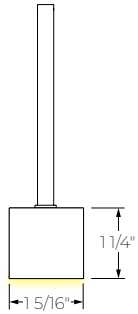
PENDANT - RECESSED - SURFACE



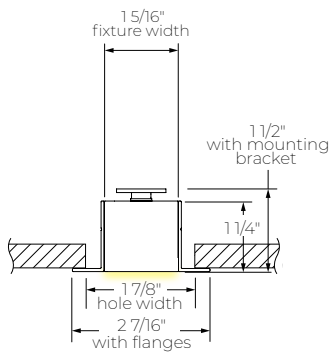
SEALWERX SERIES

Dimensions

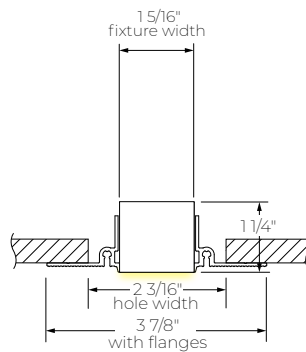
PENDANT



RECESSED

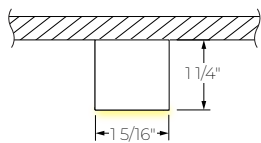


TRIM



DRYWALL MUD FLANGE

SURFACE



GASKETED SURFACE MOUNT

CURVIA SLIM SEAL 1

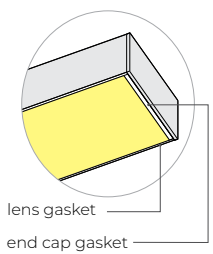
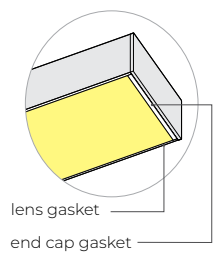
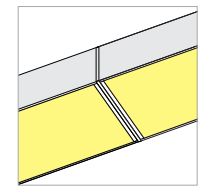
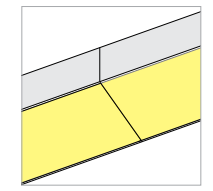
PATTERN

PENDANT - RECESSED - SURFACE



SEALWERX SERIES

Environment Options

Direct	
IP64	IP54
Dust tight Water splash resistance	Dust protected Water splash resistance
OUTDOOR	
Moderate exposure to the elements	Under canopy, slightly exposed
INDOOR	
Wipe down application Healthcare application	
	
Joiner gasket every 8'	Continuous line of light over 8'
	

Ambient Temperature Range based on driver selection

	RLDE1	RELV / RTRI	RDA / RELD1 / RELDO	RD1	RLTD10
Minimum temperature:	0 °C / 32 °F	-10 °C / 14 °F	-20 °C / -4 °F	-30 °C / -22 °F	-40 °C / -40 °F
Maximum temperature:	40 °C / 104 °F				

CURVIA SLIM SEAL 1

PATTERN

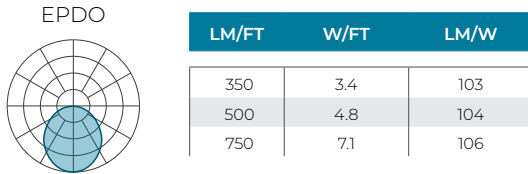
PENDANT - RECESSED - SURFACE



SEALWERX SERIES

Photometrics

Values calculated based on a 4' fixture at 3500K.



MULTIPLIER TABLE

Use this table to get results for different color temperatures.

CCT	WATTS		LPW
	80+ CRI / 90+ CRI	80+ CRI / 90+ CRI	80+ CRI / 90+ CRI
2700K	1.02		0.98
3000K	1.00		1.00
3500K	1.00		1.00
4000K	0.97		1.03
5000K	0.97		1.03

CURVIA SLIM SEAL 1

PATTERN

PENDANT - RECESSED - SURFACE



SEALWERX SERIES

Technical Specifications

OPTIC

Environmentally Protected Direct Optic (EPDO)

The Environmentally Protected Optic features an innovative sealed design with our exclusive Supreme Grip™ Technology and advanced gasketing, ensuring a precise, secure fit on the extrusion while delivering superior protection against dust, water, and UV distortion.

LIGHT SOURCE

Custom array of mid-flux LEDs are cartridge-mounted with quick-connect wiring to facilitate service and thermal management. Available in 2700K, 3000K, 3500K, 4000K, and 5000K with a minimum 80+ CRI and an option for 90+ CRI with elevated R9 value. Color consistency maintained to within 3 SDCM. All LEDs have been tested in accordance with IESNA LM-80-08 and the results have shown L80 lumen maintenance greater than 60,000 hours. Absolute product photometry is measured and presented in accordance with IESNA LM-79, unless otherwise indicated.

ELECTRICAL

Factory-set, adjustable output current LED driver with universal (120-277 VAC) input. Dimmable from 100% to 1% with 0-10V dimming control. Rated life (90% survivorship) of 50,000 hours at 50°C max. ambient (and 70°C max. case) temperature. At maximum driver load: Efficiency > 84%, PF > 0.9, THD < 20%. Other specifiable options include Lutron Hi-Lume 1% Eco, eldoLED 1% ECOdrive 0-10V, eldoLED 0.1% SOLOdrive 0-10V, ELV, TRIAC, and DALI protocol drivers. All of our standard 0-10V drivers are NEMA 410 compliant. ELV and TRIAC dimming performance (including minimum dimming percentage) subject to dimmer selection. An optional low-temperature 10% 0-10V driver, suitable for temperatures down to -40°C/F is also available.

PoE

Depending on the PoE manufacturer selected, Lumenwerx will install the node in factory as either integral to the luminaire or as a remote module. Factory programming of the PoE node may or may not enable the following functionalities: lumen package, DUO (tunable white), QUADRO (RGBW), emergency battery backup, and sensor integration. These must be addressed and evaluated on a case-by-case basis.

Battery

Factory installed long life, high temperature, maintenance-free Lithium-Ion battery pack with self-test functionality, test switch and charge indicator. Minimum of 90 minutes operation, up to 1000 lumens per 4' (25°C) emergency lighting output and recharge time of 24 hours. Suited for ambient temperatures of 0°C (32°F) to 55°C (131°F).

Generator Transfer Device (GTD)

A UL924 listed shunt relay that can bypass both line voltage (120-277V) and 0-10V dimming signal. Suited for ambient temperatures of 0°C (32°F) to 60°C (140°F).

MOUNTING

Pendant: Pendant fixtures can be mounted with stem.

Recessed: Recessed fixtures can be mounted in ceilings with trim or mud flange options.

Surface: Surface fixtures can be mounted directly to hard surface ceilings, hardware supplied by others. A minimum of 6" from the vertical wall is required.

FINISH

Interior: 95% reflective matte powder coated white paint

Exterior: Powder-coat paint in matte white, matte black, or aluminum. Custom finishes are also available. Optional antimicrobial finish.

CONSTRUCTION

Housing: Extruded aluminum

Reflectors: Aluminum

Lens: Polycarbonate

Gaskets: closed-cell silicone foam

Stem: Ø 1/2" threaded steel tube

End cap: Die-cast aluminum

WEIGHT

Pendant: 0.57 lb/ft - 0.26 kg/ft

Recessed: 0.93 lb/ft - 0.42 kg/ft

Surface: 0.57 lb/ft - 0.26 kg/ft

CERTIFICATION

ETL: IP54-Rated environment option is rated for dry/damp locations. IP64-Rated environment option is ETL Wet Listed. Conforms to UL Standard 1598 and certified to CAN/CSA Standard C22.2 No. 250.0. During the installation of Wet Listed fixtures, the contractor is responsible for properly sealing all mounting and electrical connection points.

WARRANTY

Lumenwerx provides a five-year limited warranty on electrical and mechanical performance of the luminaires, including the LED boards, drivers, and auxiliary electronics. Lumenwerx will repair or replace defective luminaires or components at our discretion, provided they have been installed and operated in accordance with our specifications. Other limitations apply, please refer to the full warranty on our website.