

# CURVIA SLIM SEAL 2



SHAPES

PENDANT - RECESSED - SURFACE

SEALWERX SERIES



At just 1.25" tall and available in 1" and 2" widths, Curvia Slim Seal carries forward the curvilinear design language of Curvia Slim while adding sealed protection. Offered with three standard radii, 90° corners, and two endcap options, it enables the same arcs, rings, and patterns with an equally sleek profile. With IP54 and IP64 ratings, Slim Seal safeguards performance against dust and moisture, making it ideal for healthcare, hospitality, food service, and outdoor applications.



**SENSORS**  
For latest information on sensors, click [here](#).



Curvia Slim Brochure

## Curvia Family (Refer to other spec sheets)

Curvia Mini	Curvia Slim	Curvia Slim Seal	Curvia Prism	Curvia	Curvia XYZ	Curvia Horizon	Curvia Perimeter	Curvia Seal Perimeter	Curvia Seal	Curvia Acoustix
1"	1", 2"	1", 2"	2"	2", 3", 4"	2", 3"	2", 3"	2", 3", 4", 5"	2", 3", 4"	2", 3", 4"	2"
Ring	Ring Shapes Pattern	Ring Shapes Pattern	Ring Shapes Pattern	Ring Shapes Pattern	Pattern	Ring Shapes	Pattern	Pattern	Ring Shapes Pattern	Ring Shapes Pattern

3737 Cote Vertu St-Laurent, Quebec, Canada H4R 2C9  
T (514) 225-4304 F (514) 931-4862  
[www.lumenwerx.com](http://www.lumenwerx.com)



Lumenwerx reserves the right to modify product specifications without notification.  
© Lumenwerx, ULC. All rights reserved.  
CURVIA-SLIM-SEAL-2-SHAPES-SPEC-REV1 June 26, 2026

# CURVIA SLIM SEAL 2

## SHAPES

### PENDANT - RECESSED - SURFACE



Project: \_\_\_\_\_

Type: \_\_\_\_\_

#### SEALWERX SERIES

## Order Guide

LUMINAIRE ID	DISTRIBUTION	ENVIRONMENT <sup>1,2</sup>	SIZE <sup>3</sup>	CORNER RADIUS <sup>6</sup> Specify NA for Capsule
	<b>D</b>			
<p><b>SQUARE</b></p> <p><b>CURVSLIMSEAL2SQP</b> - Curvia Slim Seal 2" Square Pendant  <b>CURVSLIMSEAL2SQR</b> - Curvia Slim Seal 2" Square Recessed  <b>CURVSLIMSEAL2SQS</b> - Curvia Slim Seal 2" Square Surface</p> <p><b>RECTANGLE</b></p> <p><b>CURVSLIMSEAL2REP</b> - Curvia Slim Seal 2" Rectangle Pendant  <b>CURVSLIMSEAL2RER</b> - Curvia Slim Seal 2" Rectangle Recessed  <b>CURVSLIMSEAL2RES</b> - Curvia Slim Seal 2" Rectangle Surface</p> <p><b>CAPSULE</b></p> <p><b>CURVSLIMSEAL2CAP</b> - Curvia Slim Seal 2" Capsule Pendant  <b>CURVSLIMSEAL2CAR</b> - Curvia Slim Seal 2" Capsule Recessed  <b>CURVSLIMSEAL2CAS</b> - Curvia Slim Seal 2" Capsule Surface</p>	<b>D</b> - Direct	<p><b>IP64</b> - IP64-Rated  <b>IP54</b> - IP54-Rated</p> <p><sup>1</sup>See page 5 for more information on the features and installation details for each environment option.  <sup>2</sup>Fixture must be installed with direct lens facing down.</p>	<p><b>#FT#IN#FT#IN</b> <sup>4,5</sup> - Nominal length X nominal width</p> <p><sup>3</sup>The real dimension of the fixture can differ up to 4" from the nominal size.  <sup>4</sup>Specify nominal length (#) and width (#) in 1" and/or 1/2" increments.  <sup>5</sup>Minimum size: Square 4' x 4', Rectangle 4' x 6', and Capsule 3' x 4'.</p>	<p><b>R12</b> - 12" radius  <b>R18</b> - 18" radius  <b>R24</b> - 24" radius  <b>NA</b> <sup>7</sup> - Not applicable</p> <p><sup>6</sup>Radii are referenced to fixture centerline.  <sup>7</sup>For Capsule, radius is defined by the size.</p>

OPTIC	LIGHT SOURCE	CRI	LUMEN PACKAGE <sup>8</sup>	COLOR TEMPERATURE	VOLTAGE
<b>EPDO</b>	<b>SW</b>				
<b>EPDO</b> - Environmentally Protected Direct Optic	<b>SW</b> - Static white	<b>80CRI</b> - 80+ CRI <b>90CRI</b> - 90+ CRI	<b>350LMF</b> - Eco low output 350 lm/ft <b>500LMF</b> - Low output 500 lm/ft <b>750LMF</b> - Medium output 750 lm/ft <b>1000LMF</b> - High output 1000 lm/ft	<b>27K</b> - 2700K <b>30K</b> - 3000K <b>35K</b> - 3500K <b>40K</b> - 4000K <b>50K</b> - 5000K	<b>120V</b> - 120V <b>277V</b> - 277V <b>UNV</b> - 120V-277V <b>347V</b> <sup>9</sup> - 347V

<sup>8</sup>To calculate the total lumens, multiply the lumen package (lm/ft) by the length of the shape (ft).

<sup>9</sup>Only available with RD1 driver.

DRIVER <sup>10</sup>	ELECTRICAL	ELECTRICAL SECTIONS (optional) <sup>16,17</sup>
<b>REMOTE</b>	<p><b>1C</b> - 1 circuit  <b>#MC</b> <sup>13</sup> - Multi circuit  <b>EC</b> - Emergency-powered fixture  <b>NL</b> - Night light fixture  <b>DL</b> - Daylight fixture  <b>CTD</b> <sup>14,15</sup> - Generator transfer device fixture</p> <p><sup>13</sup>Specify total number of circuits (#), including any required for electrical section options. Provide drawing or layout specifications.  <sup>14</sup>Not available with 347V.  <sup>15</sup>Not available for environments where the ambient temperature falls below 0°C (32°F).</p>	<p><b>#EC##</b> <sup>18</sup> - Emergency-powered section  <b>#NL##</b> <sup>18</sup> - Night light section  <b>#DL##</b> <sup>18</sup> - Daylight section  <b>#GTD##</b> <sup>18,19,20</sup> - Generator transfer device section  <b>#EMB</b> <sup>19,20,21,22</sup> - Emergency battery  <b>NA</b> - None</p> <p><sup>16</sup>Specify with multi circuit (#MC) electrical option only.  <sup>17</sup>Provide drawing or layout specifications. Consult factory for other configurations. Default section length is 4'.  <sup>18</sup>Specify quantity (#), and section length in inches (##).  <sup>19</sup>Not available with 347V.  <sup>20</sup>Not available for environments where the ambient temperature falls below 0°C (32°F).  <sup>21</sup>Specify quantity (#). Each battery powers a 4' linear section. Minimum length of linear section is 5'.  <sup>22</sup>All batteries will be on the same circuit.</p>

<sup>10</sup>See page 5 for driver temperature ranges.  
<sup>11</sup>Only available with 120V.  
<sup>12</sup>On-site commissioning is required.

MOUNTING <sup>23</sup>	FINISH	WIRE HARNESS LENGTH <sup>25</sup> Specify NA for Pendant	OPTION
<b>PENDANT</b> <sup>24</sup>	<p><b>W</b> - Matte white  <b>B</b> - Matte black  <b>AL</b> - Aluminum  <b>WA</b> - White antimicrobial Silverwerx  <b>CF#</b> - Custom finish, specify RAL#</p>	<p><b>10FT</b> - 10'  <b>20FT</b> - 20'  <b>30FT</b> - 30'  <b>50FT</b> - 50'  <b>70FT</b> - 70'  <b>90FT</b> - 90'  <b>NA</b> - Not applicable</p> <p><sup>25</sup>Low-voltage, plenum-rated wire harness for remote driver.</p>	<p><b>CRF</b> <sup>26</sup> - Corrosion-resistant finish  <b>NA</b> - None</p> <p><sup>26</sup>Only available with IP64 environment option.</p>

<sup>23</sup>The mounting option selected must reflect the luminaire ID.  
<sup>24</sup>Standard canopies are black for black fixtures, and white for all other finishes. See page 3 for full details on standard and custom options.



# CURVIA SLIM SEAL 2



## SHAPES

PENDANT - RECESSED - SURFACE

**SEALWERX SERIES**

## Pendant Mounting Code

### Stem

#### Standard

##### SSTS - Stem, standard

- Ø 5" for power canopy
- Ø 5" for non-power canopy
- Canopies are black for black fixtures, and white for all other fixture finishes
- Power cord is black for black fixtures, and white for all other fixture finishes
- Stem finish is the same color as fixture
- Stem length is 18"
- Stem is not field adjustable

#### Custom

Example: SSTC(5NPC-36IN-W-STW-PCW-SLS)

##### SSTC() - Stem, custom

NON-POWER CANOPY SIZE	STEM LENGTH	CANOPY FINISH	STEM COLOR	POWER CORD COLOR	OPTION
<b>5NPC</b> - Ø 5" non-power canopy	<b>18IN</b> - 18" <b>36IN</b> - 36" <b>#IN</b> <sup>2</sup> - Specify length in inches  <small><sup>2</sup>Minimum length is 6". Maximum length is 72". Stem is not field adjustable.</small>	<b>W</b> - Matte white <b>AL</b> - Aluminum <b>B</b> - Matte black <b>CF#</b> - Custom finish, specify RAL#	<b>STW</b> - Matte white <b>STAL</b> - Aluminum <b>STB</b> - Matte black <b>STCF#</b> - Custom finish, specify RAL#	<b>PCW</b> - White <b>PCB</b> - Black	<b>SLS</b> - Sloped ceiling for stem <b>NA</b> - None

# CURVIA SLIM SEAL 2



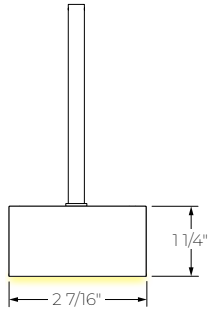
## SHAPES

### PENDANT - RECESSED - SURFACE

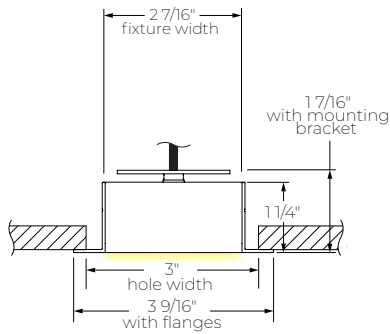
#### SEALWERX SERIES

## Dimensions

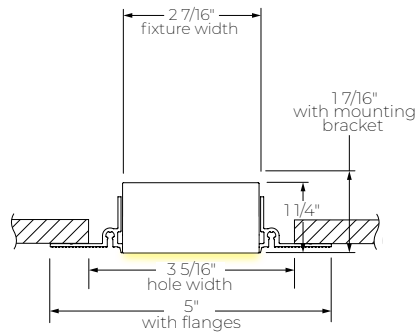
### PENDANT



### RECESSED

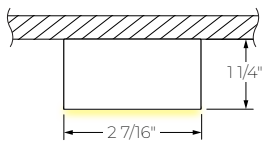


TRIM



DRYWALL MUD FLANGE

### SURFACE



GASKETED SURFACE MOUNT

# CURVIA SLIM SEAL 2

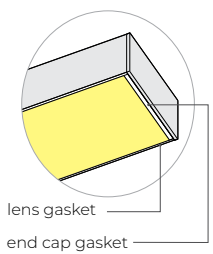
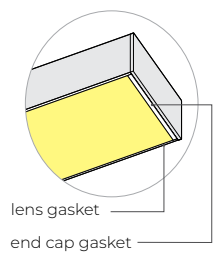
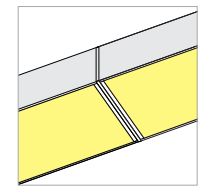
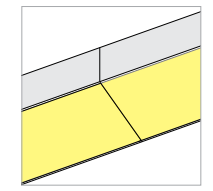


## SHAPES

### PENDANT - RECESSED - SURFACE

#### SEALWERX SERIES

## Environment Options

Direct	
<b>IP64</b>	<b>IP54</b>
Dust tight   Water splash resistance	Dust protected   Water splash resistance
OUTDOOR	
Moderate exposure to the elements	Under canopy, slightly exposed
INDOOR	
Wipe down application Healthcare application	
	
Joiner gasket every 8'	Continuous line of light over 8'
	

## Ambient Temperature Range

based on driver selection

	RLDE1	RELV / RTRI	RDA / RELD1 / RELDO	RD1	RLTD10
Minimum temperature:	0 °C / 32 °F	-10 °C / 14 °F	-20 °C / -4 °F	-30 °C / -22 °F	-40 °C / -40 °F
Maximum temperature:	40 °C / 104 °F				

# CURVIA SLIM SEAL 2



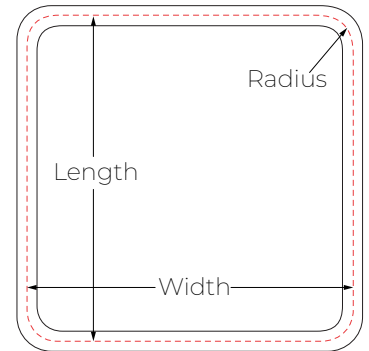
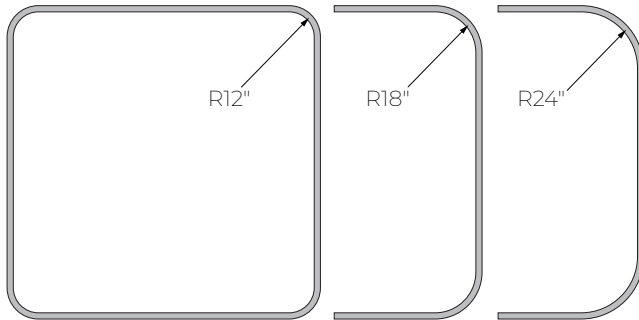
## SHAPES

PENDANT - RECESSED - SURFACE

SEALWERX SERIES

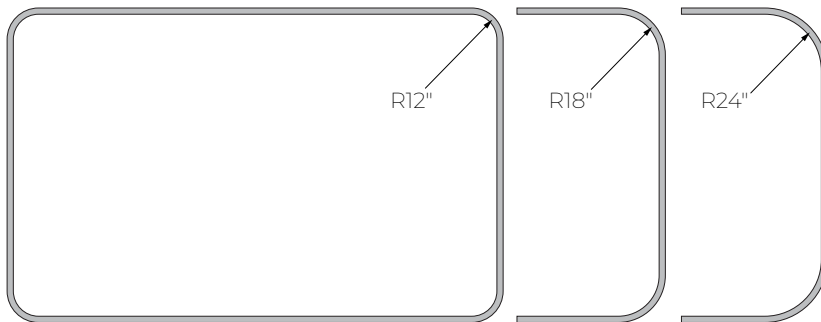
### Shapes

SQUARE SHAPE  
RADIUS: 12", 18", 24".

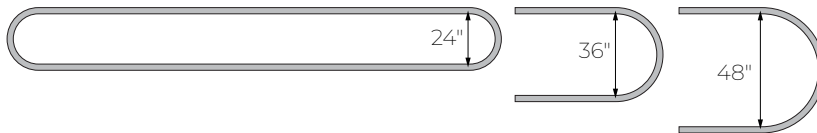


**Note:** The length, width and radius are measured from the center of the fixture.

RECTANGLE SHAPE  
RADIUS: 12", 18", 24".



CAPSULE SHAPE  
WIDTH: 24", 36", 48".



Configuration diagrams are not to scale. For visualization purposes only.

# CURVIA SLIM SEAL 2



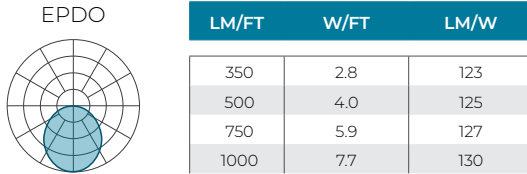
## SHAPES

PENDANT - RECESSED - SURFACE

**SEALWERX SERIES**

## Photometrics

Values calculated based on a 4' fixture at 3500K.



## MULTIPLIER TABLE

Use this table to get results for different color temperatures.

CCT	WATTS		LPW	
	80+ CRI / 90+ CRI		80+ CRI / 90+ CRI	
2700K	1.02		0.98	
3000K	1.00		1.00	
3500K	1.00		1.00	
4000K	0.97		1.03	
5000K	0.97		1.03	

# CURVIA SLIM SEAL 2

## SHAPES

PENDANT - RECESSED - SURFACE



SEALWERX SERIES

## Technical Specifications

### OPTIC

#### Environmentally Protected Direct Optic (EPDO)

The Environmentally Protected Optic features an innovative sealed design with our exclusive Supreme Grip™ Technology and advanced gasketing, ensuring a precise, secure fit on the extrusion while delivering superior protection against dust, water, and UV distortion.

### LIGHT SOURCE

Custom array of mid-flux LEDs are cartridge-mounted with quick-connect wiring to facilitate service and thermal management. Available in 2700K, 3000K, 3500K, 4000K, and 5000K with a minimum 80+ CRI and an option for 90+ CRI with elevated R9 value. Color consistency maintained to within 3 SDCM. All LEDs have been tested in accordance with IESNA LM-80-08 and the results have shown L80 lumen maintenance greater than 60,000 hours. Absolute product photometry is measured and presented in accordance with IESNA LM-79, unless otherwise indicated.

### ELECTRICAL

Factory-set, adjustable output current LED driver with universal (120-277 VAC) input. Dimmable from 100% to 1% with 0-10V dimming control. Rated life (90% survivorship) of 50,000 hours at 50°C max. ambient (and 70°C max. case) temperature. At maximum driver load: Efficiency > 84%, PF > 0.9, THD < 20%. Other specifiable options include Lutron Hi-Lume 1% Eco, eldoLED 1% ECOdrive 0-10V, eldoLED 0.1% SOLOdrive 0-10V, ELV, TRIAC, and DALI protocol drivers. All of our standard 0-10V drivers are NEMA 410 compliant. ELV and TRIAC dimming performance (including minimum dimming percentage) subject to dimmer selection. An optional low-temperature 10% 0-10V driver, suitable for temperatures down to -40°C/F is also available.

### PoE

Depending on the PoE manufacturer selected, Lumenwerx will install the node in factory as either integral to the luminaire or as a remote module. Factory programming of the PoE node may or may not enable the following functionalities: lumen package, DUO (tunable white), QUADRO (RGBW), emergency battery backup, and sensor integration. These must be addressed and evaluated on a case-by-case basis.

### Battery

Factory installed long life, high temperature, maintenance-free Lithium-Ion battery pack with self-test functionality, test switch and charge indicator. Minimum of 90 minutes operation, up to 1000 lumens per 4' (25°C) emergency lighting output and recharge time of 24 hours. Suited for ambient temperatures of 0°C (32°F) to 55°C (131°F).

### Generator Transfer Device (GTD)

A UL924 listed shunt relay that can bypass both line voltage (120-277V) and 0-10V dimming signal. Suited for ambient temperatures of 0°C (32°F) to 60°C (140°F).

### MOUNTING

**Pendant:** Pendant fixtures can be mounted with stem.

**Recessed:** Recessed fixtures can be mounted in ceilings with trim or mud flange options.

**Surface:** Surface fixtures can be mounted directly to hard surface ceilings, hardware supplied by others. A minimum of 6" from the vertical wall is required.

### FINISH

**Interior:** 95% reflective matte powder coated white paint

**Exterior:** Powder-coat paint in matte white, matte black, or aluminum. Custom finishes are also available. Optional antimicrobial finish.

### CONSTRUCTION

**Housing:** Extruded aluminum

**Reflectors:** Aluminum

**Lens:** Polycarbonate

**Gaskets:** closed-cell silicone foam

**Stem:** Ø 1/2" threaded steel tube

### WEIGHT

**Pendant:** 0.84 lb/ft - 0.38 kg/ft

**Recessed:** 1.20 lb/ft - 0.54 kg/ft

**Surface:** 0.84 lb/ft - 0.38 kg/ft

### CERTIFICATION

**ETL:** IP54-Rated environment option is rated for dry/damp locations. IP64-Rated environment option is ETL Wet Listed. Conforms to UL Standard 1598 and certified to CAN/CSA Standard C22.2 No. 250.0. During the installation of Wet Listed fixtures, the contractor is responsible for properly sealing all mounting and electrical connection points.

### WARRANTY

Lumenwerx provides a five-year limited warranty on electrical and mechanical performance of the luminaires, including the LED boards, drivers, and auxiliary electronics. Lumenwerx will repair or replace defective luminaires or components at our discretion, provided they have been installed and operated in accordance with our specifications. Other limitations apply, please refer to the full warranty on our website.