

CURVIA 2 HORIZON RING

RECESSED - SURFACE



Declare.



Curvia Horizon luminaires feature four standard closed shapes—Ring, Rounded Square, Rounded Rectangle, and Capsule—that mount horizontally, directing light either inward toward their centers or outward away from their housing. They provide versatile illumination, enhancing depth and creating engaging effects in any space.



Inward



Outward

SENSORS
For latest information on sensors, click [here](#).



Curvia Additions Brochure

Curvia Family (Refer to other spec sheets)

| Curvia Mini | Curvia Slim | Curvia Slim Seal | Curvia Prism | Curvia | Curvia XYZ | Curvia Horizon | Curvia Perimeter | Curvia Seal Perimeter | Curvia Seal | Curvia Acoustix |
|-------------|---------------------|---------------------|---------------------|---------------------|------------|----------------|------------------|-----------------------|---------------------|---------------------|
| 1" | 1", 2" | 1", 2" | 2" | 2", 3", 4" | 2", 3" | 2", 3" | 2", 3", 4", 5" | 2", 3", 4" | 2", 3", 4" | 2" |
| | | | | | | | | | | |
| Ring | Ring Shapes Pattern | Ring Shapes Pattern | Ring Shapes Pattern | Ring Shapes Pattern | Pattern | Ring Shapes | Pattern | Pattern | Ring Shapes Pattern | Ring Shapes Pattern |

3737 Cote Vertu St-Laurent, Quebec, Canada H4R 2C9
T (514) 225-4304 F (514) 931-4862
www.lumenwerx.com



Lumenwerx reserves the right to modify product specifications without notification.
© Lumenwerx, ULC. All rights reserved.
CURVIA2-HORIZON-RING-SPEC-REV1 January 29, 2026

CURVIA 2 HORIZON RING

RECESSED - SURFACE



Project: _____

Type: _____

Order Guide

| LUMINAIRE ID | DISTRIBUTION | SIZE ^{1,2} | OPTIC | LIGHT SOURCE ⁵ |
|---|---|---|---|--|
| | | | HLO | |
| CURV2HORIR - Curvia 2" Horizon Ring Recessed CURV2HORIS - Curvia 2" Horizon Ring Surface | IND - Inward OTD - Outward | 2FT ³ - Ø 2' 3FT - Ø 3' 4FT - Ø 4' 5FT - Ø 5' 6FT - Ø 6' 8FT - Ø 8' 10FT - Ø 10' 12FT - Ø 12' #FT ⁴ - Custom, specify diameter (#) | HLO - High-Efficiency Lambertian Optic | SW - Static white FS - Full spectrum static white ⁵ Chromawerx SOLA, DUO, and QUADRO also available. Consult factory. |

¹ Dimensions are referenced from the wall side.
² Ø 8' and over will be shipped in separate pieces.
³ Not available with OTD.
⁴ Minimum Ø 2' for IND and minimum Ø 3' for OTD.

| CRI | LUMEN PACKAGE ⁶ | COLOR TEMPERATURE | VOLTAGE | DRIVER ⁸ |
|---|---|--|---|--|
| <u>Static white</u> 80CRI - 80+ CRI 90CRI - 90+ CRI <u>Full spectrum</u> 95CRI - 95+ CRI | 350LMF - Eco low output 350 lm/ft 500LMF - Low output 500 lm/ft 750LMF - Medium output 750 lm/ft 1000LMF - High output 1000 lm/ft ⁶ To calculate the total lumens, multiply the lumen package (lm/ft) by the circumference of the ring (diameter x π). | 27K - 2700K 30K - 3000K 35K - 3500K 40K - 4000K 50K - 5000K | 120V - 120V 277V - 277V UNV - 120V-277V 347V ⁷ - 347V ⁷ Available with D1 driver only. Minimum Ø 7" fixture for integral drivers. | D1 - 1% 0-10V ELV ⁹ - ELV 120V TRI ⁹ - TRIAC 120V DA ¹⁰ - DALI LDE1 ¹⁰ - Lutron Hi-Lume 1% Eco ELD1 - eldoLED 1% ECOdrive 0-10V ELDO - eldoLED 0.1% SOLOdrive 0-10V ⁸ Integral or remote subject to factory evaluation. Code will be updated with prefix "R" if factory determines driver to be remote. ⁹ Available with 120V only. ¹⁰ On-site commissioning is required. |

| ELECTRICAL | MOUNTING ¹⁷ | FINISH | OPTIONS ¹⁸ |
|--|--|--|---|
| 1C - 1 circuit EC - Emergency-powered fixture NL - Night light fixture DL - Daylight fixture GTD ^{11,12} - Generator transfer device fixture <u>Emergency battery option</u> ^{11,12,13,14} +EMB(FL) ¹⁵ - Emergency battery, fully lit +EMB(SL) ¹⁶ - Emergency battery, section lit | RECESSED DTR - Trim DMF - Drywall mud flange ¹⁷ The mounting option selected must reflect the luminaire ID. | SURFACE DRC - Drywall ceiling W - Matte white AL - Aluminum B - Matte black CF# - Custom finish, specify RAL# | FUI20 - Fuse 120V FU277 - Fuse 277V FWC ¹⁹ - Flexible whip cable (6' std) CP ¹⁹ - Chicago Plenum NA - None ¹⁸ Separate codes with a "+" if more than one is specified. ¹⁹ Available with recessed mounting only. |

¹¹ Integral or remote subject to factory evaluation. GTD/EMB must be housed with the driver.
¹² Not available with 347V.
¹³ The battery is always remote.
¹⁴ Not available with EC or GTD. To specify, add +EMB() to the selected electrical option and specify the lighting configuration desired, e.g. 1C+EMB(FL).
¹⁵ Only available with Ø 2' to Ø 4'.
¹⁶ Only available with Ø 5' and bigger. For Ø 5' to Ø 6', fixture will be half lit. For Ø 7' to Ø 9', fixture will be third lit. For Ø 10' to Ø 12', fixture will be quarter lit.



CURVIA 2 HORIZON RING

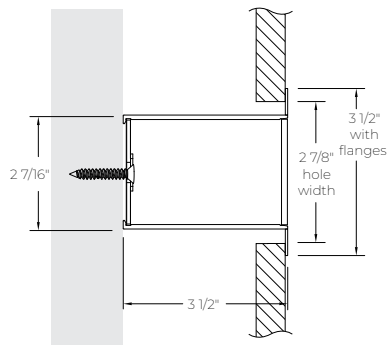
RECESSED - SURFACE



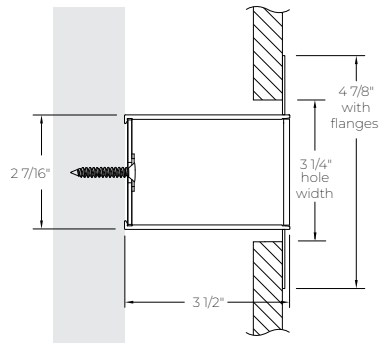
Dimensions

RECESSED

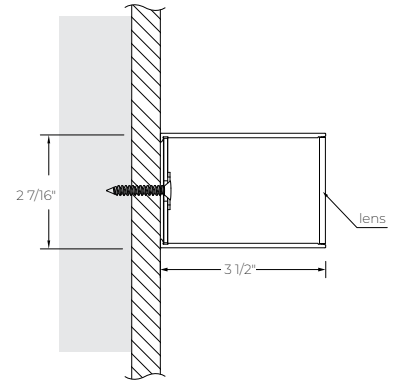
SURFACE



DTR - Trim



DMF - Drywall mud flange



DRC - Drywall ceiling

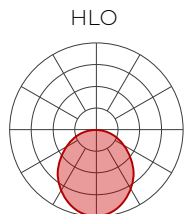
CURVIA 2 HORIZON RING

RECESSED - SURFACE



Photometrics

Values calculated based on 4' straight segments at 3500K.



| LM/FT | W/FT | LM/W |
|-------|------|------|
| 350 | 3.1 | 113 |
| 500 | 4.6 | 109 |
| 750 | 7.2 | 104 |
| 1000 | 10.1 | 99 |

MULTIPLIER TABLE

Use this table to get results for different color temperatures.

| CCT | WATTS | LPW |
|-------|-------------------|-------------------|
| | 80+ CRI / 90+ CRI | 80+ CRI / 90+ CRI |
| 2700K | 1.05 | 0.95 |
| 3000K | 1.02 | 0.98 |
| 3500K | 1.00 | 1.00 |
| 4000K | 1.00 | 1.00 |
| 5000K | 0.96 | 1.04 |

Example



Recessed bulkhead - Inward & Outward

CURVIA 2 HORIZON RING

RECESSED - SURFACE



Technical Specifications

OPTIC

High-Efficiency Lambertian Optic (HLO)

Lumenwerx's High-Efficiency Lambertian Optic is engineered with reflective sidewalls that distribute LED output across acrylic shielding. To negotiate the curves of Lumenwerx rounded fixtures, the HLO is equipped with proprietary SupremeGrip™ technology, which keeps the optic securely in place.

LIGHT SOURCE

Static white

Custom array of mid-flux LEDs are cartridge-mounted with quick-connect wiring to facilitate service and thermal management. Available in 2700K, 3000K, 3500K, 4000K, and 5000K with a minimum 80+ CRI and an option for 90+ CRI with elevated R9 value. Color consistency maintained to within 3 SDCM. LEDs operate at reduced drive current to optimize efficacy and lumen maintenance. All LEDs have been tested in accordance with IESNA LM-80-08 and the results have shown L80 lumen maintenance greater than 60,000 hours. Absolute product photometry is measured and presented in accordance with IESNA LM-79, unless otherwise indicated.

Full spectrum static white

The full spectrum LED option offers improved color particularly in the cyan region that is beneficial in both healthcare and circadian lighting strategies. The cyan region in full spectrum LED is richer at the 480 nm range.

ELECTRICAL

Factory-set, adjustable output current LED driver with universal (120-277 VAC) input. Dimmable from 100% to 1% with 0-10V dimming control. Rated life (90% survivorship) of 50,000 hours at 50°C max. ambient (and 70°C max. case) temperature. At maximum driver load: Efficiency > 84%, PF > 0.9, THD < 20%. Other specifiable options include Lutron Hi-Lume 1% Eco, eldoLED 1% ECOdrive 0-10V, eldoLED 0.1% SOLOdrive 0-10V, ELV, TRIAC, and DALI protocol drivers. All of our standard 0-10V drivers are NEMA 410 compliant. ELV and TRIAC dimming performance (including minimum dimming percentage) subject to dimmer selection.

PoE

Depending on the PoE manufacturer selected, Lumenwerx will install the node in factory as either integral to the luminaire or as a remote module. Factory programming of the PoE node may or may not enable the following functionalities: lumen package, DUO (tunable white), QUADRO (RGBW), emergency battery backup, and sensor integration. These must be addressed and evaluated on a case-by-case basis.

Battery

Factory installed long life, high temperature, maintenance-free Lithium-Ion battery pack with self-test functionality, test switch and charge indicator. Minimum of 90 minutes operation, up to 1000 lumens per 4' (25°C) emergency lighting output and recharge time of 24 hours.

MOUNTING

Recessed: Recessed fixtures can be mounted in ceilings with trim or mud flange options.

Surface: Fixtures can be mounted directly to drywall and hard surface ceilings, hardware supplied by others. A minimum of 6" from the vertical wall is required.

FINISH

Interior: 95% reflective matte powder coated white paint.

Exterior: Matte white, matte black or aluminum powder coating. Custom finishes are also available.

CONSTRUCTION

Housing: Extruded aluminum and aluminum sheet, up to 90% recycled content

Reflectors: Aluminum

Optic: Acrylic

Hanger: Chromed griplock securely attached in end caps and/or joiners with stainless steel hardware

Aircraft cable suspension: Ø 1/16" stainless steel aircraft cable

Stem: Ø 1/2" threaded steel tube

WEIGHT

Recessed: 2.5 lb/ft - 1.13 kg/ft

Surface: 2 lb/ft - 0.91 kg/ft

CERTIFICATIONS

ETL: Rated for indoor dry/damp locations. Conforms to UL Standard 1598 and certified to CAN/CSA Standard C22.2 No. 250.0.

IC rated: Suitable for direct contact with insulation. For Recessed mounting only.

Declare: [LBC Red List Approved](#)

WARRANTY

Lumenwerx provides a five-year limited warranty on electrical and mechanical performance of the luminaires, including the LED boards, drivers, and auxiliary electronics. Lumenwerx will repair or replace defective luminaires or components at our discretion, provided they have been installed and operated in accordance with our specifications. Other limitations apply, please refer to the full warranty on our website.