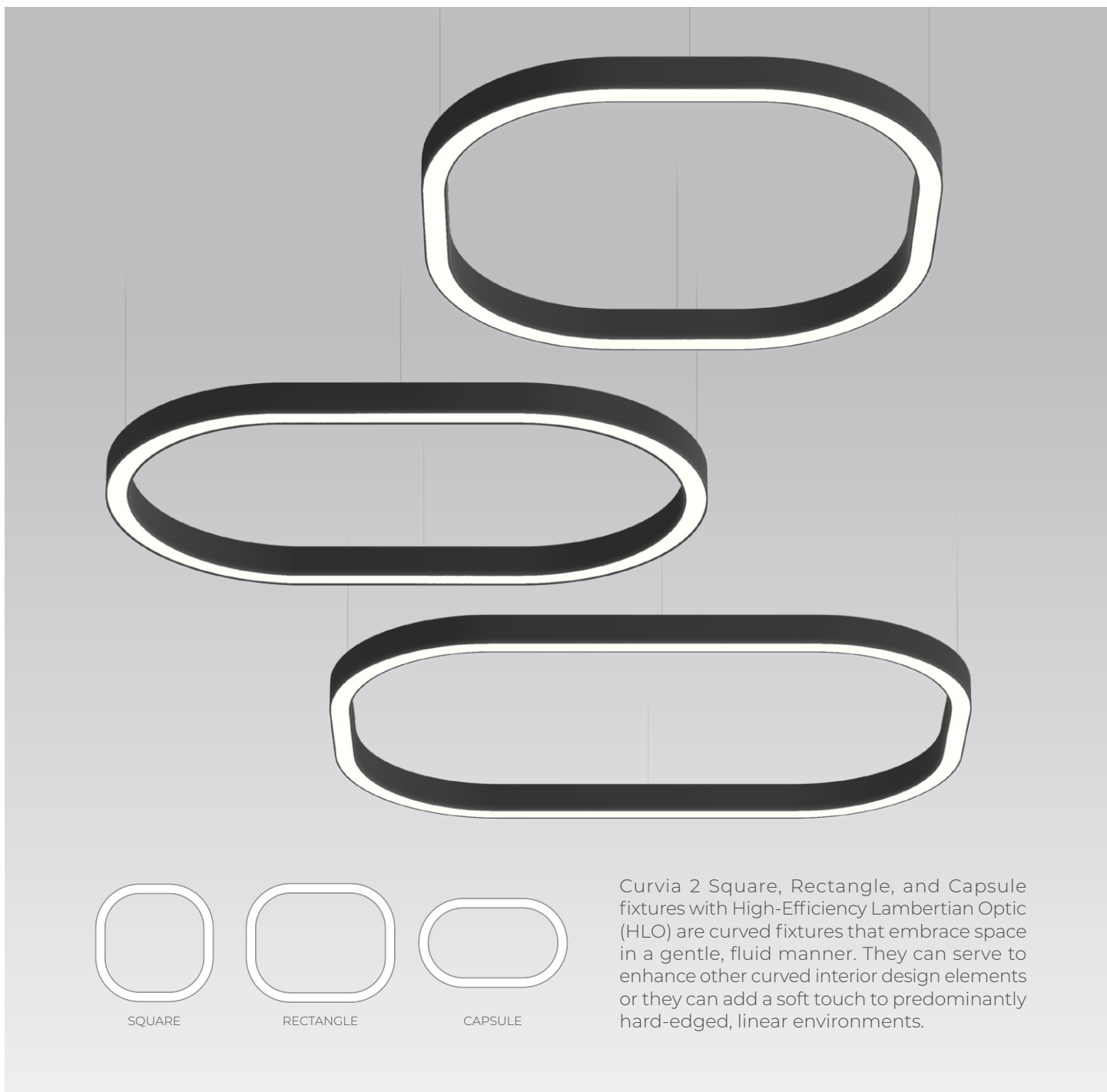


# CURVIA 2

## SHAPES

PENDANT - SURFACE - RECESSED

LUMENWERX



Curvia 2 Square, Rectangle, and Capsule fixtures with High-Efficiency Lambertian Optic (HLO) are curved fixtures that embrace space in a gentle, fluid manner. They can serve to enhance other curved interior design elements or they can add a soft touch to predominantly hard-edged, linear environments.

### Curvia Family (Refer to other spec sheets)

#### Curvia Mini



Ring  
1"

#### Curvia 2 Prism



Ring  
2"



Shapes  
Square / Rectangle / Capsule  
2"



Pattern  
2"

#### Curvia 2, 3, 4



Ring  
2" / 3" / 4"



Shapes  
Square / Rectangle / Capsule  
2" / 3" / 4"



Pattern  
2" / 3" / 4"

SENSORS  
For latest  
information  
on sensors,  
click [here](#).



# CURVIA 2

## SHAPES

### PENDANT - SURFACE - RECESSED



# LUMENWERX

Project: \_\_\_\_\_

Type: \_\_\_\_\_

## Order Guide

LUMINAIRE ID	DISTRIB.	SIZE	CORNER RADIUS	DIRECT OPTIC	INDIRECT OPTIC Specify NA for Direct fixture	LIGHT SOURCE <sup>5</sup>
				<b>HLO</b>		
<p><b>SQUARE</b>  <b>CURV2SQP</b> - Curvia 2" Square Pendant  <b>CURV2SQS</b> - Curvia 2" Square Surface  <b>CURV2SQR</b> - Curvia 2" Square Recessed</p> <p><b>RECTANGLE</b>  <b>CURV2REP</b> - Curvia 2" Rectangle Pendant  <b>CURV2RES</b> - Curvia 2" Rectangle Surface  <b>CURV2RER</b> - Curvia 2" Rectangle Recessed</p> <p><b>CAPSULE</b>  <b>CURV2CAP</b> - Curvia 2" Capsule Pendant  <b>CURV2CAS</b> - Curvia 2" Capsule Surface  <b>CURV2CAR</b> - Curvia 2" Capsule Recessed</p>	<p><b>D1</b><sup>1</sup> - Direct/ Indirect  <b>D</b> - Direct</p> <p><sup>1</sup> Available for Pendant mounting only.</p>	<p><b>#FT#INX#FT#IN</b> <sup>2,3</sup> - Overall length X overall width</p> <p><sup>2</sup> Specify nominal length (#) and width (#) in 1" and/or 1" increments.  <sup>3</sup> Minimum size: Square 4ft x 4ft, Rectangle 4ft x 6ft, and Capsule 3ft x 4ft.</p>	<p><b>R12</b> -12" radius  <b>R18</b> -18" radius  <b>R24</b> -24" radius  <b>R30</b> -30" radius  <b>R36</b> -36" radius  <b>Rxx</b> <sup>4</sup> -Custom radius in inches</p> <p><sup>4</sup> Minimum radius 12".</p>	<p><b>HLO</b> - High-Efficiency Lambertian Optic</p>	<p><b>HLO</b> - High-Efficiency Lambertian Optic  <b>NA</b> - Not applicable</p>	<p><b>SW</b> - Static white  <b>FS</b> - Full spectrum</p> <p><sup>5</sup> Chromawerx Sola and Duo also available. Consult factory.</p>

CRI	DIRECT LUMEN PACKAGE	INDIRECT LUMEN PACKAGE Specify NA for Direct fixture	COLOR TEMP.	VOLTAGE
<p><b>80CRI</b> <sup>6</sup> - 80 CRI  <b>90CRI</b> <sup>6</sup> - 90 CRI  <b>95CRI</b> <sup>7</sup> - 95 CRI</p> <p><sup>6</sup> Not available with full spectrum.  <sup>7</sup> Not available with static white.</p>	<p><b>350LMF</b> - Eco low output 350 lm/ft  <b>500LMF</b> - Low output 500 lm/ft  <b>750LMF</b> - Medium output 750 lm/ft  <b>1000LMF</b> <sup>8</sup> - High output 1000 lm/ft</p> <p><sup>8</sup> Not available with full spectrum.</p>	<p><b>350LMF</b> - Eco low output 350 lm/ft  <b>500LMF</b> - Low output 500 lm/ft  <b>750LMF</b> - Medium output 750 lm/ft  <b>NA</b> - Not applicable</p>	<p><b>27K</b> - 2700K  <b>30K</b> - 3000K  <b>35K</b> - 3500K  <b>40K</b> - 4000K</p>	<p><b>120V</b> - 120V  <b>277V</b> - 277V  <b>UNV</b> - 120V-277V  <b>347V</b> <sup>9</sup> - 347V</p> <p><sup>9</sup> Only available with D1 or RD1 driver options.</p>

DRIVER <sup>10</sup>	ELECTRICAL
<p><b>INTEGRAL</b></p> <p><b>D1</b> - 1% 0-10V  <b>DA</b> <sup>11</sup> - DALI  <b>LTEA2W</b> <sup>12</sup> - Lutron 1% - 2 wire FPI20V  <b>LDE1</b> <sup>11</sup> - Lutron Hi-Lume 1% Eco  <b>ELD1</b> - eldoLED 1% ECOdrive 0-10V  <b>ELDO</b> - eldoLED 0.1% SOLOdrive 0-10V</p> <p><sup>10</sup> PoE (Power-over-Ethernet) compatible. Consult factory for details.  <sup>11</sup> On-site commissioning is required.  <sup>12</sup> Available with 120V only.  <sup>13</sup> For emergency battery, code will be like the following example: RD1 + EB</p>	<p><b>REMOTE</b></p> <p><b>RD1</b> - 1% 0-10V  <b>RDA</b> <sup>11</sup> - DALI  <b>RLTEA2W</b> <sup>12</sup> - Lutron 1% - 2 wire FPI20V  <b>RLDE1</b> <sup>11</sup> - Lutron Hi-Lume 1% Eco  <b>RELD1</b> - eldoLED 1% ECOdrive 0-10V  <b>RELD0</b> - eldoLED 0.1% SOLOdrive 0-10V  <b>+EB</b> <sup>13</sup> - Emergency battery</p> <p><b>1C</b> - 1 circuit  <b>2C</b> <sup>14</sup> - 2 circuits  <b>EC</b> - Emergency-powered fixture  <b>NL</b> - Night light fixture  <b>DL</b> - Daylight fixture  <b>GTD</b> <sup>15,16</sup> - Generator transfer device fixture</p> <p><sup>14</sup> Available for Direct/Indirect only. Separate direct and indirect circuits.  <sup>15</sup> Minimum 4' length.  <sup>16</sup> Not available with 347V.</p>

MOUNTING				FINISH		
<b>PENDANT</b>				<b>SURFACE</b>	<b>RECESSED</b>	<b>W</b> - Matte white <b>AL</b> - Aluminum <b>B</b> - Matte black <b>CF#</b> - Custom finish, specify RAL#
<b>POWER</b>	<b>CANOPY FINISH</b>	<b>MOUNTING POINTS</b>	<b>MOUNTING LENGTH</b> <sup>21</sup>	<b>DRC</b> - Drywall ceiling	<b>DTR</b> - Drywall trim <b>DMF</b> - Drywall mud flange	
<p><b>BAC</b> - Black power cord + aircraft cable  <b>WAC</b> - White power cord + aircraft cable  <b>STM</b> <sup>17</sup> - Stem (Ø0.5")</p> <p><sup>17</sup> Stem finish is the same color as fixture.</p>	<p><b>W</b> - Matte white  <b>AL</b> - Aluminum  <b>B</b> - Matte black  <b>CF</b> - Custom finish, specify RAL#</p>	<p><b>SC</b> <sup>18,19</sup> - Single canopy  <b>MC</b> <sup>20</sup> - Multiple canopies</p> <p><sup>18</sup> Only available up to 4ft x 4ft Square.  <sup>19</sup> Not available with stem.  <sup>20,4</sup> Canopies or more provided.</p>	<p><b>18IN</b> - 18"    <b>72IN</b> - 72"  <b>24IN</b> - 24"    <b>96IN</b> - 96"  <b>36IN</b> - 36"    <b>120IN</b> - 120"  <b>48IN</b> - 48"    <b>##IN</b> - Specify nominal length in inches  <b>60IN</b> - 60"</p> <p><sup>21</sup> For single canopy option the minimum required mounting height is 29" for Square 4ft x 4ft (distance from ceiling to top of fixture in inches).</p>			

# CURVIA 2

## SHAPES

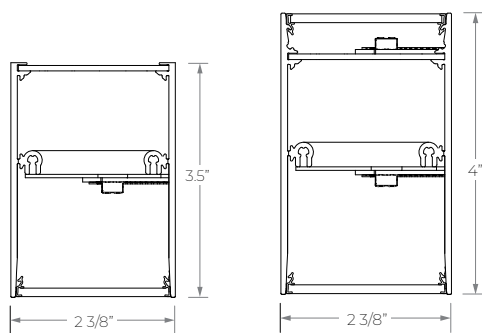
PENDANT - SURFACE - RECESSED

# LUMENWERX

### Section View

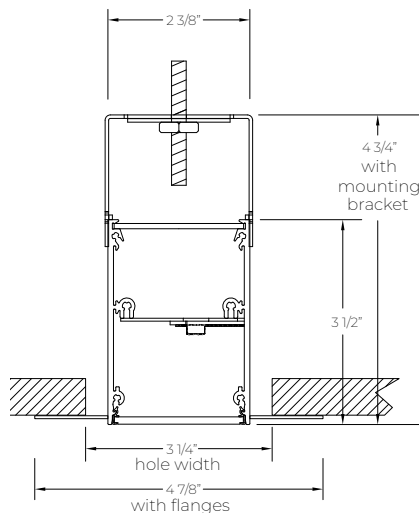
PENDANT, SURFACE

RECESSED

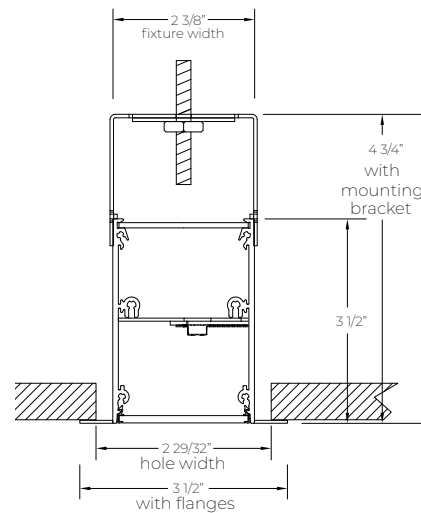


DIRECT

DIRECT / INDIRECT



DMF - Drywall mud flange

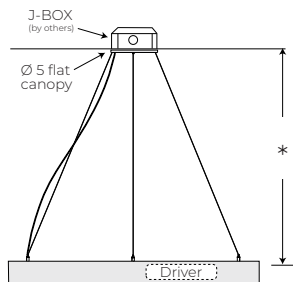


DTR - Drywall trim

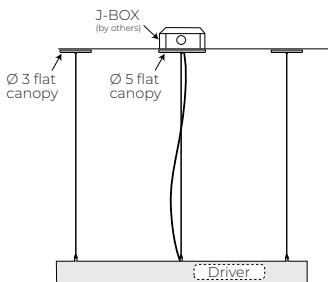
### Mounting Options

PENDANT

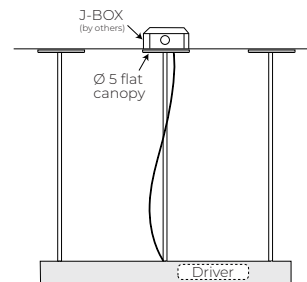
#### INTEGRAL DRIVER



POWER CORD + AIRCRAFT CABLE  
SC - SINGLE CANOPY

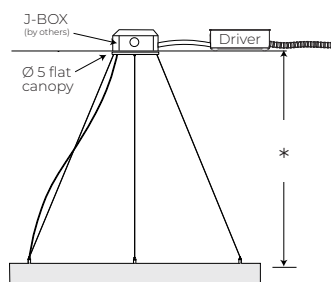


POWER CORD + AIRCRAFT CABLE  
MC - MULTIPLE CANOPIES

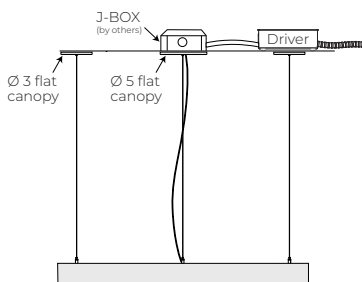


STEM  
MC - MULTIPLE CANOPIES

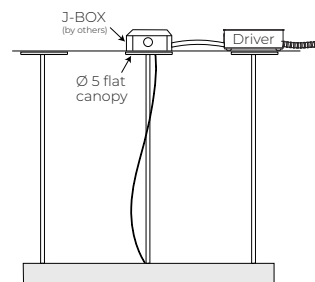
#### REMOTE DRIVER



POWER CORD + AIRCRAFT CABLE  
SC - SINGLE CANOPY



POWER CORD + AIRCRAFT CABLE  
MC - MULTIPLE CANOPIES



STEM  
MC - MULTIPLE CANOPIES

\* For single canopy option, the minimum required mounting heights: Ø 2ft : min 15" | Ø 3ft : min 22" | Ø 4ft : min 29"

# CURVIA 2

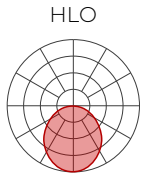
## SHAPES

### PENDANT - SURFACE - RECESSED

## Photometrics

Values calculated based on 4 ft straight segments at 35K and 80 CRI for all optics.

### DIRECT OPTICS



LM/FT	W/FT	LPW
350	3.1	113
500	4.6	109
750	7.2	104
1000	10.1	99

### INDIRECT OPTICS



LM/FT	W/FT	LPW
350	2.4	149
500	3.5	145
750	5.4	139

### MULTIPLIER TABLES

Use these tables to get results for different color temperatures and CRI for all Direct and Indirect photometric tables.

#### Multiplier - CCT/CRI

CCT (K)	Watts		LPW	
	CRI80	CRI90	CRI80	CRI90
2700	1.05	1.26	0.95	0.79
3000	1.01	1.23	0.99	0.81
3500	1.00	1.20	1.00	0.84
4000	1.00	1.17	1.00	0.85

### DIRECT/INDIRECT - LPW CALCULATION

For Direct/Indirect performance values, follow the formula.

$$\left( \frac{\text{DIRECT LM/FT} + \text{INDIRECT LM/FT}}{\text{DIRECT W/FT} + \text{INDIRECT W/FT}} \right) = \text{LPW}$$

# CURVIA 2

## SHAPES

### PENDANT - SURFACE - RECESSED

LUMENWERX

## Technical Specifications

### OPTICS

#### High-Efficiency Lambertian Optic (HLO)

Lumenwerx's High-Efficiency Lambertian Optic is engineered with reflective sidewalls that distribute LED output across acrylic shielding. To negotiate the curves of Lumenwerx rounded fixtures, the HLO is equipped with proprietary SupremeGrip™ technology, which keeps the optic securely in place.

### LIGHT SOURCE

Custom array of mid-flux LEDs are cartridge-mounted with quick-connect wiring to facilitate service and thermal management. Available in 2700K, 3000K, 3500K and 4000K with a minimum 80 CRI and an option for 90 CRI with elevated R9 value. Color consistency maintained to within 3 SDCM. LEDs operate at reduced drive current to optimize efficacy and lumen maintenance. All LEDs have been tested in accordance with IESNA LM-80-08 and the results have shown L80 lumen maintenance greater than 60,000 hours. Absolute product photometry is measured and presented in accordance with IESNA LM-79, unless otherwise indicated.

### ELECTRICAL

Factory-set, adjustable output current LED driver with universal (120-277VAC) input. Dimmable from 100% to 1% with 0-10V dimming control. Rated life (90% survivorship) of 50,000 hours at 50°C max. ambient (and 70°C max. case) temperature. At maximum driver load: Efficiency > 84%, PF > 0.9, THD < 20%. Other specifiable options include Lutron Hi-Lume 1% (specify 2-wire, or Ecosystem Dim-to-Off), eldoLED 1% ECOdrive 0-10V, eldoLED 0.1% SOLOdrive 0-10V, and DALI protocol drivers. All of our standard 0-10V drivers are NEMA 410 compliant.

### PoE

Depending on the PoE manufacturer selected, Lumenwerx will install the node in factory as either integral to the luminaire or as a remote module. Factory programming of the PoE node may or may not enable the following functionalities: lumen package, emergency battery backup, and sensor integration. These must be addressed and evaluated on a case-by-case basis.

### Battery

Factory installed long life, high temperature, maintenance-free Lithium-Ion battery pack with self-test functionality, test switch and charge indicator. Minimum of 90 minutes operation, up to 1000 lumens per 4' (25°C) emergency lighting output and recharge time of 24 hours.

### MOUNTING OPTION

#### Pendant

Pendant fixtures can be mounted either with aircraft cable or with stem.

#### Surface

Fixtures can be mounted directly to drywall and hard surface ceilings, hardware supplied by others. A minimum distance of 6" from the vertical wall is required.

#### Recessed

Recessed fixtures can be mounted in drywall ceilings with trim or mud flange options.

### FINISH

**Interior** - 95%, reflective matte powder coated white paint.

**Exterior** - Matte white, matte black or aluminum powder coating. Custom finishes are also available.

### CONSTRUCTION

**Housing** - Extruded aluminum and aluminum sheet, up to 90% recycled content

**Reflectors** - Aluminum

**HLO** - Acrylic and polycarbonate

**Hanger** - Chromed griplock securely attached with spring steel hardware in end caps and/or joiners

**Aircraft cable suspension** - 7x7 braids aluminum aircraft cable 0.06" thick

**Stem** - 0.5" diameter threaded steel tube matte white or aluminum powder coating. Custom finishes are also available.

### CERTIFICATIONS

**ETL** - Rated for Indoor dry/damp locations. Conforms to UL Standard 1598 and certified to CAN/CSA Standard C22.2 No. 250.0.

**IC rated** - Suitable for direct contact with insulation. For Recessed mounting only.

### WARRANTY

Lumenwerx provides a five-year limited warranty on electrical and mechanical performance of the luminaires, including the LED boards, drivers, and auxiliary electronics. Lumenwerx will repair or replace defective luminaires or components at our discretion, provided they have been installed and operated in accordance with our specifications. Other limitations apply, please refer to the full warranty on our website.