

# CURVIA 3

PATTERN

PENDANT - SURFACE - RECESSED

LUMENWERX



Curvia 3 Pattern fixtures with High-Efficiency Lambertian Optic (HLO) are unique lighting solutions made by connecting various Curvia 3 segments (3" wide, open/partial shapes). They can serve as statement pieces on their own or extend a lighting composition around corners and across corridors, adding depth, dimension, and decorative details along the way.

## Curvia Family (Refer to other spec sheets)

### Curvia Mini



Ring  
1"

### Curvia 2 Prism



Ring  
2"



Shapes  
Square / Rectangle / Capsule  
2"



Pattern  
2"

### Curvia 2, 3, 4



Ring  
2" / 3" / 4"



Shapes  
Square / Rectangle / Capsule  
2" / 3" / 4"



Pattern  
2" / 3" / 4"

SENSORS  
For latest  
information  
on sensors,  
click [here](#).



# CURVIA 3

## PATTERN

### PENDANT - SURFACE - RECESSED



# LUMENWERX

Project: \_\_\_\_\_  
 Type: \_\_\_\_\_

## Order Guide

A drawing of your pattern is required - anything from a line drawing to an architectural drawing. You can also use the template on page 3 to sketch your pattern.

LUMINAIRE ID	DISTRIBUTION	DIRECT OPTIC	INDIRECT OPTIC Specify NA for Direct fixture	LIGHT SOURCE <sup>2</sup>	CRI
		<b>HLO</b>			
<b>CURV3PPAT</b> - Curvia 3" Pendant Pattern <b>CURV3SPAT</b> - Curvia 3" Surface Pattern <b>CURV3RPAT</b> - Curvia 3" Recessed Pattern	<b>DI</b> <sup>1</sup> - Direct/ Indirect <b>D</b> - Direct  <sup>1</sup> Available for Pendant mounting only	<b>HLO</b> - High-Efficiency Lambertian Optic	<b>HLO</b> - High-Efficiency Lambertian Optic <b>NA</b> - Not applicable	<b>SW</b> - Static white <b>FS</b> - Full spectrum  <sup>2</sup> Chromawerx Sola and Duo also available. Consult factory.	<b>80CRI</b> <sup>3</sup> - 80 CRI <b>90CRI</b> <sup>3</sup> - 90 CRI <b>95CRI</b> <sup>4</sup> - 95 CRI  <sup>3</sup> Not available with full spectrum. <sup>4</sup> Not available with static white.

DIRECT LUMEN PACKAGE	INDIRECT LUMEN PACKAGE Specify NA for Direct fixture	COLOR TEMP.	TOTAL PATTERN LENGTH	CURVED SEGMENTS <sup>7</sup>
<b>350LMF</b> - Eco low output 350 lm/ft <b>500LMF</b> - Low output 500 lm/ft <b>750LMF</b> - Medium output 750 lm/ft <b>1000LMF</b> <sup>5</sup> - High output 1000 lm/ft  <sup>5</sup> Not available with full spectrum.	<b>350LMF</b> - Eco low output 350 lm/ft <b>500LMF</b> - Low output 500 lm/ft <b>750LMF</b> - Medium output 750 lm/ft <b>1000LMF</b> <sup>6</sup> - High output 1000 lm/ft <b>NA</b> - Not applicable  <sup>6</sup> Not available with full spectrum.	<b>27K</b> - 2700K <b>30K</b> - 3000K <b>35K</b> - 3500K <b>40K</b> - 4000K	<b>#FT#IN</b> - Specify total pattern length (#) in 1" and/or 1" increments	Qty <sup>8</sup> <b>R12A45</b> - 12" radius, 45° arc <b>R18A45</b> - 18" radius, 45° arc <b>R24A45</b> - 24" radius, 45° arc <b>R30A45</b> - 30" radius, 45° arc <b>R36A45</b> - 36" radius, 45° arc  <sup>7</sup> Can be ordered as individual segments or as a pattern with multiple segments. For patterns, multiple 45° arc segments can be placed next to each other to create wider arcs. If more than one option is specified, separate codes with a "+", e.g. 2R18A45+6R36A45. <sup>8</sup> Specify the total quantity of each segment.

STRAIGHT CORNERS	VOLTAGE	DRIVER <sup>11</sup>	ELECTRICAL
<b>CORNER TYPE</b> <b>LEV</b> - Leveled corner <b>NA</b> - None	<b>CORNER DEGREE</b> <b>90COR(#)</b> - 90 degrees, specify number of corners (#) <b>#COR(#)</b> <sup>9</sup> - Custom degree, specify the angle degree #, followed by the number of corners (#) <b>NA</b> - None  <sup>9</sup> Minimum angle is 30°.	<b>120V</b> - 120V <b>277V</b> - 277V <b>UNV</b> - 120V-277V <b>347V</b> <sup>10</sup> - 347V  <sup>10</sup> Only available with RD1 driver. Subject to factory evaluation of pattern.	<b>INTEGRAL</b> <b>D1</b> - 1% 0-10V <b>DA</b> <sup>12,13</sup> - DALI <b>LTEA2W</b> <sup>13,14</sup> - Lutron 1% - 2 wire FP120V <b>LDE1</b> <sup>12,13</sup> - Lutron Hi-Lume 1% Eco <b>ELD1</b> <sup>13</sup> - eldoLED 1% ECOdrive 0-10V <b>ELDO</b> <sup>13</sup> - eldoLED 0.1% SOLOdrive 0-10V  <sup>11</sup> PoE (Power-over-Ethernet) compatible. Consult factory for details. <sup>12</sup> On-site commissioning is required. <sup>13</sup> Availability subject to factory evaluation of pattern. <sup>14</sup> Available with 120V only. <sup>15</sup> For emergency battery, code will be like the following example: RD1 + EB.

MOUNTING				FINISH		
<b>PENDANT</b>				<b>SURFACE</b>	<b>RECESSED</b>	<b>W</b> - Matte white <b>AL</b> - Aluminum <b>B</b> - Matte black <b>CF#</b> - Custom finish, specify RAL#
<b>POWER</b>	<b>CANOPY FINISH</b>	<b>MOUNTING POINTS</b>	<b>MOUNTING LENGTH</b>	<b>DRC</b> - Drywall ceiling	<b>DTR</b> - Drywall trim <b>DMF</b> - Drywall mud flange	
<b>BAC</b> - Black power cord + aircraft cable <b>WAC</b> - White power cord + aircraft cable <b>STM</b> <sup>19</sup> - Stem (Ø0.5")  <sup>19</sup> Stem finish is the same color as fixture.	<b>W</b> - Matte white <b>AL</b> - Aluminum <b>B</b> - Matte black <b>CF</b> - Custom finish, specify RAL#	<b>MC</b> - Multiple canopies	<b>18IN</b> - 18" <b>24IN</b> - 24" <b>36IN</b> - 36" <b>48IN</b> - 48" <b>60IN</b> - 60"  <b>72IN</b> - 72" <b>96IN</b> - 96" <b>120IN</b> - 120" <b>##IN</b> - Specify nominal length in inches			



# CURVIA 3

PATTERN

PENDANT - SURFACE - RECESSED

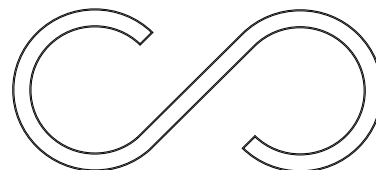
# LUMENWERX

Project: \_\_\_\_\_

Type: \_\_\_\_\_

## Pattern

Use the grid below to sketch the layout of your Curvia 3 Pattern.



# CURVIA 3

## PATTERN

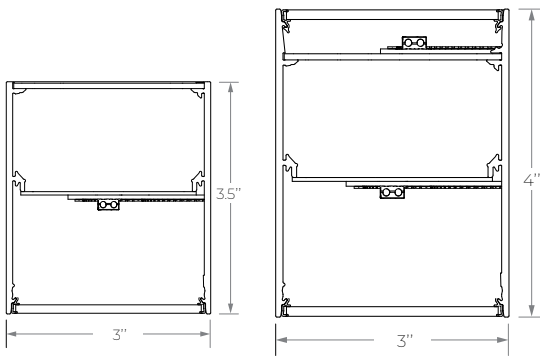
### PENDANT - SURFACE - RECESSED

LUMENWERX

#### Section View

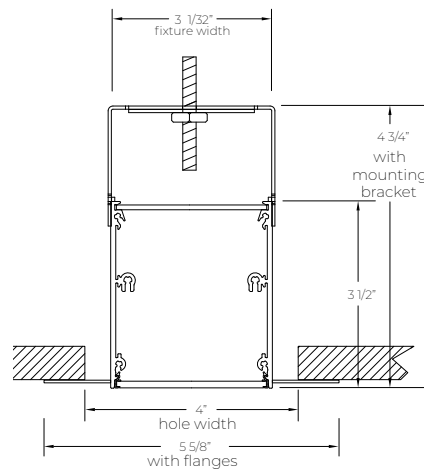
#### RECESSED

##### PENDANT, SURFACE

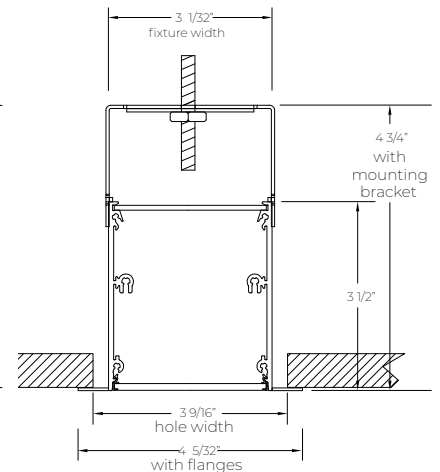


DIRECT

DIRECT / INDIRECT



DMF - Drywall mud flange

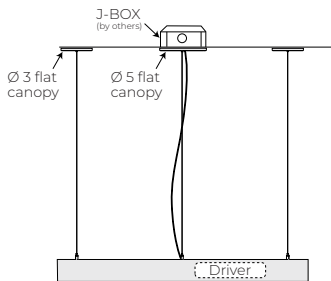


DTR - Drywall trim

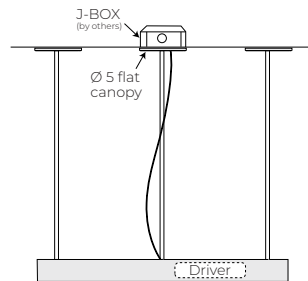
#### Mounting Options

##### PENDANT

##### INTEGRAL DRIVER

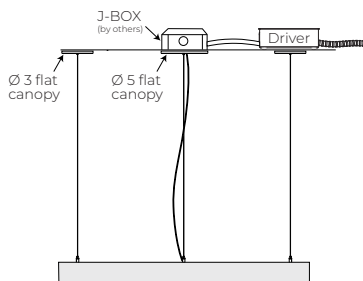


POWER CORD + AIRCRAFT CABLE

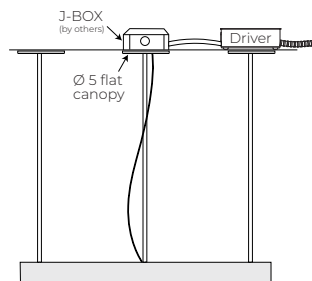


STEM

##### REMOTE DRIVER



POWER CORD + AIRCRAFT CABLE



STEM

# CURVIA 3

## PATTERN

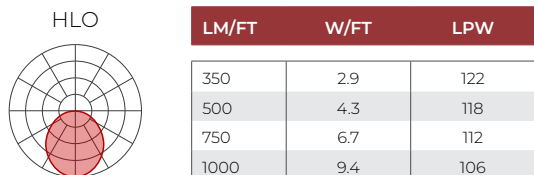
PENDANT - SURFACE - RECESSED

LUMENWERX

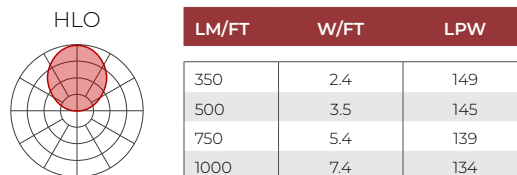
### Photometrics

Values calculated based on Curvia 3 Ring ø2 ft at 35K and 80 CRI for all optics.

#### DIRECT OPTICS



#### INDIRECT OPTICS



#### MULTIPLIER TABLES

Use these tables to get results for different color temperatures and CRI for all Direct and Indirect photometric tables.

##### Multiplier - CCT/CRI

CCT (K)	Watts		LPW	
	CRI80	CRI90	CRI80	CRI90
2700	1.05	1.26	0.95	0.79
3000	1.01	1.23	0.99	0.81
3500	1.00	1.20	1.00	0.84
4000	1.00	1.17	1.00	0.85

#### DIRECT/INDIRECT - LPW CALCULATION

For Direct/Indirect performance values, follow the formula.

$$\frac{\left( \begin{array}{c} \text{DIRECT} \\ \text{LM/FT} \end{array} + \begin{array}{c} \text{INDIRECT} \\ \text{LM/FT} \end{array} \right)}{\left( \begin{array}{c} \text{DIRECT} \\ \text{W/FT} \end{array} + \begin{array}{c} \text{INDIRECT} \\ \text{W/FT} \end{array} \right)} = \text{LPW}$$

# CURVIA 3

## PATTERN

### PENDANT - SURFACE - RECESSED

# LUMENWERX

## Technical Specifications

### OPTICS

#### High-Efficiency Lambertian Optic (HLO)

Lumenwerx's High-Efficiency Lambertian Optic is engineered with reflective sidewalls that distribute LED output across acrylic shielding. To negotiate the curves of Lumenwerx rounded fixtures, the HLO is equipped with proprietary SupremeGrip™ technology, which keeps the optic securely in place.

### LIGHT SOURCE

Custom array of mid-flux LEDs are cartridge-mounted with quick-connect wiring to facilitate service and thermal management. Available in 2700K, 3000K, 3500K and 4000K with a minimum 80 CRI and an option for 90 CRI with elevated R9 value. Color consistency maintained to within 3 SDCM. LEDs operate at reduced drive current to optimize efficacy and lumen maintenance. All LEDs have been tested in accordance with IESNA LM-80-08 and the results have shown L80 lumen maintenance greater than 60,000 hours. Absolute product photometry is measured and presented in accordance with IESNA LM-79, unless otherwise indicated.

### ELECTRICAL

Factory-set, adjustable output current LED driver with universal (120-277VAC) input. Dimmable from 100% to 1% with 0-10V dimming control. Rated life (90% survivorship) of 50,000 hours at 50°C max. ambient (and 70°C max. case) temperature. At maximum driver load: Efficiency > 84%, PF > 0.9, THD < 20%. Other specifiable options include Lutron Hi-Lume 1% (specify 2-wire, or Ecosystem Dim-to-Off), eldoLED 1% ECOdrive 0-10V, eldoLED 0.1% SOLOdrive 0-10V, and DALI protocol drivers. All of our standard 0-10V drivers are NEMA 410 compliant.

### PoE

Depending on the PoE manufacturer selected, Lumenwerx will install the node in factory as either integral to the luminaire or as a remote module. Factory programming of the PoE node may or may not enable the following functionalities: lumen package, emergency battery backup, and sensor integration. These must be addressed and evaluated on a case-by-case basis.

### Battery

Factory installed long life, high temperature, maintenance-free Lithium-Ion battery pack with self-test functionality, test switch and charge indicator. Minimum of 90 minutes operation, up to 1000 lumens per 4' (25°C) emergency lighting output and recharge time of 24 hours.

### MOUNTING OPTION

#### Pendant

Pendant fixtures can be mounted either with aircraft cable or with stem.

#### Surface

Fixtures can be mounted directly to drywall and hard surface ceilings, hardware supplied by others. A minimum distance of 6" from the vertical wall is required.

#### Recessed

Recessed fixtures can be mounted in drywall ceilings with trim or mud flange options.

### FINISH

**Interior** - 95%, reflective matte powder coated white paint.

**Exterior** - Matte white, matte black or aluminum powder coating. Custom finishes are also available.

### CONSTRUCTION

**Housing** - Extruded aluminum and aluminum sheet, up to 90% recycled content

**Reflectors** - Aluminum

**HLO** - Acrylic and polycarbonate

**Hanger** - Chromed griplock securely attached with spring steel hardware in end caps and/or joiners

**Aircraft cable suspension** - 7x7 braids aluminum aircraft cable 0.06" thick

**Stem** - 0.5" diameter threaded steel tube matte white or aluminum powder coating. Custom finishes are also available.

### CERTIFICATIONS

**ETL** - Rated for Indoor dry/damp locations. Conforms to UL Standard 1598 and certified to CAN/CSA Standard C22.2 No. 250.0.

**IC rated** - Suitable for direct contact with insulation. For Recessed mounting only.

### WARRANTY

Lumenwerx provides a five-year limited warranty on electrical and mechanical performance of the luminaires, including the LED boards, drivers, and auxiliary electronics. Lumenwerx will repair or replace defective luminaires or components at our discretion, provided they have been installed and operated in accordance with our specifications. Other limitations apply, please refer to the full warranty on our website.