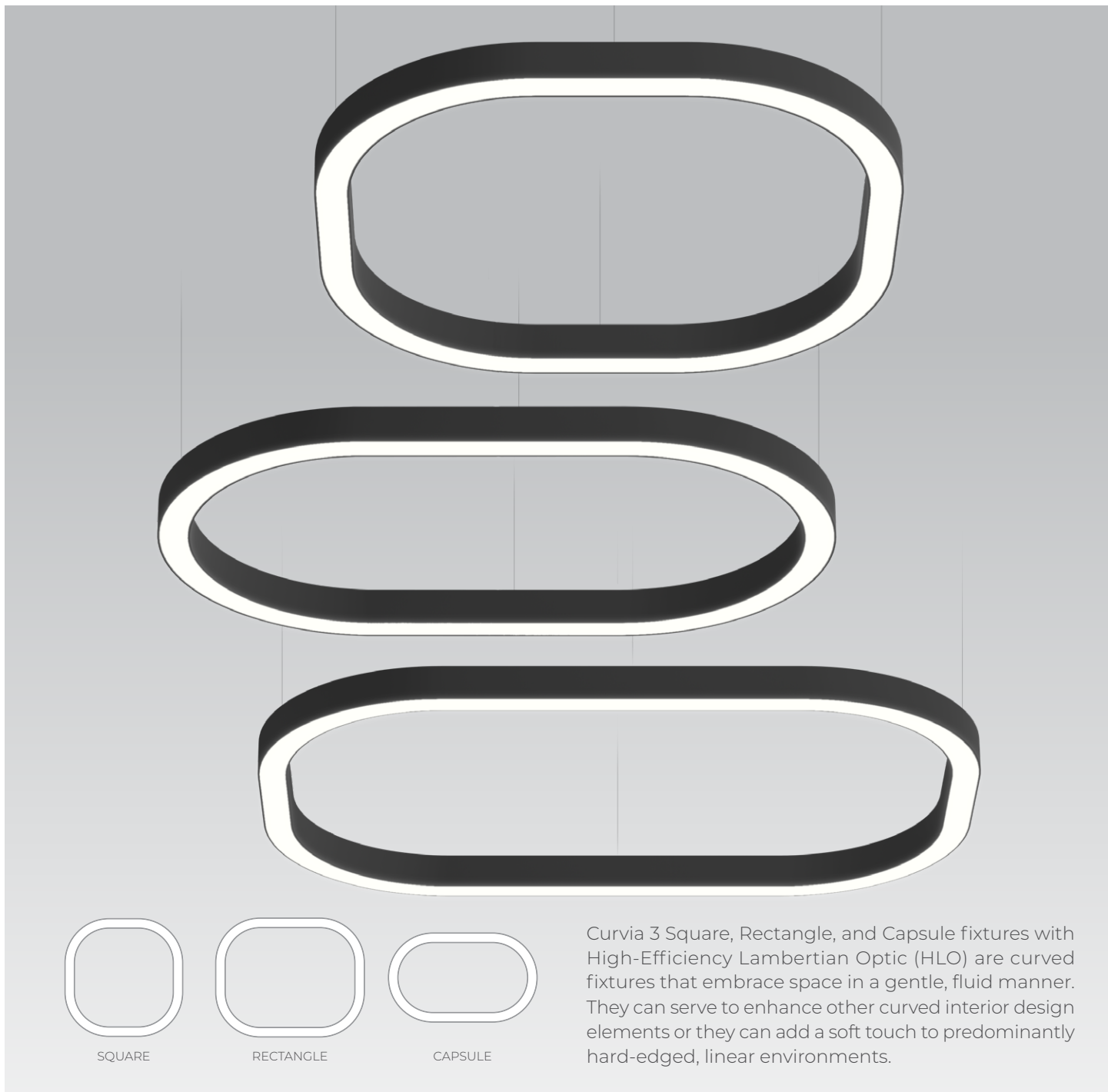


CURVIA 3

SHAPES

PENDANT - SURFACE - RECESSED

LUMENWERX



Curvia 3 Square, Rectangle, and Capsule fixtures with High-Efficiency Lambertian Optic (HLO) are curved fixtures that embrace space in a gentle, fluid manner. They can serve to enhance other curved interior design elements or they can add a soft touch to predominantly hard-edged, linear environments.

Curvia Family (Refer to other spec sheets)

Curvia Mini



Ring
1"

Curvia 2 Prism



Ring
2"



Shapes
Square / Rectangle / Capsule
2"



Pattern
2"

Curvia 2, 3, 4



Ring
2" / 3" / 4"



Shapes
Square / Rectangle / Capsule
2" / 3" / 4"



Pattern
2" / 3" / 4"

SENSORS
For latest
information
on sensors,
click [here](#).



3737 Cote Vertu St-Laurent, Quebec, Canada H4R 2C9
T (514) 225-4304 F (514) 931-4862
www.lumenwerx.com



Lumenwerx reserves the right to modify product specifications without notification.
© Lumenwerx, ULC. All rights reserved.
CURVIA3-SHAPES-PENDANT-SURFACE-RECESSED-SPEC-REV2 May 3, 2023



CURVIA 3

SHAPES

PENDANT - SURFACE - RECESSED

LUMENWERX



Project: _____

Type: _____

Order Guide

LUMINAIRE ID	DISTRIB.	SIZE	CORNER RADIUS	DIRECT OPTIC	INDIRECT OPTIC Specify NA for Direct fixture	LIGHT SOURCE ⁵
				HLO		
<p>SQUARE CURV3SQP - Curvia 3" Square Pendant CURV3SQS - Curvia 3" Square Surface CURV3SQR - Curvia 3" Square Recessed</p> <p>RECTANGLE CURV3REP - Curvia 3" Rectangle Pendant CURV3RES - Curvia 3" Rectangle Surface CURV3RER - Curvia 3" Rectangle Recessed</p> <p>CAPSULE CURV3CAP - Curvia 3" Capsule Pendant CURV3CAS - Curvia 3" Capsule Surface CURV3CAR - Curvia 3" Capsule Recessed</p>	<p>DI¹ - Direct/ Indirect D - Direct</p> <p>¹ Available for Pendant mounting only.</p>	<p>#FT#INX#FT#IN^{2,3} - Overall length X overall width</p> <p>² Specify nominal length (#) and width (#) in 1" and/or 1" increments. ³ Minimum size: Square 4ft x 4ft, Rectangle 4ft x 6ft, and Capsule 3ft x 4ft.</p>	<p>R12 -12" radius R18 -18" radius R24 -24" radius R30 -30" radius R36 -36" radius Rxx⁴ -Custom radius in inches</p> <p>⁴ Minimum radius 12".</p>	<p>HLO - High-Efficiency Lambertian Optic</p>	<p>HLO - High-Efficiency Lambertian Optic NA - Not applicable</p>	<p>SW - Static white FS - Full spectrum</p> <p>⁵ Chromawerx Sola and Duo also available. Consult factory.</p>

CRI	DIRECT LUMEN PACKAGE	INDIRECT LUMEN PACKAGE Specify NA for Direct fixture	COLOR TEMPERATURE	VOLTAGE
<p>80CRI⁶ - 80 CRI 90CRI⁶ - 90 CRI 95CRI⁶ - 95 CRI</p> <p>⁶ Not available with full spectrum. ⁷ Not available with static white.</p>	<p>350LMF - Eco low output 350 lm/ft 500LMF - Low output 500 lm/ft 750LMF - Medium output 750 lm/ft 1000LMF⁸ - High output 1000 lm/ft</p> <p>⁸ Not available with full spectrum.</p>	<p>350LMF - Eco low output 350 lm/ft 500LMF - Low output 500 lm/ft 750LMF - Medium output 750 lm/ft 1000LMF⁹ - High output 1000 lm/ft NA - Not applicable</p> <p>⁹ Not available with full spectrum.</p>	<p>27K - 2700K 30K - 3000K 35K - 3500K 40K - 4000K</p>	<p>120V - 120V 277V - 277V UNV - 120V-277V 347V¹⁰ - 347V</p> <p>¹⁰ Only available with DI or RD1 driver options.</p>

DRIVER ¹¹	ELECTRICAL
<p>INTEGRAL</p> <p>DI - 1% 0-10V DA¹² - DALI LTEA2W¹³ - Lutron 1% - 2 wire FP120V LDE1¹² - Lutron Hi-Lume 1% Eco ELD1 - eldoLED 1% ECOdrive 0-10V ELDO - eldoLED 0.1% SOLOdrive 0-10V</p> <p>¹¹ PoE (Power-over-Ethernet) compatible. Consult factory for details. ¹² On-site commissioning is required. ¹³ Available with 120V only. ¹⁴ For emergency battery, code will be like the following example: RD1 + EB</p>	<p>REMOTE</p> <p>RD1 - 1% 0-10V RDA¹² - DALI RLTEA2W¹³ - Lutron 1% - 2 wire FP120V RLDE1¹² - Lutron Hi-Lume 1% Eco RELD1 - eldoLED 1% ECOdrive 0-10V RELD0 - eldoLED 0.1% SOLOdrive 0-10V +EB¹⁴ - Emergency battery</p> <p>1C - 1 circuit 2C¹⁵ - 2 circuits EC - Emergency-powered fixture NL - Night light fixture DL - Daylight fixture GTD^{16,17} - Generator transfer device fixture</p> <p>¹⁵ Available for Direct/Indirect only. Separate direct and indirect circuits. ¹⁶ Minimum 4' length. ¹⁷ Not available with 347V.</p>

MOUNTING				FINISH		
PENDANT				SURFACE	RECESSED	<p>W - Matte white AL - Aluminum B - Matte black CF# - Custom finish, specify RAL#</p>
POWER	CANOPY FINISH	MOUNTING POINTS	MOUNTING LENGTH ²²	DRC - Drywall ceiling	DTR - Drywall trim DMF - Drywall mud flange	
<p>BAC - Black power cord + aircraft cable WAC - White power cord + aircraft cable STM¹⁸ - Stem (Ø0.5")</p> <p>¹⁸ Stem finish is the same color as fixture.</p>	<p>W - Matte white AL - Aluminum B - Matte black CF - Custom finish, specify RAL#</p>	<p>SC^{19,20} - Single canopy MC²¹ - Multiple canopies</p> <p>¹⁹ Only available up to 4ft x 4ft Square. ²⁰ Not available with stem. ²¹ 4 Canopies or more provided.</p>	<p>18IN - 18" 72IN - 72" 24IN - 24" 96IN - 96" 36IN - 36" 120IN - 120" 48IN - 48" #IN - Specify nominal length in inches 60IN - 60"</p> <p>²² For single canopy option the minimum required mounting height is 29" for Square 4ft x 4ft (distance from ceiling to top of fixture in inches).</p>			

CURVIA 3

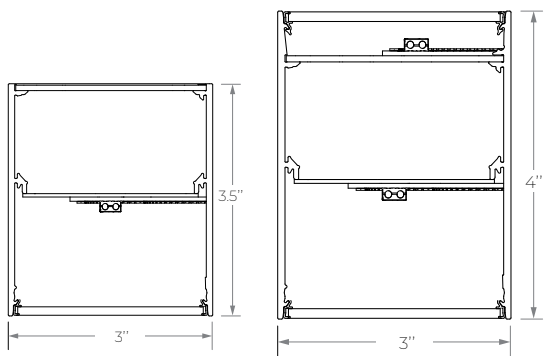
SHAPES

PENDANT - SURFACE - RECESSED

LUMENWERX

Section View

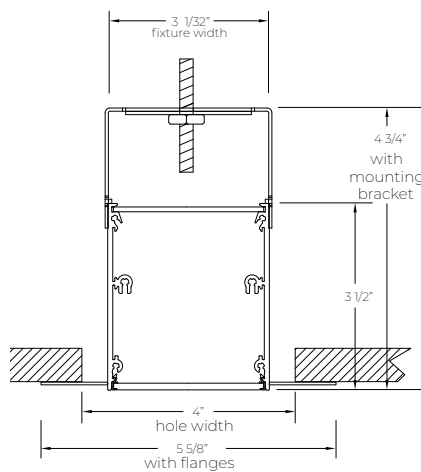
PENDANT, SURFACE



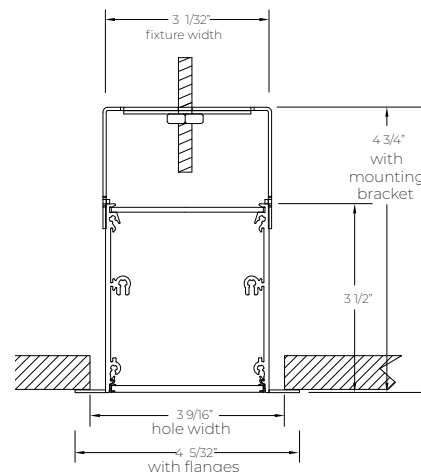
DIRECT

DIRECT / INDIRECT

RECESSED



DMF - Drywall mud flange

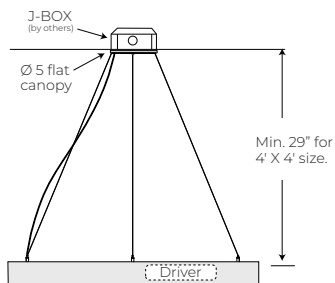


DTR - Drywall trim

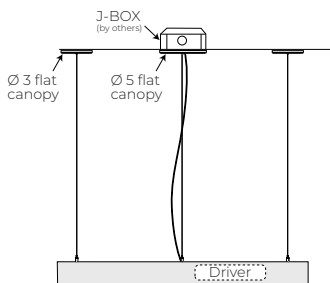
Mounting Options

PENDANT

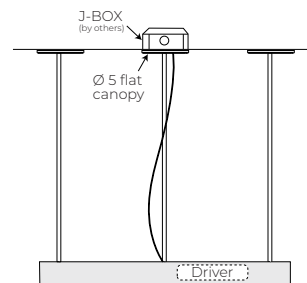
INTEGRAL DRIVER



POWER CORD + AIRCRAFT CABLE
SC - SINGLE CANOPY

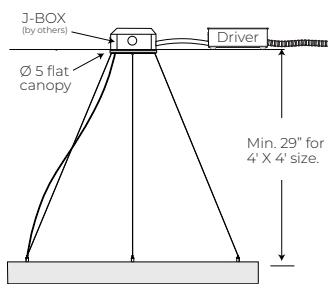


POWER CORD + AIRCRAFT CABLE
MC - MULTIPLE CANOPIES

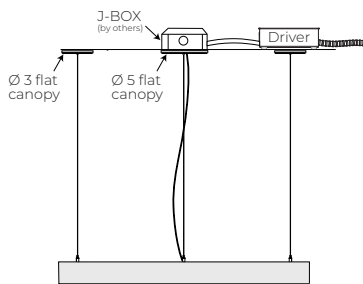


STEM
MC - MULTIPLE CANOPIES

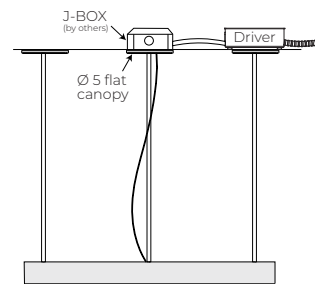
REMOTE DRIVER



POWER CORD + AIRCRAFT CABLE
SC - SINGLE CANOPY



POWER CORD + AIRCRAFT CABLE
MC - MULTIPLE CANOPIES



STEM
MC - MULTIPLE CANOPIES

CURVIA 3

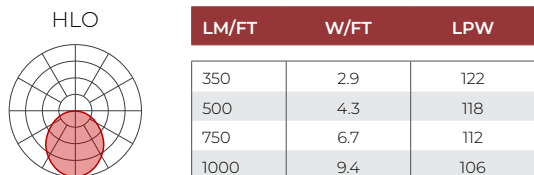
SHAPES

PENDANT - SURFACE - RECESSED

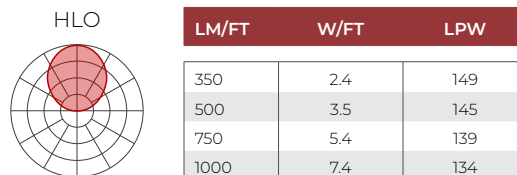
Photometrics

Values calculated based on Curvia 3 Ring ø2 ft at 35K and 80 CRI for all optics.

DIRECT OPTICS



INDIRECT OPTICS



MULTIPLIER TABLES

Use these tables to get results for different color temperatures and CRI for all Direct and Indirect photometric tables.

Multiplier - CCT/CRI

CCT (K)	Watts		LPW	
	CRI80	CRI90	CRI80	CRI90
2700	1.05	1.26	0.95	0.79
3000	1.01	1.23	0.99	0.81
3500	1.00	1.20	1.00	0.84
4000	1.00	1.17	1.00	0.85

DIRECT/INDIRECT - LPW CALCULATION

For Direct/Indirect performance values, follow the formula.

$$\left(\frac{\text{DIRECT LM/FT} + \text{INDIRECT LM/FT}}{\text{DIRECT W/FT} + \text{INDIRECT W/FT}} \right) = \text{LPW}$$

CURVIA 3

SHAPES

PENDANT - SURFACE - RECESSED

LUMENWERX

Technical Specifications

OPTICS

High-Efficiency Lambertian Optic (HLO)

Lumenwerx's High-Efficiency Lambertian Optic is engineered with reflective sidewalls that distribute LED output across acrylic shielding. To negotiate the curves of Lumenwerx rounded fixtures, the HLO is equipped with proprietary SupremeGrip™ technology, which keeps the optic securely in place.

LIGHT SOURCE

Custom array of mid-flux LEDs are cartridge-mounted with quick-connect wiring to facilitate service and thermal management. Available in 2700K, 3000K, 3500K and 4000K with a minimum 80 CRI and an option for 90 CRI with elevated R9 value. Color consistency maintained to within 3 SDCM. LEDs operate at reduced drive current to optimize efficacy and lumen maintenance. All LEDs have been tested in accordance with IESNA LM-80-08 and the results have shown L80 lumen maintenance greater than 60,000 hours. Absolute product photometry is measured and presented in accordance with IESNA LM-79, unless otherwise indicated.

ELECTRICAL

Factory-set, adjustable output current LED driver with universal (120-277VAC) input. Dimmable from 100% to 1% with 0-10V dimming control. Rated life (90% survivorship) of 50,000 hours at 50°C max. ambient (and 70°C max. case) temperature. At maximum driver load: Efficiency > 84%, PF > 0.9, THD < 20%. Other specifiable options include Lutron Hi-Lume 1% (specify 2-wire, or Ecosystem Dim-to-Off), eldoLED 1% ECOdrive 0-10V, eldoLED 0.1% SOLOdrive 0-10V, and DALI protocol drivers. All of our standard 0-10V drivers are NEMA 410 compliant.

PoE

Depending on the PoE manufacturer selected, Lumenwerx will install the node in factory as either integral to the luminaire or as a remote module. Factory programming of the PoE node may or may not enable the following functionalities: lumen package, emergency battery backup, and sensor integration. These must be addressed and evaluated on a case-by-case basis.

Battery

Factory installed long life, high temperature, maintenance-free Lithium-Ion battery pack with self-test functionality, test switch and charge indicator. Minimum of 90 minutes operation, up to 1000 lumens per 4' (25°C) emergency lighting output and recharge time of 24 hours.

MOUNTING OPTION

Pendant

Pendant fixtures can be mounted either with aircraft cable or with stem.

Surface

Fixtures can be mounted directly to drywall and hard surface ceilings, hardware supplied by others. A minimum distance of 6" from the vertical wall is required.

Recessed

Recessed fixtures can be mounted in drywall ceilings with trim or mud flange options.

FINISH

Interior - 95%, reflective matte powder coated white paint.

Exterior - Matte white, matte black or aluminum powder coating. Custom finishes are also available.

CONSTRUCTION

Housing - Extruded aluminum and aluminum sheet, up to 90% recycled content

Reflectors - Aluminum

HLO - Acrylic and polycarbonate

Hanger - Chromed griplock securely attached with spring steel hardware in end caps and/or joiners

Aircraft cable suspension - 7x7 braids aluminum aircraft cable 0.06" thick

Stem - 0.5" diameter threaded steel tube matte white or aluminum powder coating. Custom finishes are also available.

CERTIFICATIONS

ETL - Rated for Indoor dry/damp locations. Conforms to UL Standard 1598 and certified to CAN/CSA Standard C22.2 No. 250.0.

IC rated - Suitable for direct contact with insulation. For Recessed mounting only.

WARRANTY

Lumenwerx provides a five-year limited warranty on electrical and mechanical performance of the luminaires, including the LED boards, drivers, and auxiliary electronics. Lumenwerx will repair or replace defective luminaires or components at our discretion, provided they have been installed and operated in accordance with our specifications. Other limitations apply, please refer to the full warranty on our website.