

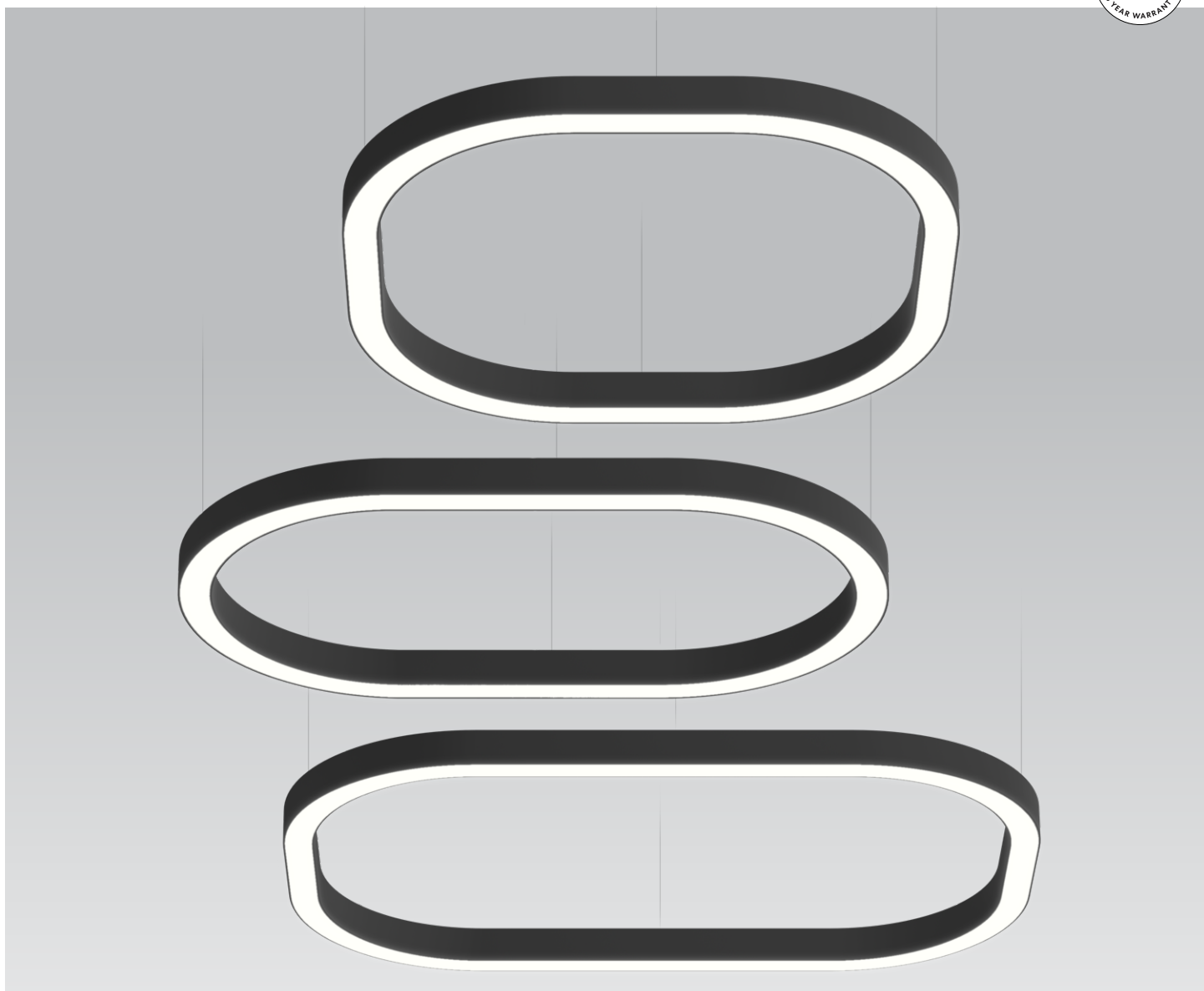
# CURVIA 3

SHAPES

PENDANT - RECESSED - SURFACE



Declare.



Our extensive Curvia family illuminates with elegant curvilinear shapes and patterns, enhancing spaces with a soft touch and a graceful sense of movement. Available in various mounting options and sizes, Curvia luminaires feature a unique, sophisticated aesthetic that complements their technical prowess in delivering precise, powerful, and comfortable lighting solutions.

**SENSORS**  
For latest information on sensors, click [here](#).



Curvia Additions Brochure

## Curvia Family (Refer to other spec sheets)

Curvia Mini  
1"



Ring

Curvia Prism  
2"



Ring  
Shapes  
Pattern

Curvia  
2", 3", 4"



Ring  
Shapes  
Pattern

Curvia XYZ  
2", 3"



Pattern

Curvia Horizon  
2", 3"



Ring  
Shapes

Curvia Perimeter  
2", 3", 4", 5"



Pattern

Curvia Seal  
Perimeter  
2", 3", 4"



Pattern

Curvia Seal  
2", 3", 4"



Ring  
Shapes  
Pattern

Curvia Acoustix  
2"



Ring  
Shapes  
Pattern

3737 Cote Vertu St-Laurent, Quebec, Canada H4R 2C9  
T (514) 225-4304 F (514) 931-4862

[www.lumenwerx.com](http://www.lumenwerx.com)



Lumenwerx reserves the right to modify product specifications without notification.

© Lumenwerx, ULC. All rights reserved.

CURVIA3-SHAPES-SPEC-REV3 November 15, 2024

# CURVIA 3

## SHAPES

### PENDANT - RECESSED - SURFACE



Project: \_\_\_\_\_

Type: \_\_\_\_\_

## Order Guide

LUMINAIRE ID	DISTRIB.	SIZE <sup>2</sup>	CORNER RADIUS Specify NA for capsule	DIRECT OPTIC	INDIRECT OPTIC Specify NA for Direct fixture	LIGHT SOURCE <sup>8</sup>
<b>SQUARE</b> <b>CURV3SQP</b> - Curvia 3" Square Pendant <b>CURV3SQR</b> - Curvia 3" Square Recessed <b>CURV3SQS</b> - Curvia 3" Square Surface  <b>RECTANGLE</b> <b>CURV3REP</b> - Curvia 3" Rectangle Pendant <b>CURV3RER</b> - Curvia 3" Rectangle Recessed <b>CURV3RES</b> - Curvia 3" Rectangle Surface  <b>CAPSULE</b> <b>CURV3CAP</b> - Curvia 3" Capsule Pendant <b>CURV3CAR</b> - Curvia 3" Capsule Recessed <b>CURV3CAS</b> - Curvia 3" Capsule Surface	<b>DI</b> <sup>1</sup> - Direct/Indirect <b>D</b> - Direct  <sup>1</sup> Available for pendant mounting only.	<b>#FT#INX#FT#IN</b> <sup>3,4</sup> - Overall length X overall width  <sup>2</sup> The real dimension of the fixture can differ up to 2.5" from the nominal size. <sup>3</sup> Specify nominal length (#) and width (#) in 1" and/or 1" increments. <sup>4</sup> Minimum size: Square 4' x 4'; Rectangle 4' x 6'; and Capsule 3' x 4'.	<b>R12</b> - 12" radius <b>R18</b> - 18" radius <b>R24</b> - 24" radius <b>R30</b> - 30" radius <b>R36</b> - 36" radius <b>Rxx</b> <sup>5</sup> - Custom radius in inches <b>NA</b> <sup>6</sup> - Not applicable  <sup>5</sup> Minimum radius is 8". Consult factory for smaller radii. <sup>6</sup> For capsule, radius is defined by size.	<b>HLO</b> - High-Efficiency Lambertian Optic <b>AOO</b> <sup>7</sup> - Asymmetric Opal Optic  <sup>7</sup> Direction of light must be indicated on RCP/lighting plans.	<b>HLO</b> - High-Efficiency Lambertian Optic <b>NA</b> - Not applicable	<b>SW</b> - Static white <b>FS</b> - Full spectrum  <sup>8</sup> Chromawerx SOLA, DUO, and QUADRO also available. Consult factory.

CRI	DIRECT LUMEN PACKAGE <sup>11</sup>	INDIRECT LUMEN PACKAGE <sup>13</sup> Specify NA for Direct fixture	COLOR TEMPERATURE	VOLTAGE
<b>80CRI</b> <sup>9</sup> - 80 CRI <b>90CRI</b> <sup>9</sup> - 90 CRI <b>95CRI</b> <sup>10</sup> - 95 CRI  <sup>9</sup> Not available with full spectrum. <sup>10</sup> Not available with static white.	<b>350LMF</b> - Eco low output 350 lm/ft <b>500LMF</b> - Low output 500 lm/ft <b>750LMF</b> - Medium output 750 lm/ft <b>1000LMF</b> <sup>12</sup> - High output 1000 lm/ft  <sup>11</sup> To calculate the total lumens, multiply the lumen package (lm/ft) by the length of the shape (ft). <sup>12</sup> Not available with full spectrum.	<b>350LMF</b> - Eco low output 350 lm/ft <b>500LMF</b> - Low output 500 lm/ft <b>750LMF</b> - Medium output 750 lm/ft <b>1000LMF</b> <sup>14</sup> - High output 1000 lm/ft <b>NA</b> - Not applicable  <sup>13</sup> To calculate the total lumens, multiply the lumen package (lm/ft) by the length of the shape (ft). <sup>14</sup> Not available with full spectrum.	<b>27K</b> - 2700K <b>30K</b> - 3000K <b>35K</b> - 3500K <b>40K</b> - 4000K <b>50K</b> - 5000K	<b>120V</b> - 120V <b>277V</b> - 277V <b>UNV</b> - 120V-277V <b>347V</b> <sup>15</sup> - 347V  <sup>15</sup> Available with DI driver only. Subject to factory evaluation.

DRIVER <sup>16</sup>	ELECTRICAL	ELECTRICAL SECTIONS (optional) <sup>24, 25</sup>
<b>DI</b> <sup>17</sup> - 1% 0-10V <b>ELV</b> <sup>17</sup> - ELV 120V <b>TRI</b> <sup>17</sup> - TRIAC 120V <b>DA</b> <sup>18</sup> - DALI <b>LDE1</b> <sup>18</sup> - Lutron Hi-Lume 1% Eco <b>ELD1</b> - eldoLED 1% ECOdrive 0-10V <b>ELDO</b> - eldoLED 0.1% SOLOdrive 0-10V  <sup>16</sup> Integral or remote subject to factory evaluation. Code will be updated with prefix "R" if factory determines driver to be remote. <sup>17</sup> Available with 120V only. <sup>18</sup> On-site commissioning is required.	<b>1C</b> - 1 circuit <b>2C</b> <sup>19</sup> - 2 circuits <b>#MC</b> <sup>20</sup> - Multi circuit <b>EC</b> - Emergency-powered fixture <b>NL</b> - Night light fixture <b>DL</b> - Daylight fixture <b>GTD</b> <sup>21, 22, 23</sup> - Generator transfer device fixture  <sup>19</sup> Available for Direct/Indirect only. Separate direct and indirect circuits. <sup>20</sup> Specify total number of circuits (#), including any required for electrical section options. Provide drawing or layout specifications. Minimum 4' section per circuit for integral drivers. <sup>21</sup> Integral or remote subject to factory evaluation. GTD must be housed with the driver. <sup>22</sup> Not available with 347V. <sup>23</sup> Minimum 12" radius for integral GTD.	<b>#EC##</b> <sup>26</sup> - Emergency-powered section <b>#NL##</b> <sup>26</sup> - Night light section <b>#DL##</b> <sup>26</sup> - Daylight section <b>#GTD##</b> <sup>26, 27, 28, 29</sup> - Generator transfer device section <b>#EMB</b> <sup>27, 28, 30, 31</sup> - Emergency battery <b>NA</b> - None  <sup>24</sup> Specify with multi circuit (#MC) electrical option only. <sup>25</sup> Provide drawing or layout specifications. Consult factory for other configurations. Default section length is 4'. <sup>26</sup> Specify quantity (#), and section length in inches (##). <sup>27</sup> Integral or remote subject to factory evaluation. GTD/EMB must be housed with the driver. <sup>28</sup> Not available with 347V. <sup>29</sup> Minimum 12" radius for integral GTD. <sup>30</sup> Specify quantity (#). Each battery powers a 4' linear section. Minimum length of linear section is 5' for Direct and 8' for Direct/Indirect. <sup>31</sup> All batteries will be on the same circuit and power the direct LEDs.

MOUNTING <sup>32</sup>	FINISH	OPTIONS <sup>34</sup>
<b>PENDANT</b> <sup>33</sup>  <b>ACS</b> - Aircraft cable, standard <b>STS</b> - Stem, standard <b>ACC()</b> - Aircraft cable, custom <b>STC()</b> - Stem, custom  <sup>32</sup> The mounting options selected must reflect the luminaire ID. <sup>33</sup> Standard canopies are black for black fixtures, and white for all other finishes. See page 3 for full details on standard and custom options.	<b>RECESSED</b> <b>DTR</b> - Drywall trim <b>DMF</b> - Drywall mud flange  <b>SURFACE</b> <b>DRC</b> - Drywall ceiling	<b>W</b> - Matte white <b>AL</b> - Aluminum <b>B</b> - Matte black <b>CF#</b> - Custom finish, specify RAL#  <b>FUI20</b> - Fuse 120V <b>FU277</b> - Fuse 277V <b>CTB9</b> <sup>35</sup> - T-bar caddy clip, 9/16" <b>CTB15</b> <sup>35</sup> - T-bar caddy clip, 15/16" <b>CTC9</b> <sup>35</sup> - Tegular caddy clip, 9/16"  <b>CTG15</b> <sup>35</sup> - Tegular caddy clip, 15/16" <b>CST</b> <sup>35</sup> - Screw slot caddy clip <b>FWC</b> <sup>36</sup> - Flexible whip cable (6' std) <b>CP</b> <sup>36</sup> - Chicago Plenum <b>NA</b> - None  <sup>34</sup> Separate codes with a "+" if more than one is specified. <sup>35</sup> Available with pendant mounting aircraft cable option only. <sup>36</sup> Available with recessed mounting only.



# CURVIA 3

## SHAPES

PENDANT - RECESSED - SURFACE



## Pendant Mounting Code

### Aircraft Cable

#### Standard

##### ACS - Aircraft cable, standard

- Ø 5" for power canopy
- Ø 3" for non-power canopy
- Canopies are black for black fixtures, and white for all other fixture finishes
- Power cord is black for black fixtures, and white for all other fixture finishes
- Aircraft cable length is 36"

#### Custom

Example: ACC(3NPC-72IN-W-PCB-SLC)

##### ACC( ) - Aircraft cable, custom

NON-POWER CANOPY SIZE	AIRCRAFT CABLE LENGTH	CANOPY FINISH	POWER CORD COLOR	OPTIONS
<b>3NPC</b> - Ø 3" non-power canopy <b>5NPC</b> - Ø 5" non-power canopy	<b>36IN</b> - 36" <b>72IN</b> - 72" <b>120IN</b> - 120" <b>#IN</b> <sup>1</sup> - Other lengths, specify in inches <small><sup>1</sup>Maximum length is 288". For longer lengths, please consult factory.</small>	<b>W</b> - Matte white <b>AL</b> - Aluminum <b>B</b> - Matte black <b>CF#</b> - Custom finish, specify RAL#	<b>PCW</b> - White <b>PCB</b> - Black	<b>SEM</b> - Seismic mounting <b>SLC</b> - Sloped ceiling for aircraft cable <b>NA</b> - None

### Stem

#### Standard

##### STS - Stem, standard

- Ø 5" for power canopy
- Ø 5" for non-power canopy
- Canopies are black for black fixtures, and white for all other fixture finishes
- Stem finish is the same color as fixture
- Stem length is 18"
- Stem is not field adjustable

#### Custom

Example: STC(5NPC-36IN-W-STW-SLS)

##### STC( ) - Stem, custom

NON-POWER CANOPY SIZE	STEM LENGTH	CANOPY FINISH	STEM COLOR	OPTIONS
<b>5NPC</b> - Ø 5" non-power canopy	<b>18IN</b> - 18" <b>36IN</b> - 36" <b>#IN</b> <sup>2</sup> - Specify length in inches <small><sup>2</sup>Minimum length is 6". Maximum length is 72". Stem is not field adjustable.</small>	<b>W</b> - Matte white <b>AL</b> - Aluminum <b>B</b> - Matte black <b>CF#</b> - Custom finish, specify RAL#	<b>STW</b> - Matte white <b>STAL</b> - Aluminum <b>STB</b> - Matte black <b>STCF#</b> - Custom finish, specify RAL#	<b>SLS</b> - Sloped ceiling for stem <b>NA</b> - None

# CURVIA 3

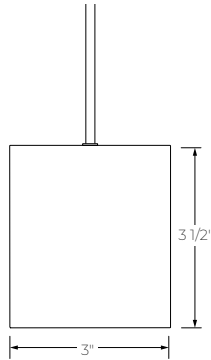
## SHAPES

### PENDANT - RECESSED - SURFACE

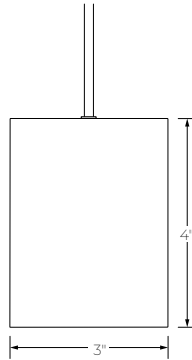


## Dimensions

### PENDANT

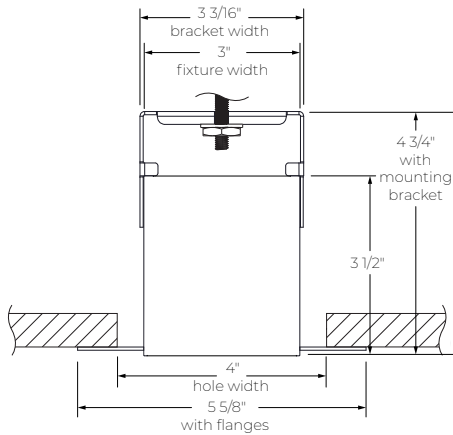


DIRECT

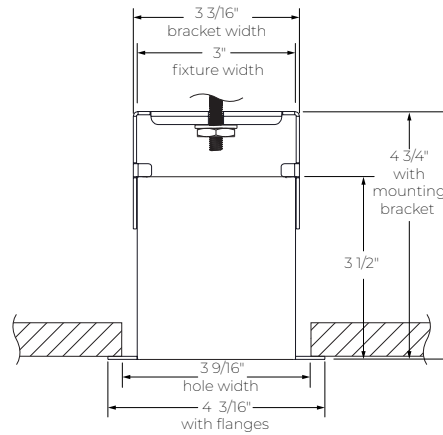


DIRECT/INDIRECT

### RECESSED

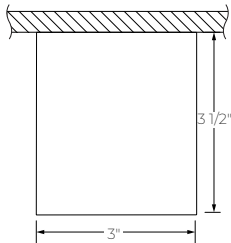


DMF - Drywall mud flange



MTR - Trim

### SURFACE



DRC - Drywall ceiling

# CURVIA 3

## SHAPES

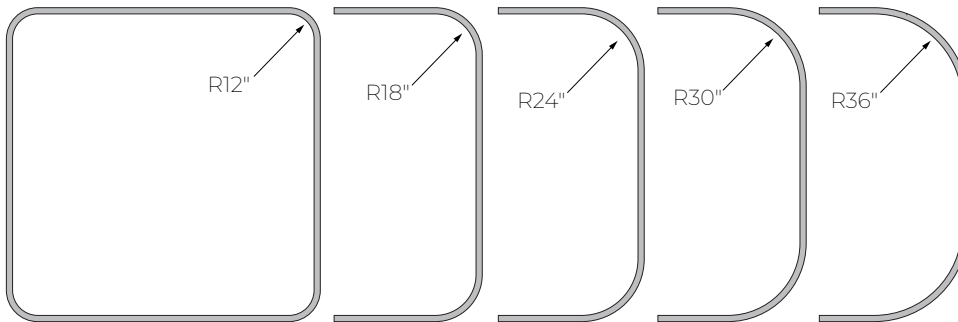
PENDANT - RECESSED - SURFACE



### Shapes

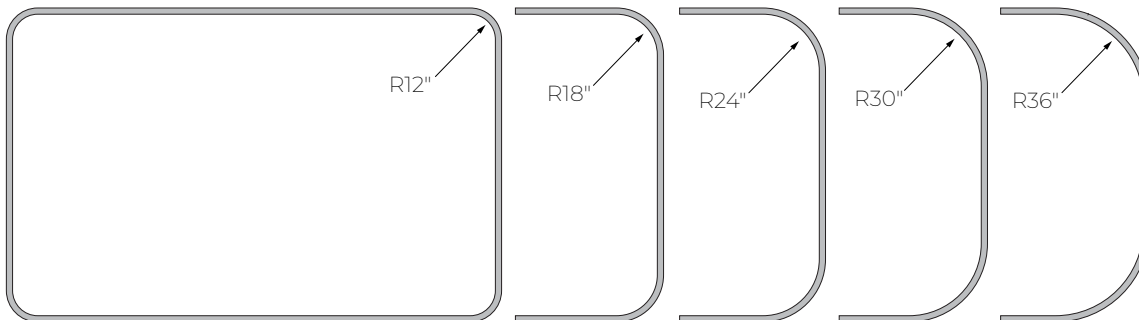
#### SQUARE SHAPE

RADIUS: 12", 18", 24", 30", 36"



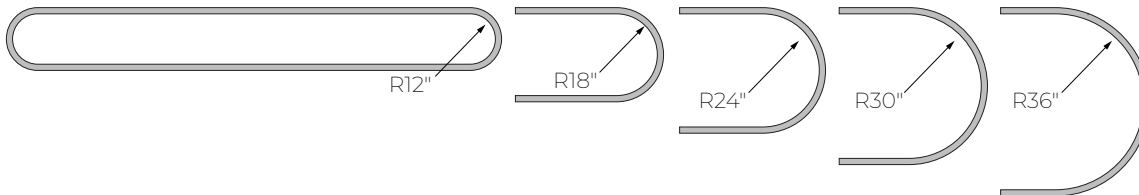
#### RECTANGLE SHAPE

RADIUS: 12", 18", 24", 30", 36"



#### CAPSULE SHAPE

RADIUS: 12", 18", 24", 30", 36"



Configuration diagrams are not to scale. For visualization purposes only.

# CURVIA 3

## SHAPES

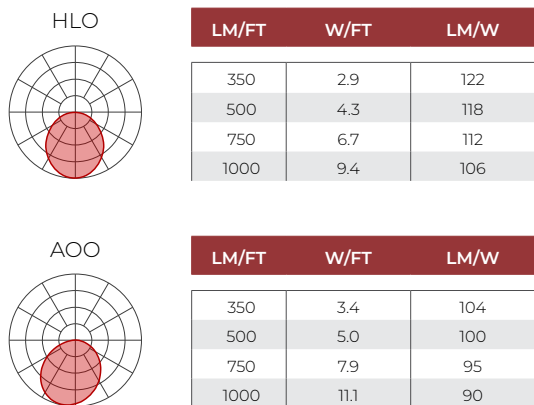
PENDANT - RECESSED - SURFACE



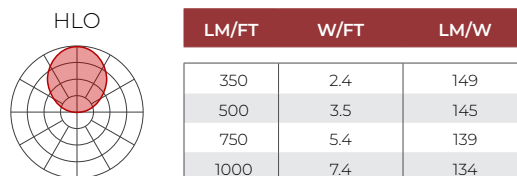
### Photometrics

Values calculated based on Curvia 3 Ring Ø 2' at 3500K and 80 CRI for all optics.

#### DIRECT OPTICS



#### INDIRECT OPTIC



#### MULTIPLIER TABLES

Use these tables to get results for different color temperatures and CRI for all Direct and Indirect photometric tables.

##### Multiplier - CCT/CRI

CCT	WATTS		LPW	
	80 CRI	90 CRI	80 CRI	90 CRI
2700K	1.05	1.27	0.95	0.79
3000K	1.02	1.23	0.98	0.81
3500K	1.00	1.19	1.00	0.84
4000K	1.00	1.19	1.00	0.84
5000K	0.96	1.12	1.04	0.89

#### DIRECT/INDIRECT - LPW CALCULATION

For Direct/Indirect performance values, follow the formula.

$$\left( \frac{\text{DIRECT LM/FT} + \text{INDIRECT LM/FT}}{\text{DIRECT W/FT} + \text{INDIRECT W/FT}} \right) = \text{LPW}$$



# CURVIA 3

## SHAPES

PENDANT - RECESSED - SURFACE



## Technical Specifications

### OPTICS

#### High-Efficiency Lambertian Optic (HLO)

Lumenwerx's High-Efficiency Lambertian Optic is engineered with reflective sidewalls that distribute LED output across acrylic shielding. To negotiate the curves of Lumenwerx rounded fixtures, the HLO is equipped with proprietary SupremeGrip™ technology, which keeps the optic securely in place.

#### Asymmetric Opal Optic (AOO)

The Asymmetric Opal Optic (AOO) provides targeted illumination while diffusing light evenly, minimizing glare and spill. Its design creates a soft, inviting ambiance, making it ideal for architectural and accent lighting in modern spaces.

### LIGHT SOURCE

#### Static white

Custom array of mid-flux LEDs are cartridge-mounted with quick-connect wiring to facilitate service and thermal management. Available in 2700K, 3000K, 3500K, 4000K, and 5000K with a minimum 80 CRI and an option for 90 CRI with elevated R9 value. Color consistency maintained to within 3 SDCM. LEDs operate at reduced drive current to optimize efficacy and lumen maintenance. All LEDs have been tested in accordance with IESNA LM-80-08 and the results have shown L80 lumen maintenance greater than 60,000 hours. Absolute product photometry is measured and presented in accordance with IESNA LM-79, unless otherwise indicated.

#### Full spectrum

The full spectrum LED option offers improved color particularly in the cyan region that is beneficial in both healthcare and circadian lighting strategies. The cyan region in full spectrum LED is richer at the 480 nm range.

### ELECTRICAL

Factory-set, adjustable output current LED driver with universal (120-277 VAC) input. Dimmable from 100% to 1% with 0-10V dimming control. Rated life (90% survivorship) of 50,000 hours at 50°C max. ambient (and 70°C max. case) temperature. At maximum driver load: Efficiency > 84%, PF > 0.9, THD < 20%. Other specifiable options include Lutron Hi-Lume 1% Eco, eldoLED 1% ECOdrive 0-10V, eldoLED 0.1% SOLOdrive 0-10V, ELV, TRIAC, and DALI protocol drivers. All of our standard 0-10V drivers are NEMA 410 compliant.

### PoE

Depending on the PoE manufacturer selected, Lumenwerx will install the node in factory as either integral to the luminaire or as a remote module. Factory programming of the PoE node may or may not enable the following functionalities: lumen package, DUO (tunable white), QUADRO (RGBW), emergency battery backup, and sensor integration. These must be addressed and evaluated on a case-by-case basis.

### Battery

Factory installed long life, high temperature, maintenance-free Lithium-Ion battery pack with self-test functionality, test switch and charge indicator. Minimum of 90 minutes operation, up to 1000 lumens per 4' (25°C) emergency lighting output and recharge time of 24 hours.

### MOUNTING

**Pendant:** Pendant fixtures can be mounted either with aircraft cable or with stem.

**Recessed:** Recessed fixtures can be mounted in drywall ceilings with trim or mud flange options.

**Surface:** Surface fixtures can be mounted directly to drywall and hard surface ceilings, hardware supplied by others. A minimum of 6" from the vertical wall is required.

### FINISH

**Interior:** 95%, reflective matte powder coated white paint.

**Exterior:** Matte white, matte black or aluminum powder coating. Custom finishes are also available.

### CONSTRUCTION

**Housing:** Extruded aluminum and aluminum sheet, up to 90% recycled content

**Reflectors:** Aluminum

**Lens:** Acrylic

**Hanger:** Chromed griplock securely attached with spring steel hardware in end caps and/or joiners

**Aircraft cable suspension:** Ø 1/16" stainless steel aircraft cable

**Stem:** Ø 1/2" threaded steel tube

### WEIGHT

**Pendant Direct:** 2.25 lb/ft - 1.02 kg/ft

**Pendant Direct/Indirect:** 2.8 lb/ft - 1.27 kg/ft

**Recessed:** 2.8 lb/ft - 1.27 kg/ft

**Surface** 2.25 lb/ft - 1.02 kg/ft

# CURVIA 3

## SHAPES

PENDANT - RECESSED - SURFACE



### CERTIFICATIONS

**ETL:** Rated for indoor dry/damp locations. Conforms to UL Standard 1598 and certified to CAN/CSA Standard C22.2 No. 250.0.

**IC rated:** Suitable for direct contact with insulation. For Recessed mounting only.

**Declare:** [LBC Red List Approved](#)

### WARRANTY

Lumenwerx provides a five-year limited warranty on electrical and mechanical performance of the luminaires, including the LED boards, drivers, and auxiliary electronics. Lumenwerx will repair or replace defective luminaires or components at our discretion, provided they have been installed and operated in accordance with our specifications. Other limitations apply, please refer to the full warranty on our website.